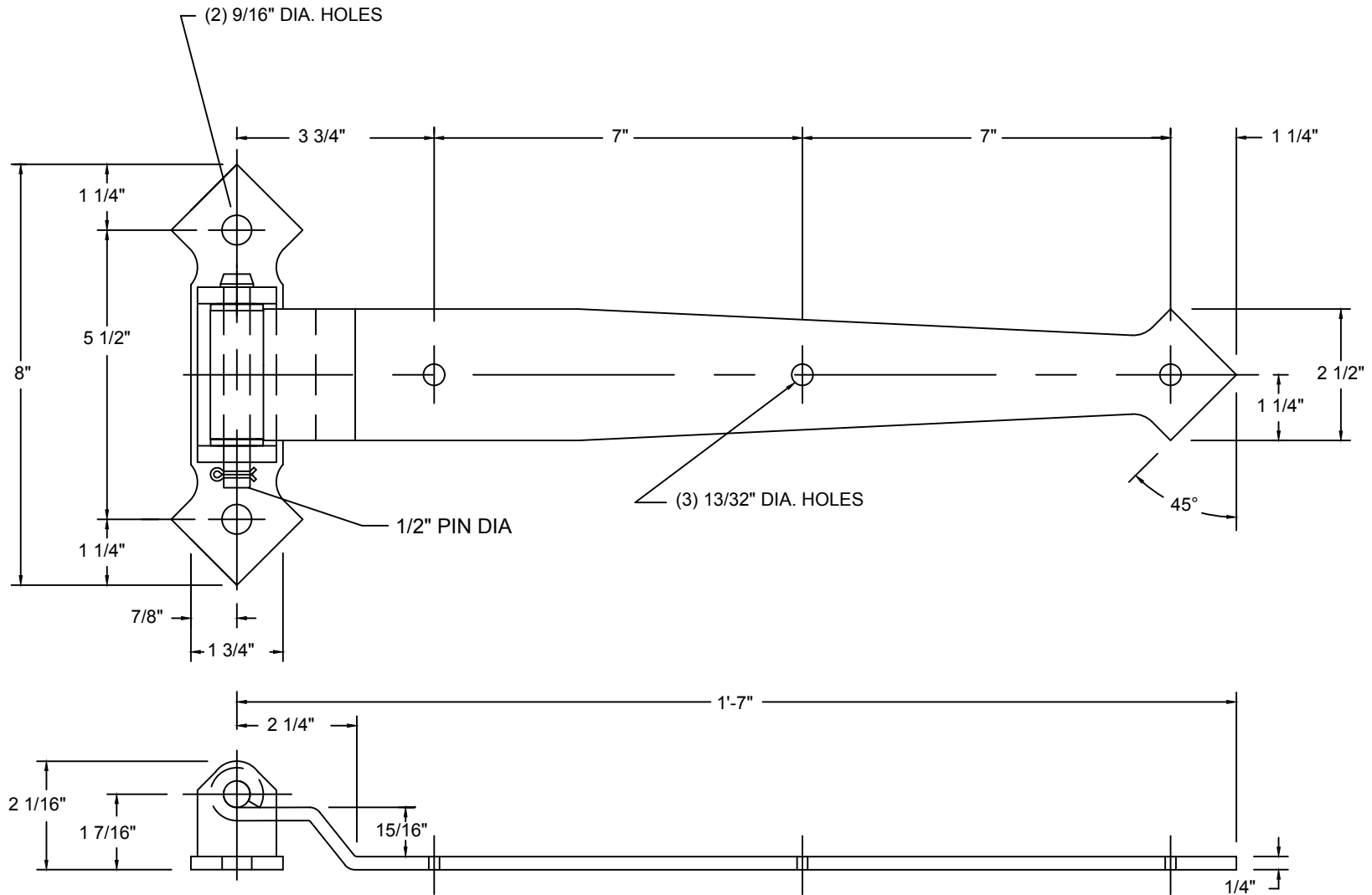
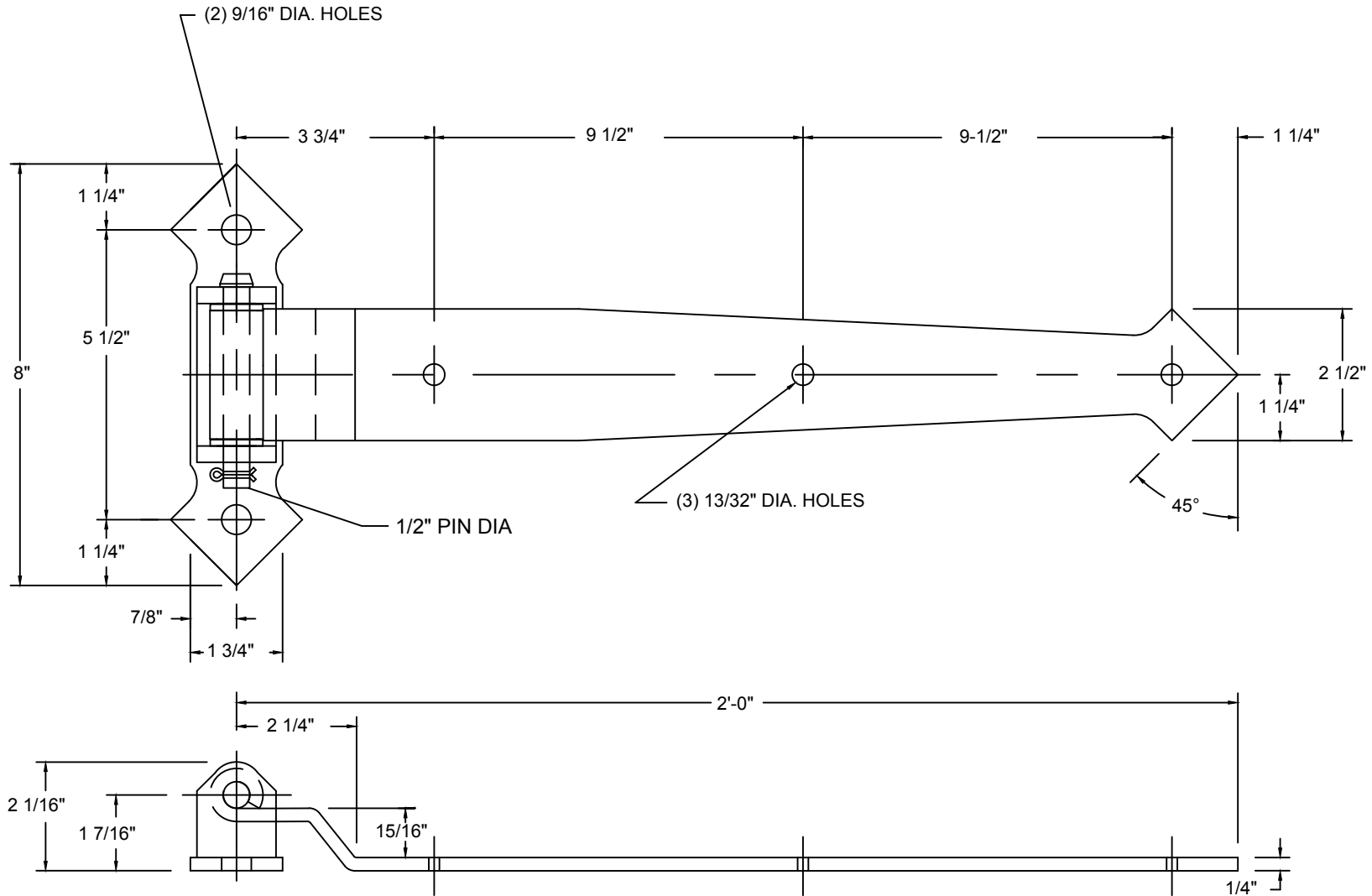


REVISIONS			
REV.	DESCRIPTION	DATE	APPROVED



REVISIONS			
REV.	DESCRIPTION	DATE	APPROVED



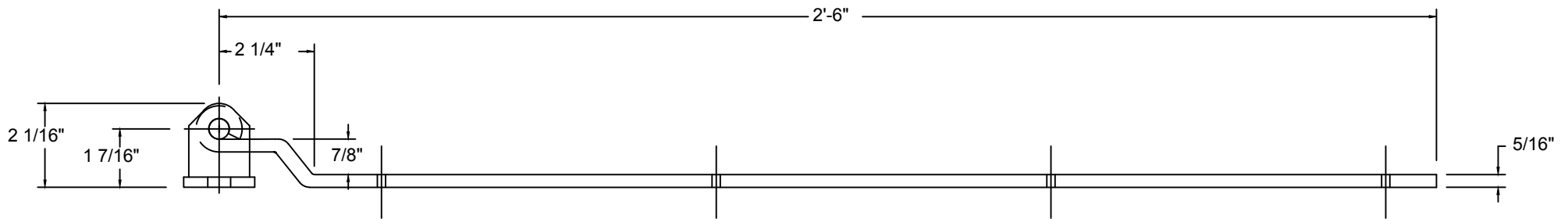
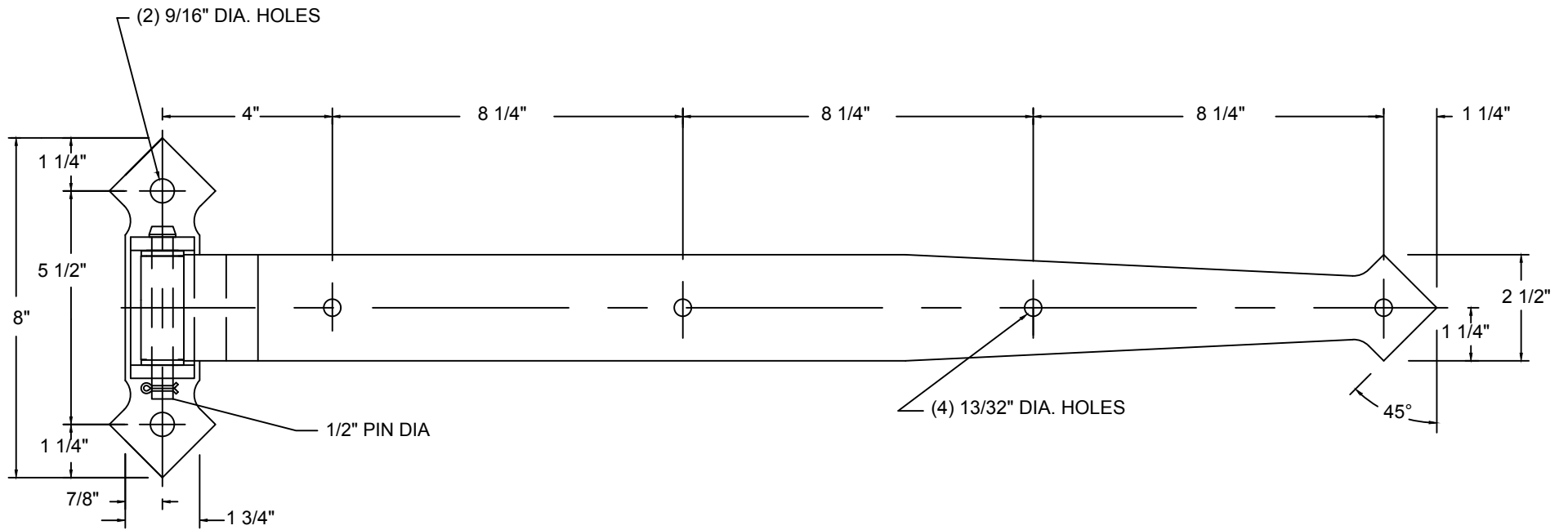
DWG #9035-DEC24DB  
 DESCRIP: Decorative Hinge, Disc Bearing  
 DRAWN:BCM  
 SHEET # 1  
 FILE:z:\website\website pictures\new-bcm\dwg\9035-dec24db

THE INFORMATION CONTAINED IN THIS DRAWING IS THE SOLE PROPERTY OF CROWN INDUSTRIAL. ANY REPRODUCTION IN PART OR AS A WHOLE WITHOUT WRITTEN PERMISSION OF CROWN INDUSTRIAL IS PROHIBITED.



**CROWN INDUSTRIAL**  
 So. San Francisco, Ca  
 (650) 952-5150  
 www.crown-industrial.com

REVISIONS			
REV.	DESCRIPTION	DATE	APPROVED



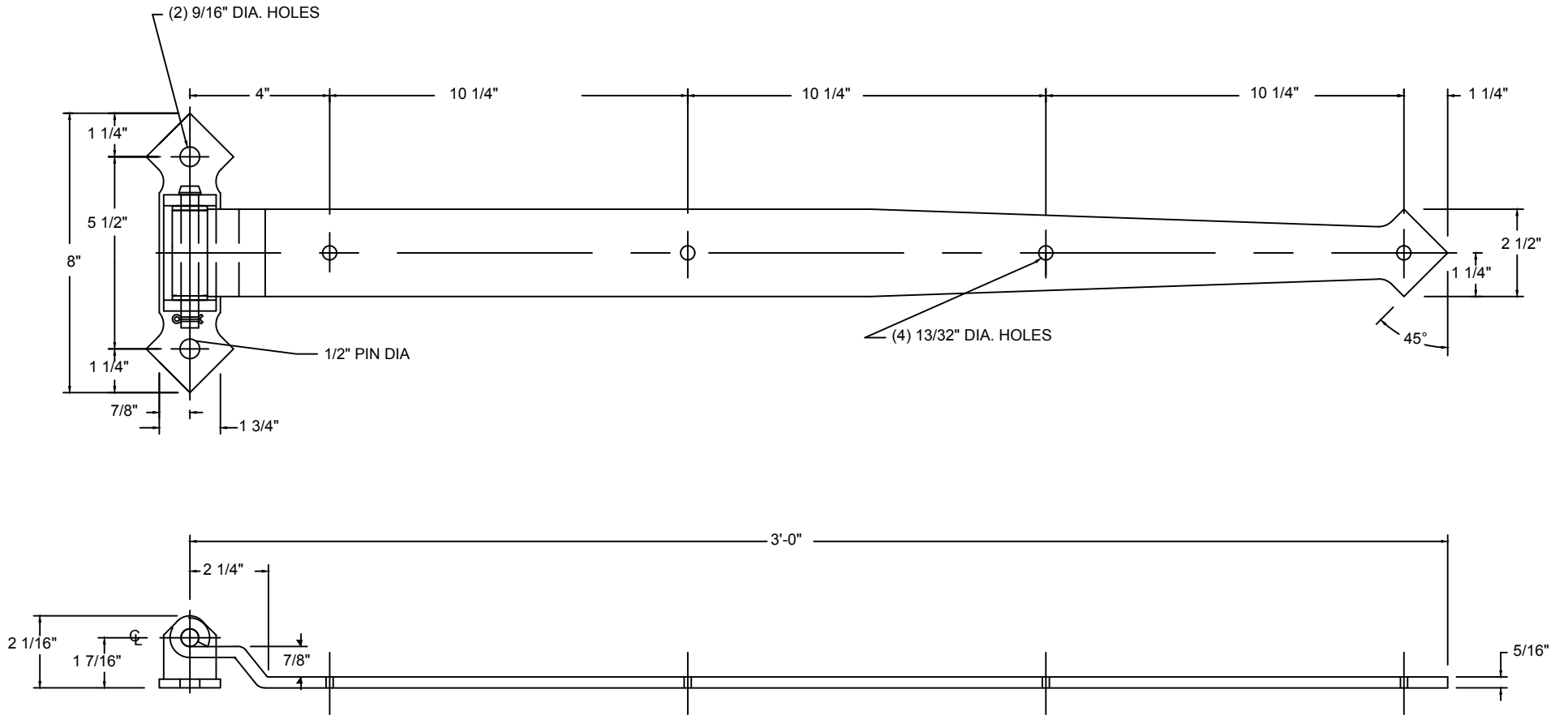
DWG #9035-DEC30DB  
 DESCRIP: Decorative Hinge, Disc Bearing  
 DRAWN:BCM  
 SHEET # 1  
 FILE: \\crown-fs\main\engineering\hardware\hinges\9035\decorative\9035-dec30db

THE INFORMATION CONTAINED IN THIS DRAWING IS THE SOLE PROPERTY OF CROWN INDUSTRIAL. ANY REPRODUCTION IN PART OR AS A WHOLE WITHOUT WRITTEN PERMISSION OF CROWN INDUSTRIAL IS PROHIBITED.



**CROWN INDUSTRIAL**  
 So. San Francisco, Ca  
 (650) 952-5150  
 www.crown-industrial.com

REVISIONS			
REV.	DESCRIPTION	DATE	APPROVED



DWG #9035-DEC36DB  
 DESCRIP: Decorative Hinge, Disc Bearing  
 DRAWN:BCM  
 SHEET # 1

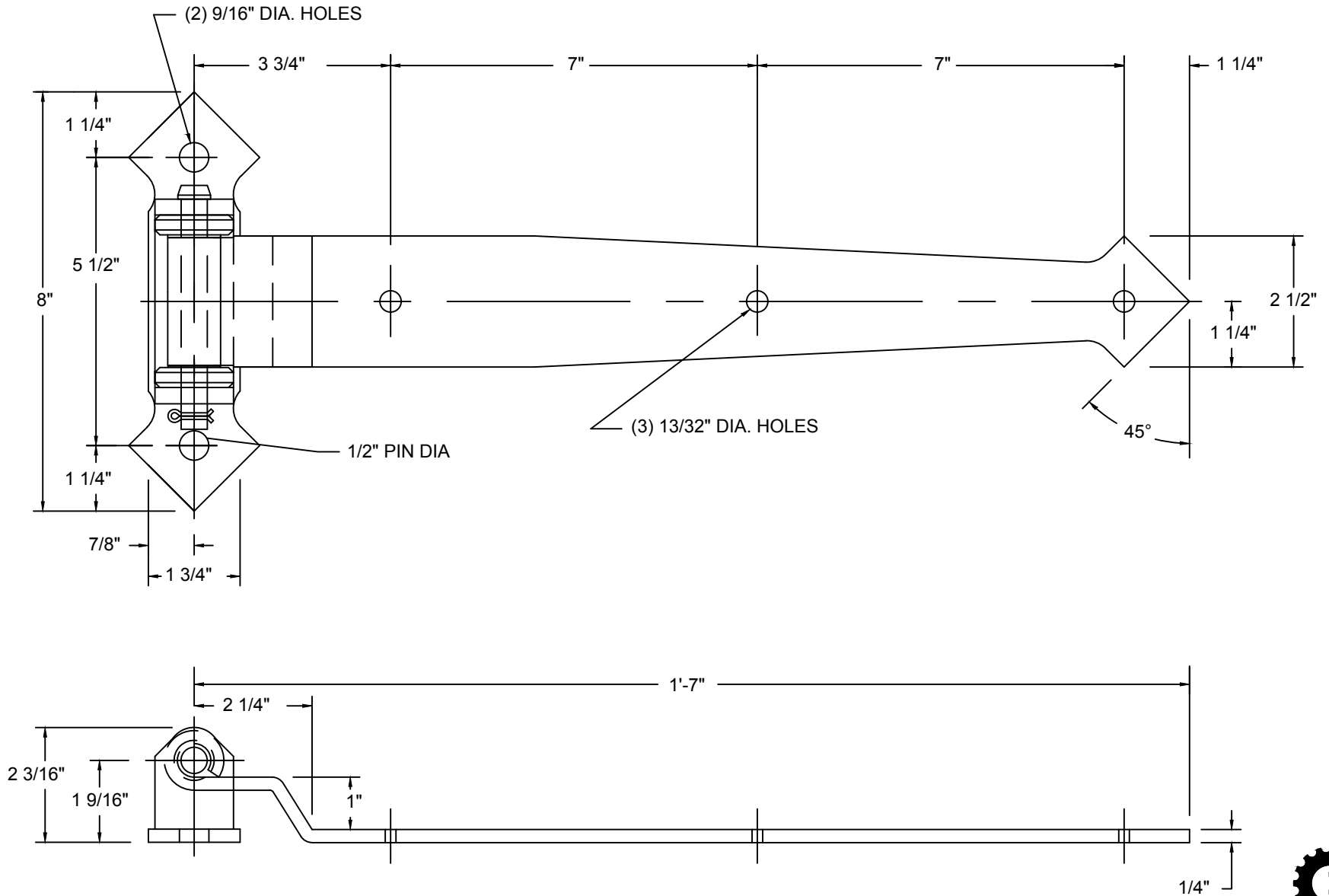
FILE: \\crown-fs\main\engineering\hardware\hinges\9035\decorative\9035dec36db

THE INFORMATION CONTAINED IN THIS DRAWING IS THE SOLE PROPERTY OF CROWN INDUSTRIAL. ANY REPRODUCTION IN PART OR AS A WHOLE WITHOUT WRITTEN PERMISSION OF CROWN INDUSTRIAL IS PROHIBITED.

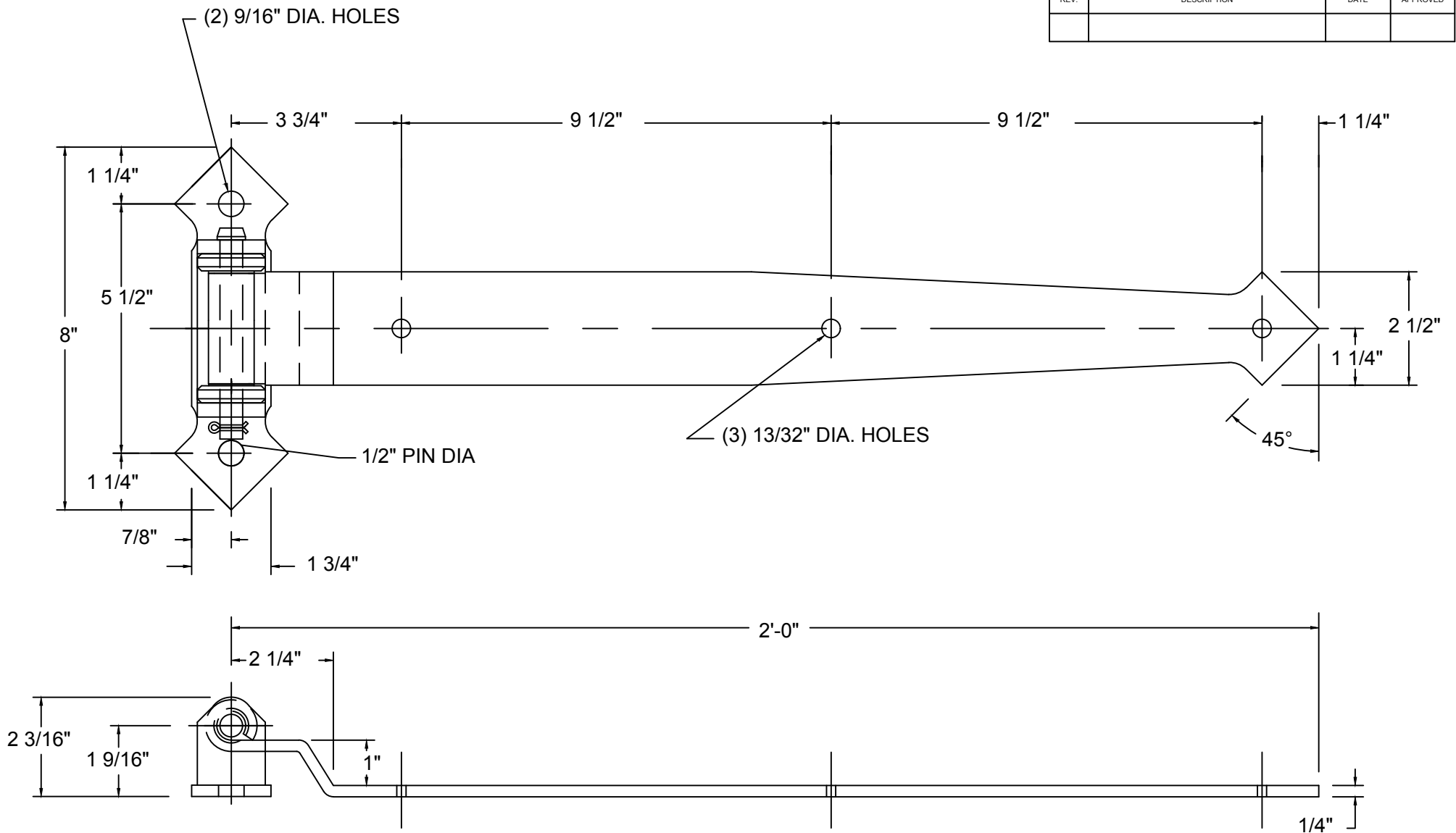


**CROWN INDUSTRIAL**  
 So. San Francisco, Ca  
 (650) 952-5150  
 www.crown-industrial.com

REVISIONS			
REV.	DESCRIPTION	DATE	APPROVED



REVISIONS			
REV.	DESCRIPTION	DATE	APPROVED



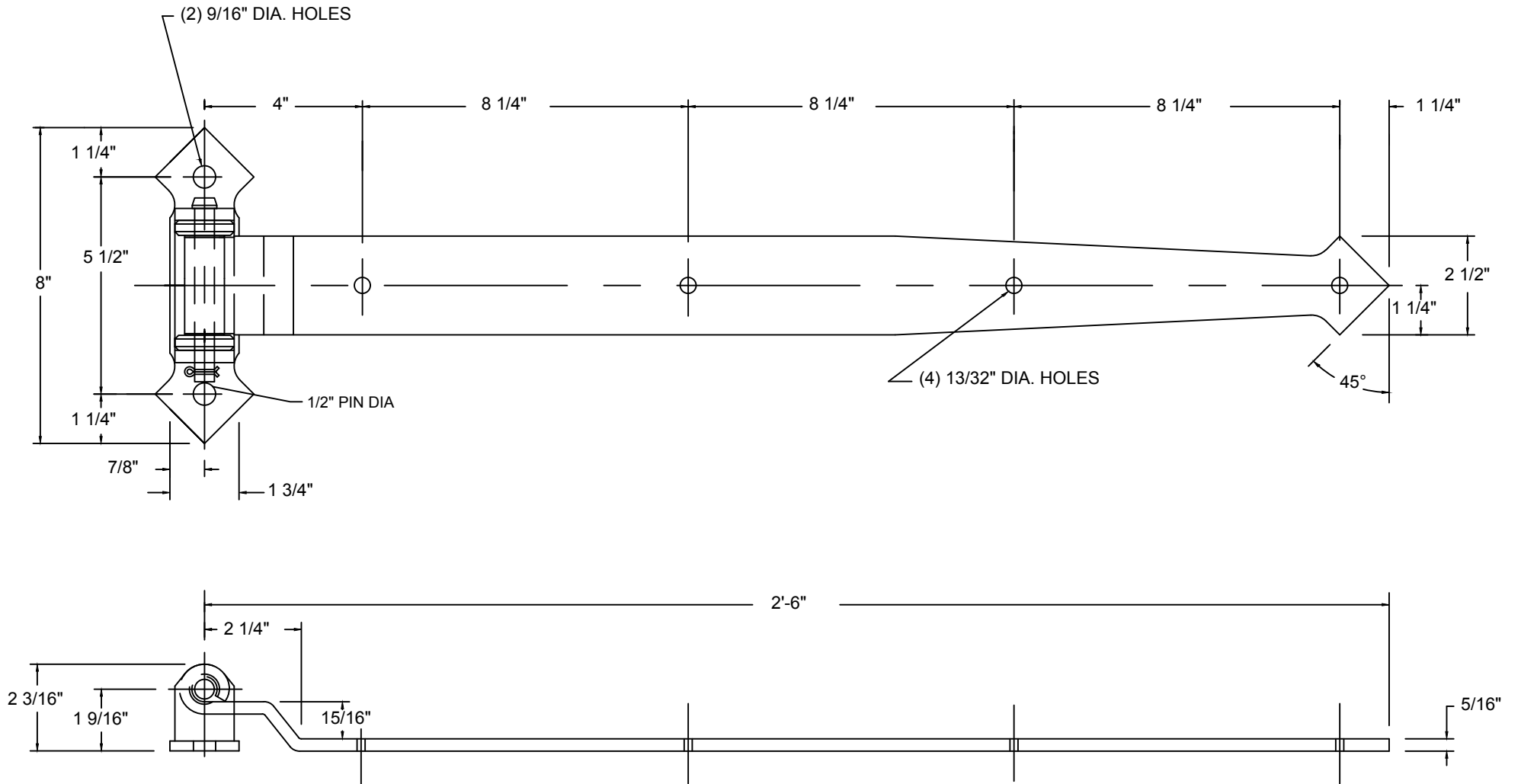
DWG #9035-DEC24BB  
 DESCRIP: Decorative Hinge, Ball Bearing  
 DRAWN:BCM  
 SHEET # 1  
 FILE:z:\engineering\hardware\hinges\9035\decorative\9035-dec24bb

THE INFORMATION CONTAINED IN THIS DRAWING IS THE SOLE PROPERTY OF CROWN INDUSTRIAL. ANY REPRODUCTION IN PART OR AS A WHOLE WITHOUT WRITTEN PERMISSION OF CROWN INDUSTRIAL IS PROHIBITED.



**CROWN INDUSTRIAL**  
 So. San Francisco, Ca  
 (650) 952-5150  
 www.crown-industrial.com

REVISIONS			
REV.	DESCRIPTION	DATE	APPROVED



DWG #9035-DEC30BB  
 DESCRIP: Decorative Hinge, Ball Bearing  
 DRAWN:BCM  
 SHEET # 1

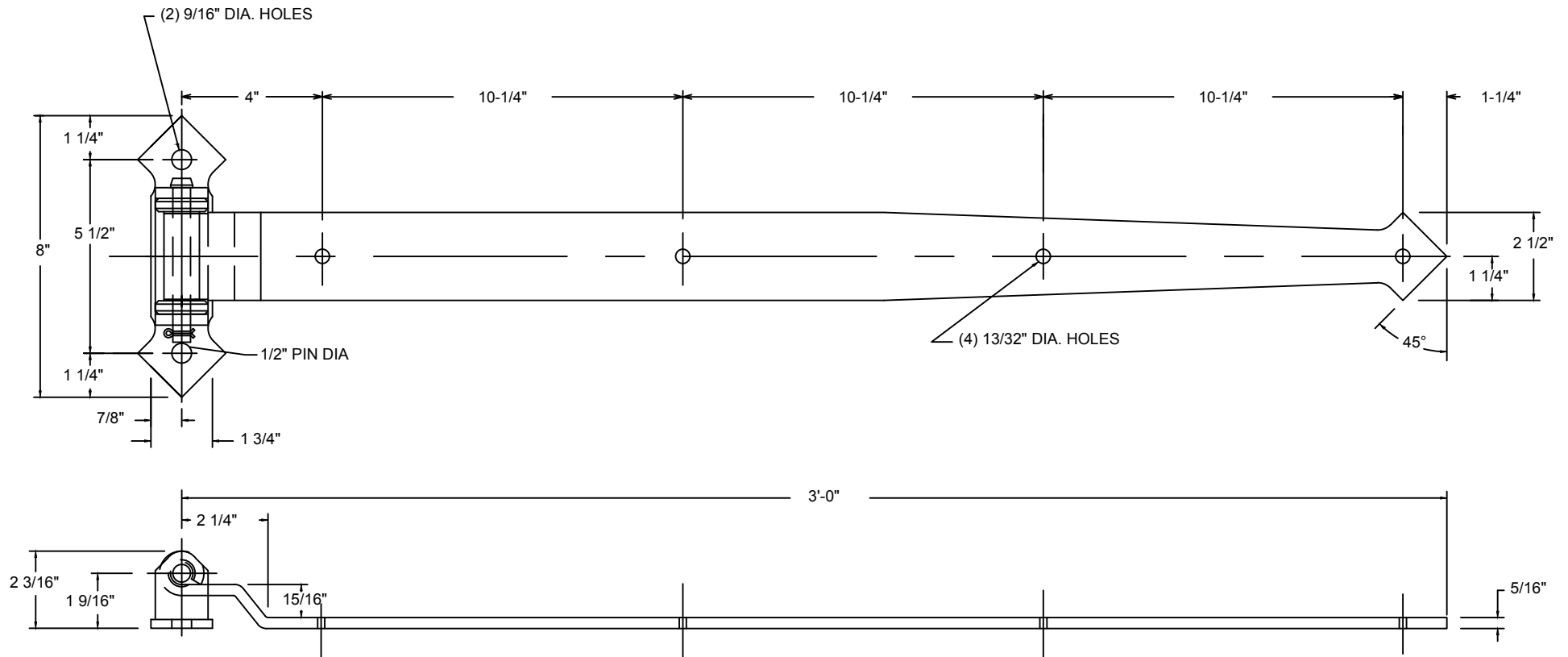
FILE: \\crown-fs\main\engineering\hardware\hinges\9035\decorative\9035-dec30bb

THE INFORMATION CONTAINED IN THIS DRAWING IS THE SOLE PROPERTY OF CROWN INDUSTRIAL. ANY REPRODUCTION IN PART OR AS A WHOLE WITHOUT WRITTEN PERMISSION OF CROWN INDUSTRIAL IS PROHIBITED.



**CROWN INDUSTRIAL**  
 So. San Francisco, Ca  
 (650) 952-5150  
 www.crown-industrial.com

REVISIONS			
REV.	DESCRIPTION	DATE	APPROVED



DWG #9035-DEC36BB  
 DESCRIP: Decorative Hinge, Ball Bearing  
 DRAWN:BCM  
 SHEET # 1  
 FILE: \\crown-fs\main\engineering\hardware\hinges\9035\decorative\9035-dec36bb

THE INFORMATION CONTAINED IN THIS DRAWING IS THE SOLE PROPERTY OF CROWN INDUSTRIAL. ANY REPRODUCTION IN PART OR AS A WHOLE WITHOUT WRITTEN PERMISSION OF CROWN INDUSTRIAL IS PROHIBITED.



**CROWN INDUSTRIAL**  
 So. San Francisco, Ca  
 (650) 952-5150  
 www.crown-industrial.com