

Ø7/16 THRU
For 3/8 Hex Head Bolt

3/16

ALL DIMENSIONS IN INCHES

THE INFORMATION CONTAINED IN THIS DRAWING IS THE SOLE PROPERTY OF CROWN INDUSTRIAL. ANY REPRODUCTION IN PART OR AS A WHOLE WITHOUT THE WRITTEN PERMISSION OF CROWN INDUSTRIAL IS PROHIBITED.	ID #:	0001401-5	STOCK PART #:	9036-P58
	MATERIAL:	Steel, Mild		
DESCRIPTION: Back Plate for 18" Hinge				
FINISH:	Avail: Powder Coat or Hot Dipped Galvanized		# PCS:	1
			REV:	

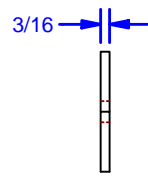
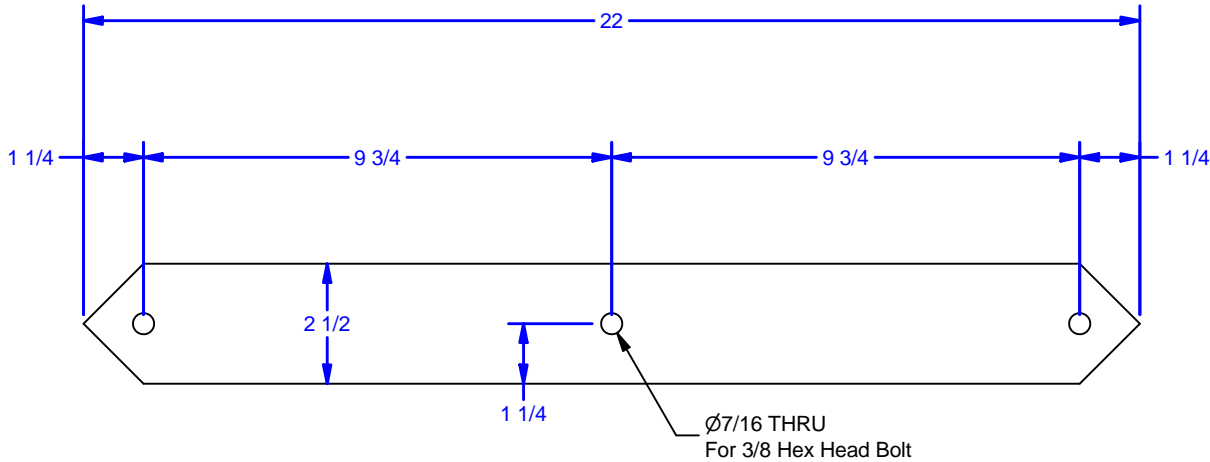
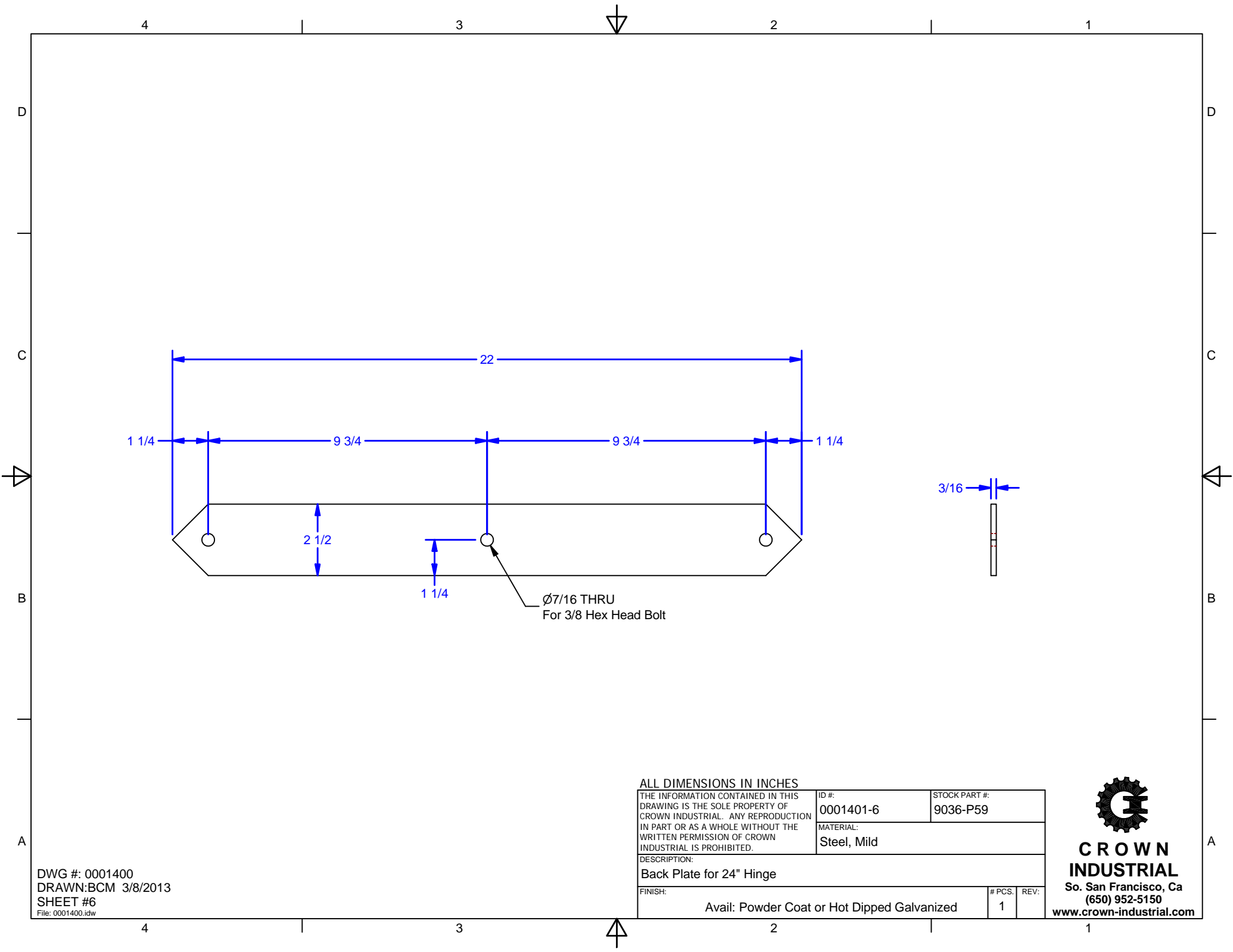


CROWN INDUSTRIAL

So. San Francisco, Ca
(650) 952-5150

www.crown-industrial.com

DWG #: 0001400
DRAWN:BCM 3/8/2013
SHEET #5
File: 0001400.idw

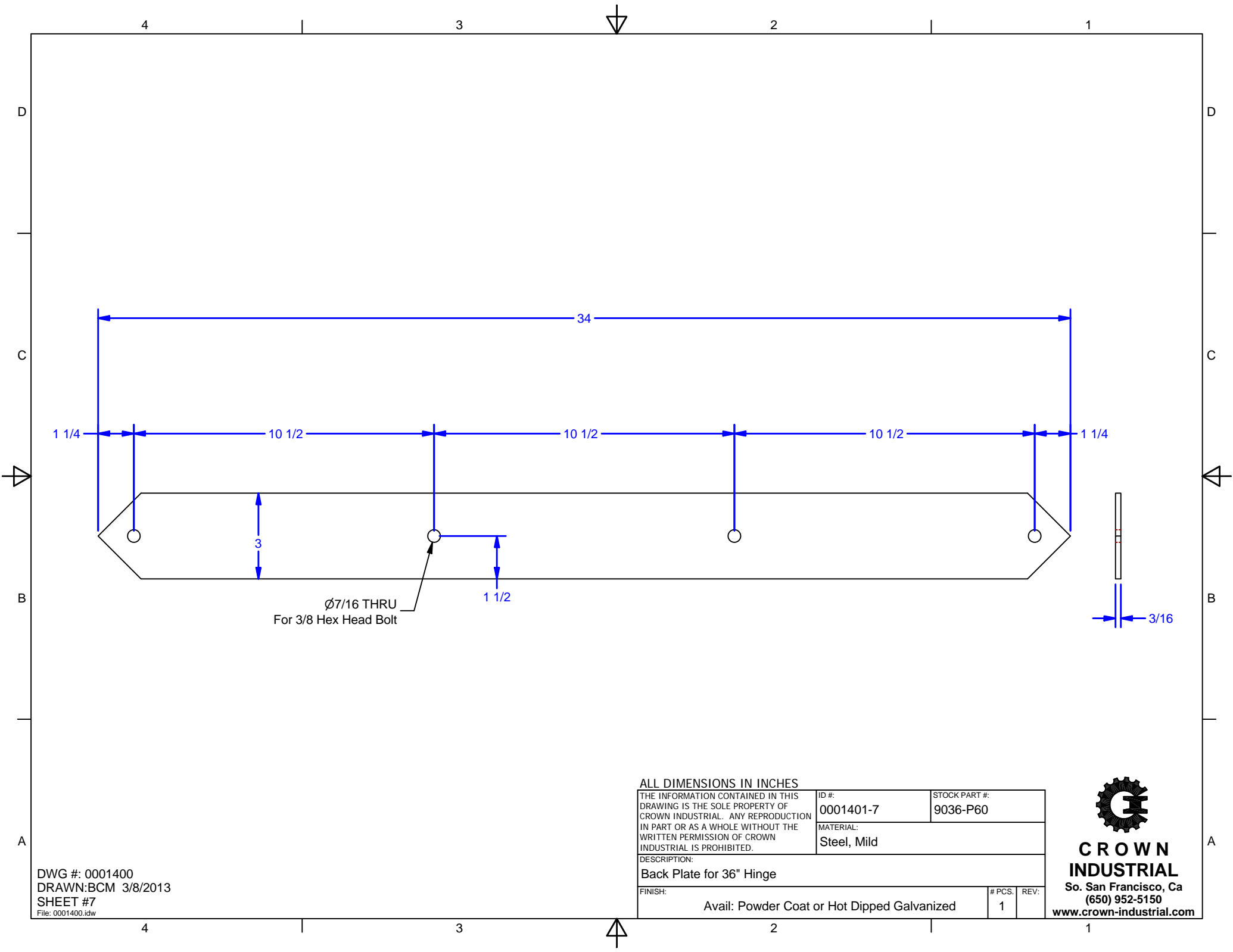


DWG #: 0001400
 DRAWN: BCM 3/8/2013
 SHEET #6
 File: 0001400.idw

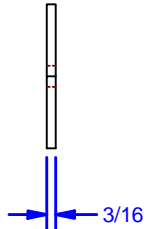
ALL DIMENSIONS IN INCHES

THE INFORMATION CONTAINED IN THIS DRAWING IS THE SOLE PROPERTY OF CROWN INDUSTRIAL. ANY REPRODUCTION IN PART OR AS A WHOLE WITHOUT THE WRITTEN PERMISSION OF CROWN INDUSTRIAL IS PROHIBITED.	ID #:	0001401-6	STOCK PART #:	9036-P59
	MATERIAL:	Steel, Mild		
DESCRIPTION: Back Plate for 24" Hinge				
FINISH:	Avail: Powder Coat or Hot Dipped Galvanized		# PCS:	1
			REV:	

CROWN INDUSTRIAL
 So. San Francisco, Ca
 (650) 952-5150
 www.crown-industrial.com



Ø7/16 THRU
For 3/8 Hex Head Bolt



DWG #: 0001400
DRAWN:BCM 3/8/2013
SHEET #7
File: 0001400.idw

ALL DIMENSIONS IN INCHES

THE INFORMATION CONTAINED IN THIS DRAWING IS THE SOLE PROPERTY OF CROWN INDUSTRIAL. ANY REPRODUCTION IN PART OR AS A WHOLE WITHOUT THE WRITTEN PERMISSION OF CROWN INDUSTRIAL IS PROHIBITED.	ID #:	0001401-7	STOCK PART #:	9036-P60
	MATERIAL:	Steel, Mild		
DESCRIPTION: Back Plate for 36" Hinge				
FINISH:	Avail: Powder Coat or Hot Dipped Galvanized		# PCS:	1
			REV:	



CROWN INDUSTRIAL
So. San Francisco, Ca
(650) 952-5150
www.crown-industrial.com