

ALL DIMENSIONS IN INCHES

THE INFORMATION CONTAINED IN THIS DRAWING IS THE SOLE PROPERTY OF CROWN INDUSTRIAL. ANY REPRODUCTION IN PART OR AS A WHOLE WITHOUT THE WRITTEN PERMISSION OF CROWN INDUSTRIAL IS PROHIBITED.	ID #:	0001403-1	STOCK PART #:	9035-DEC19BP
	MATERIAL:	Steel, Mild		
DESCRIPTION:				
Decorative Back Plate for 19" Strap Hinge				
FINISH:	Avail: Powder Coat or Hot Dipped Galvanized		# PCS:	1
			REV:	



CROWN INDUSTRIAL
 So. San Francisco, Ca
 (650) 952-5150
www.crown-industrial.com

DWG #: 0001400
 DRAWN: BCM 3/8/2013
 SHEET #8
 File: 0001400.idw

4

3

2

1

D

D

C

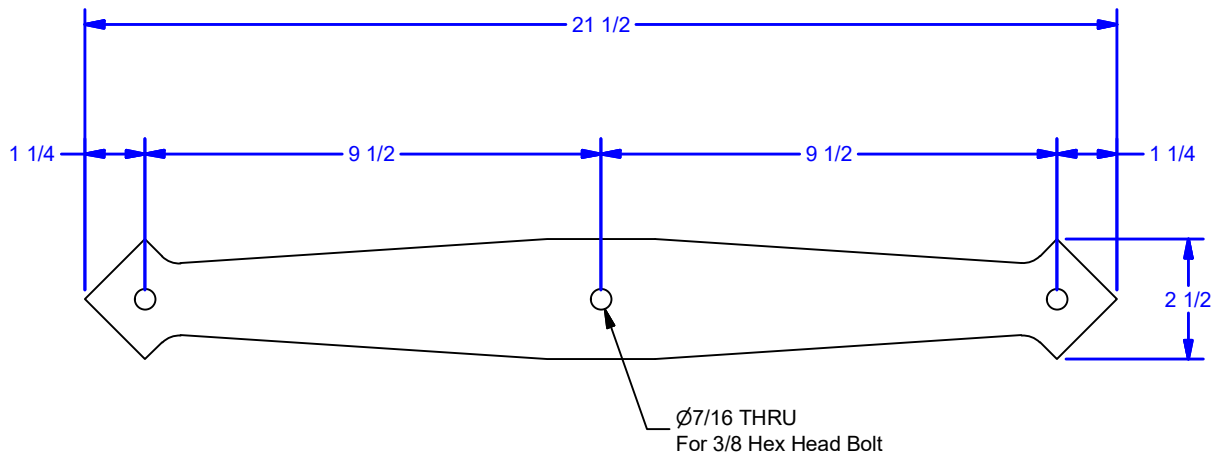
C

B

B

A

A



ALL DIMENSIONS IN INCHES

THE INFORMATION CONTAINED IN THIS DRAWING IS THE SOLE PROPERTY OF CROWN INDUSTRIAL. ANY REPRODUCTION IN PART OR AS A WHOLE WITHOUT THE WRITTEN PERMISSION OF CROWN INDUSTRIAL IS PROHIBITED.	ID #:	0001403-2	STOCK PART #:	9035-DEC24BP
	MATERIAL:	Steel, Mild		
DESCRIPTION: Decorative Back Plate for 24" Strap Hinge				
FINISH:	Avail: Powder Coat or Hot Dipped Galvanized		# PCS:	1
			REV:	



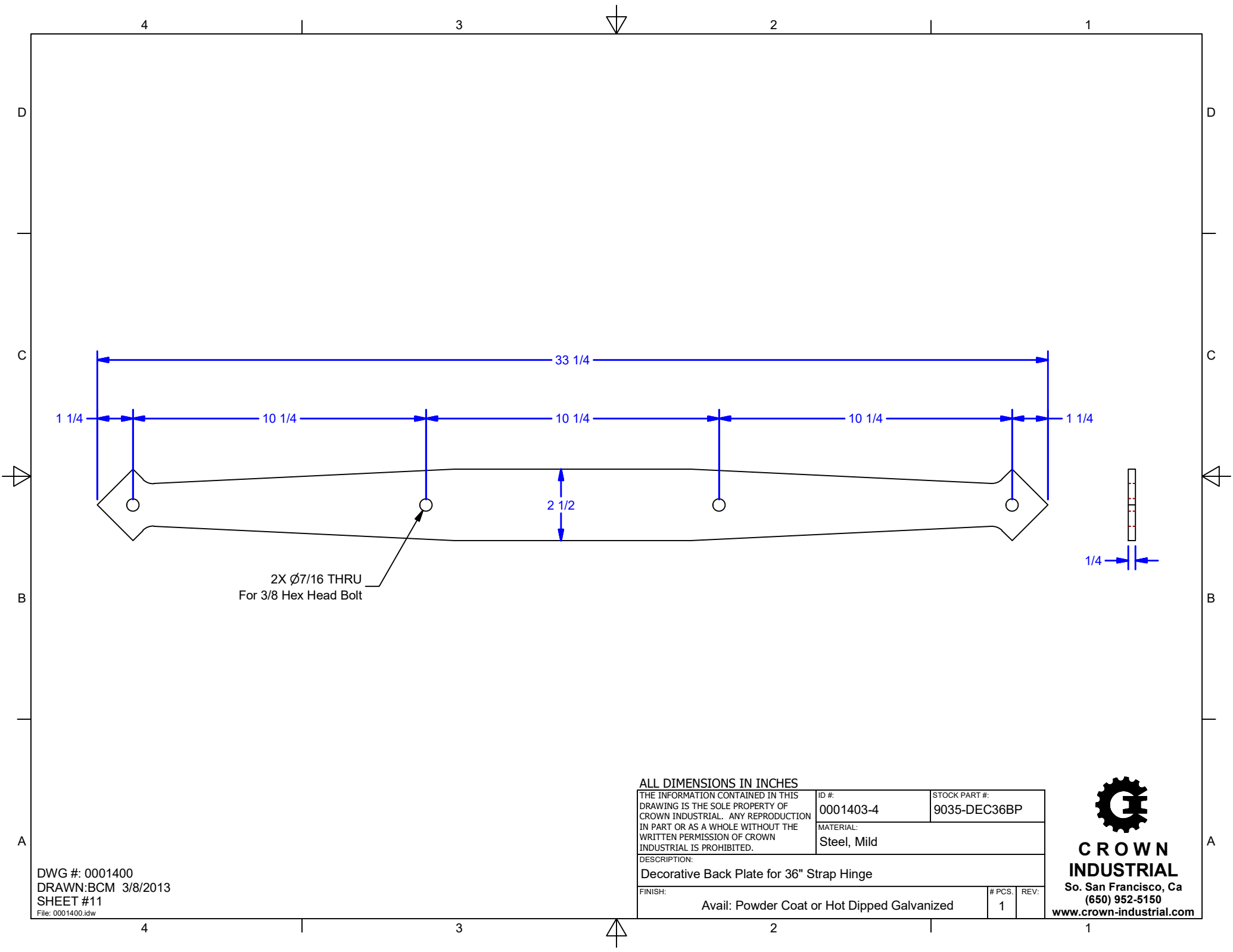
CROWN INDUSTRIAL

So. San Francisco, Ca
(650) 952-5150

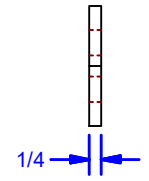
www.crown-industrial.com

DWG #: 0001400
DRAWN: BCM 3/8/2013
SHEET #9

File: 0001400.idw



2X Ø7/16 THRU
For 3/8 Hex Head Bolt



ALL DIMENSIONS IN INCHES

THE INFORMATION CONTAINED IN THIS DRAWING IS THE SOLE PROPERTY OF CROWN INDUSTRIAL. ANY REPRODUCTION IN PART OR AS A WHOLE WITHOUT THE WRITTEN PERMISSION OF CROWN INDUSTRIAL IS PROHIBITED.	ID #:	0001403-4	STOCK PART #:	9035-DEC36BP
	MATERIAL:	Steel, Mild		
DESCRIPTION: Decorative Back Plate for 36" Strap Hinge				
FINISH:	Avail: Powder Coat or Hot Dipped Galvanized		# PCS:	1
			REV:	



CROWN INDUSTRIAL
So. San Francisco, Ca
(650) 952-5150
www.crown-industrial.com

DWG #: 0001400
DRAWN:BCM 3/8/2013
SHEET #11
File: 0001400.idw