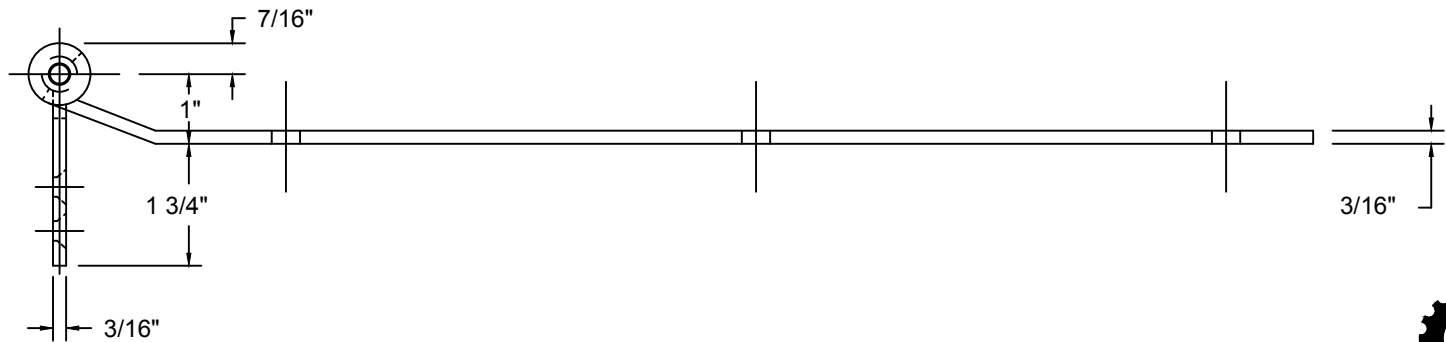
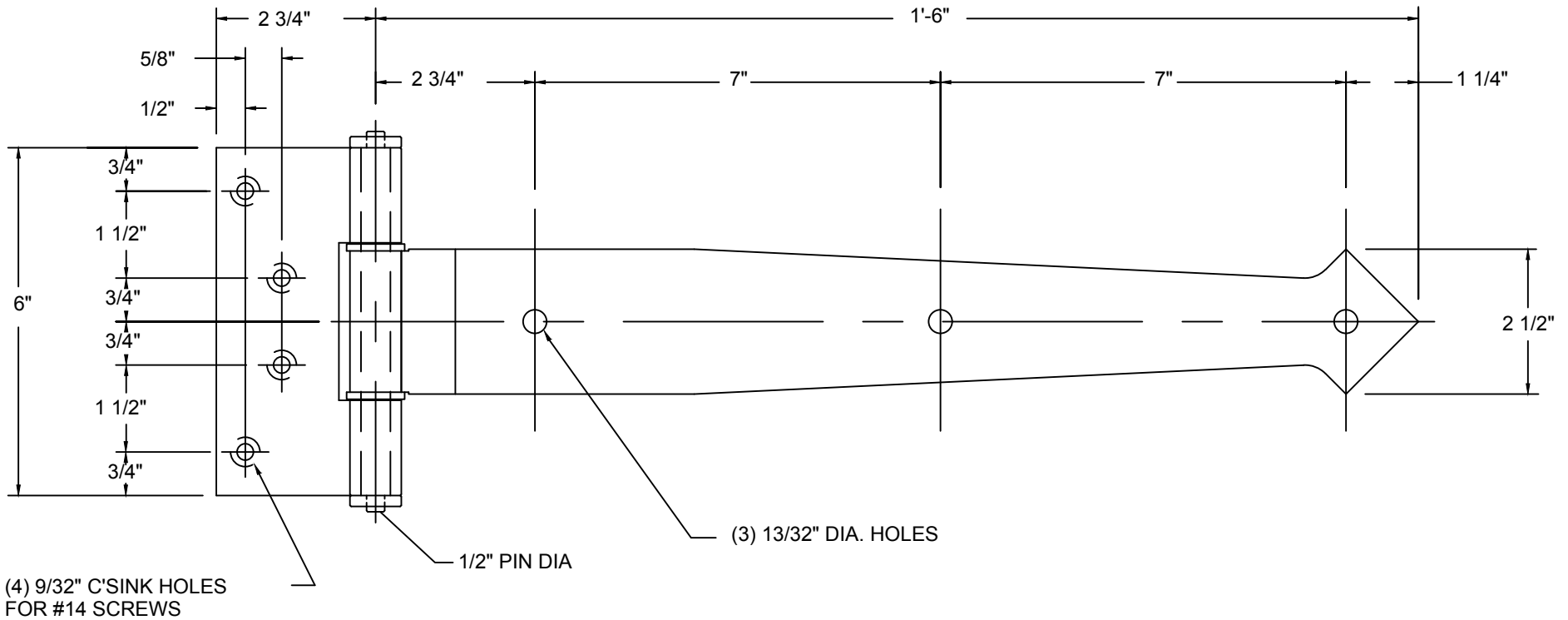


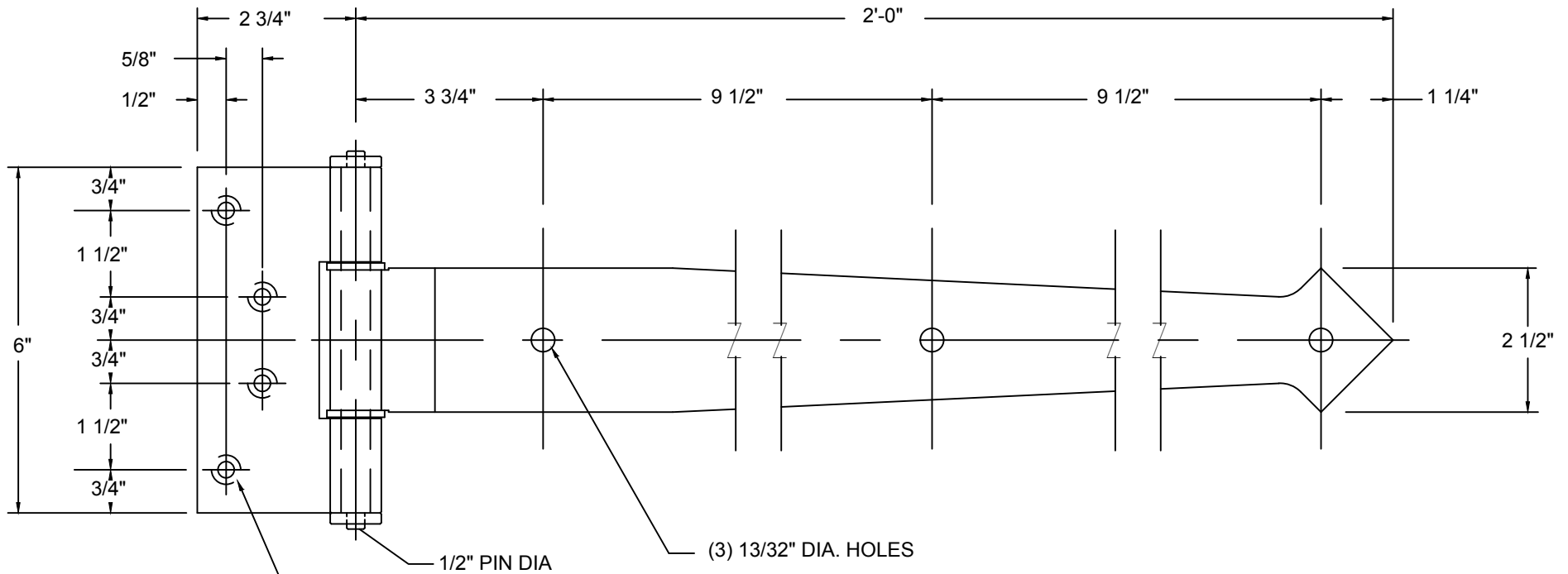
REVISIONS			
REV.	DESCRIPTION	DATE	APPROVED



NOTE:
PINTLE SHOWN IN FULL
CLOSED POSITION

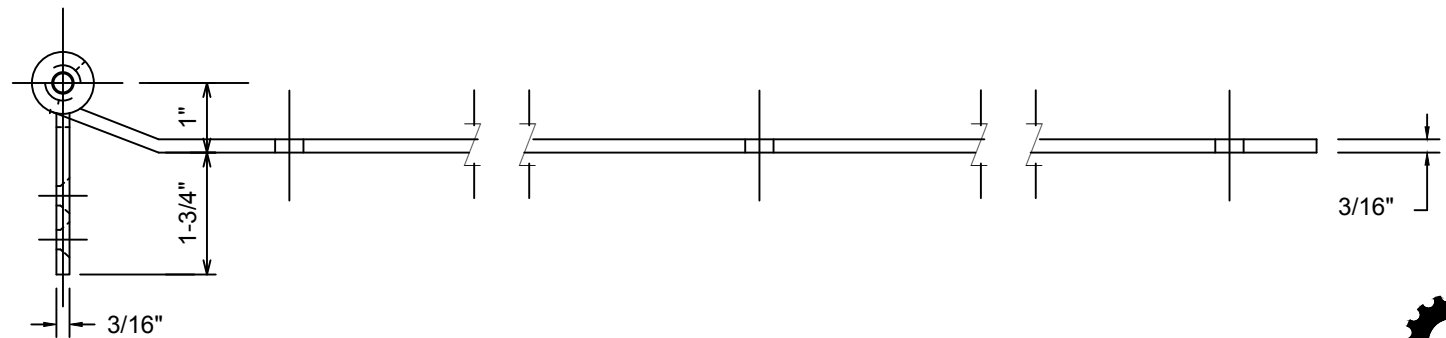


REVISIONS			
REV.	DESCRIPTION	DATE	APPROVED

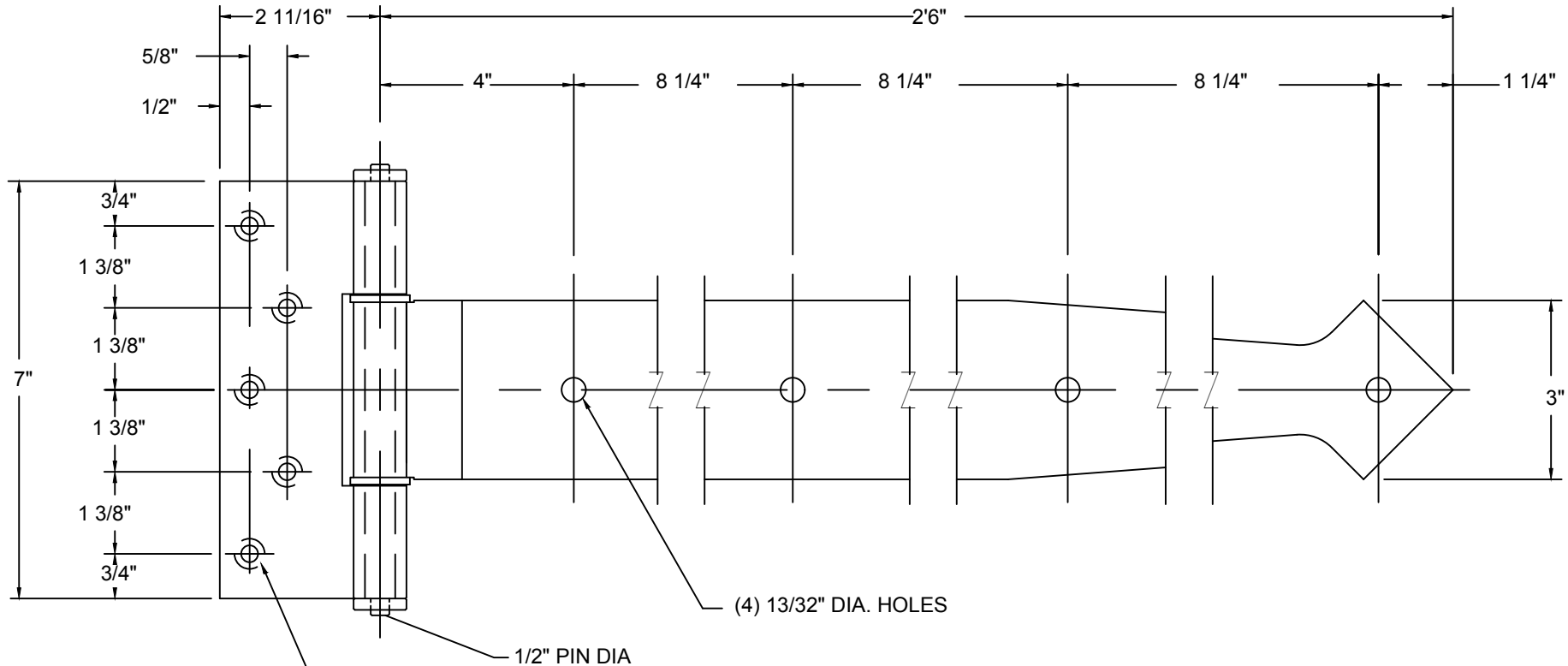


(4) 9/32" C'SINK HOLES FOR #14 SCREWS

NOTE:
PINTLE SHOWN IN FULL CLOSED POSITION



REVISIONS			
REV.	DESCRIPTION	DATE	APPROVED

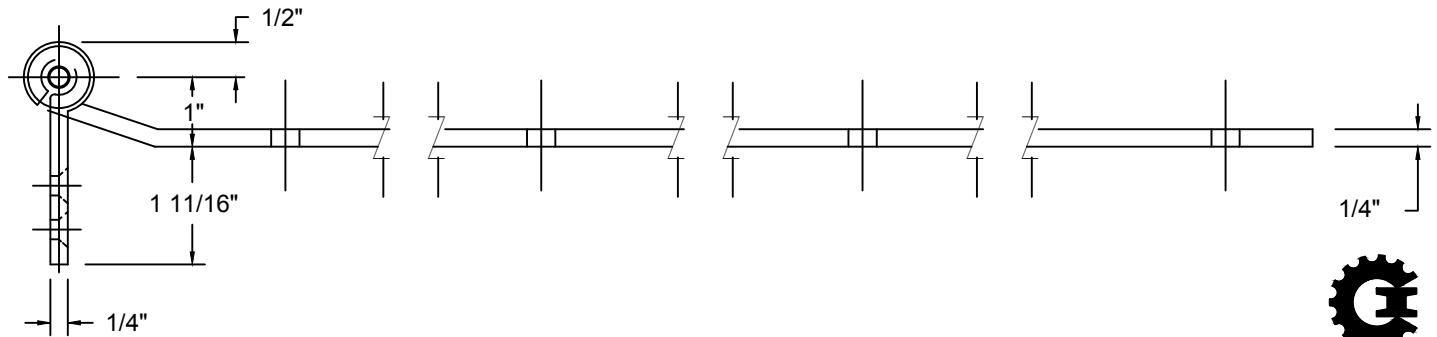


(5) 11/32" C'SINK HOLES FOR #20 SCREWS

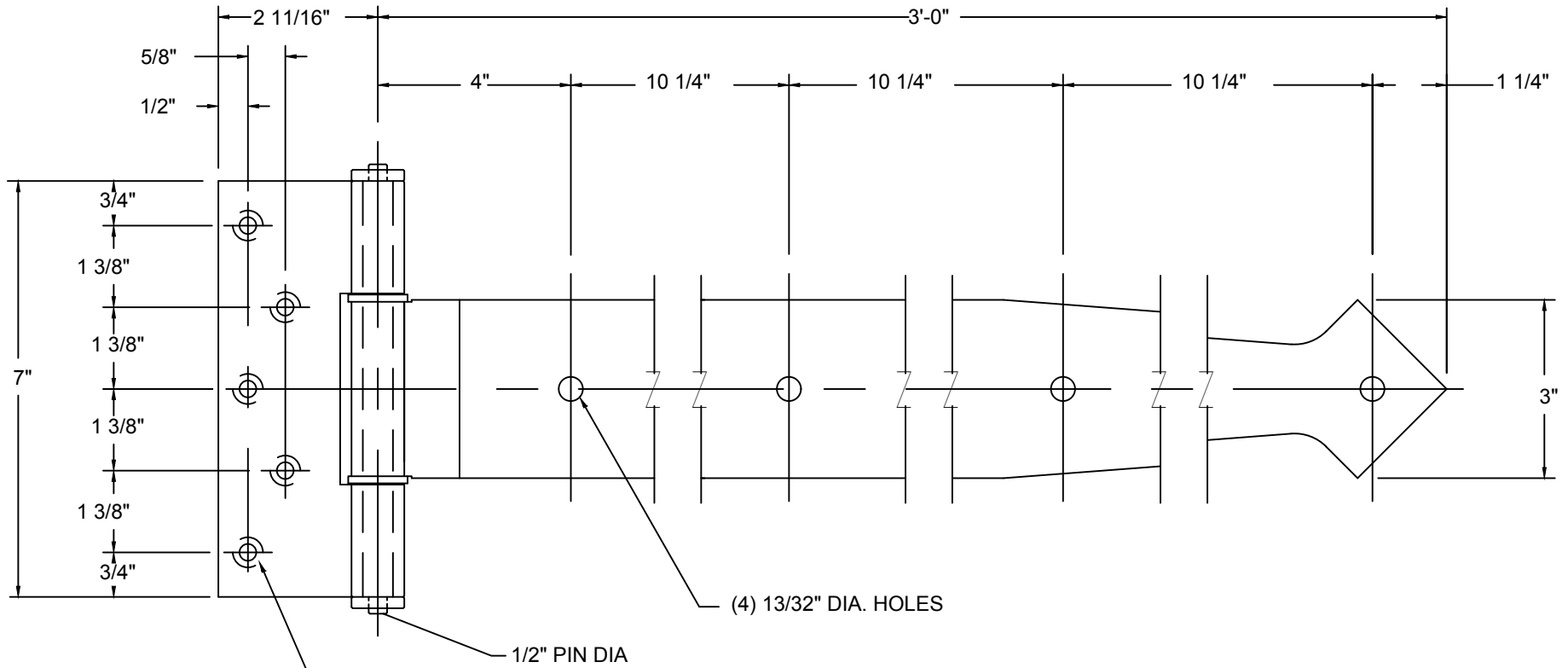
(4) 13/32" DIA. HOLES

1/2" PIN DIA

NOTE:
PINTLE SHOWN IN FULL CLOSED POSITION

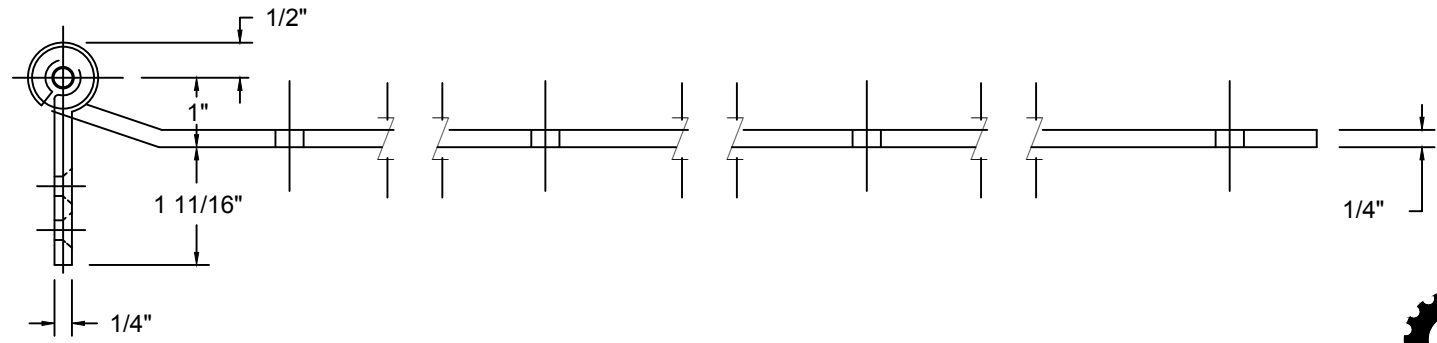


REVISIONS			
REV.	DESCRIPTION	DATE	APPROVED

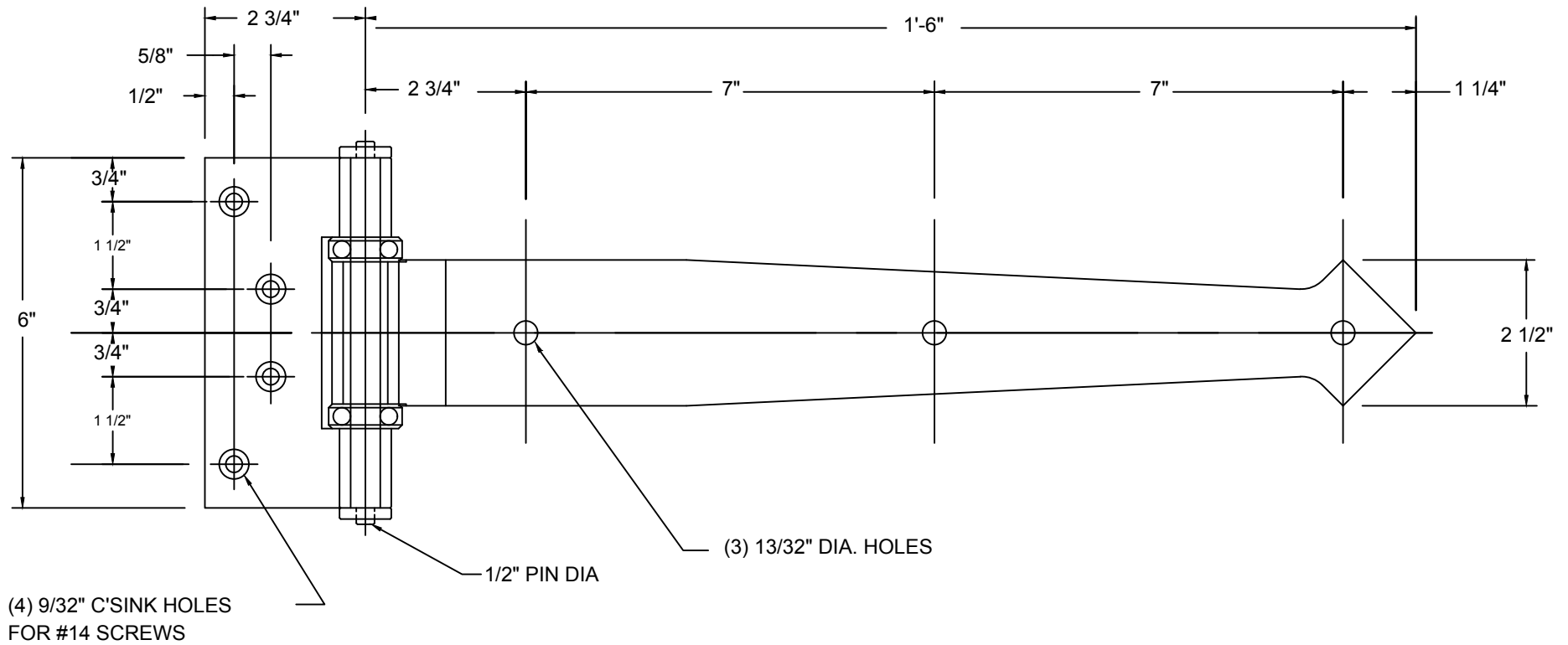


(5) 11/32" C'SINK HOLES FOR #20 SCREWS

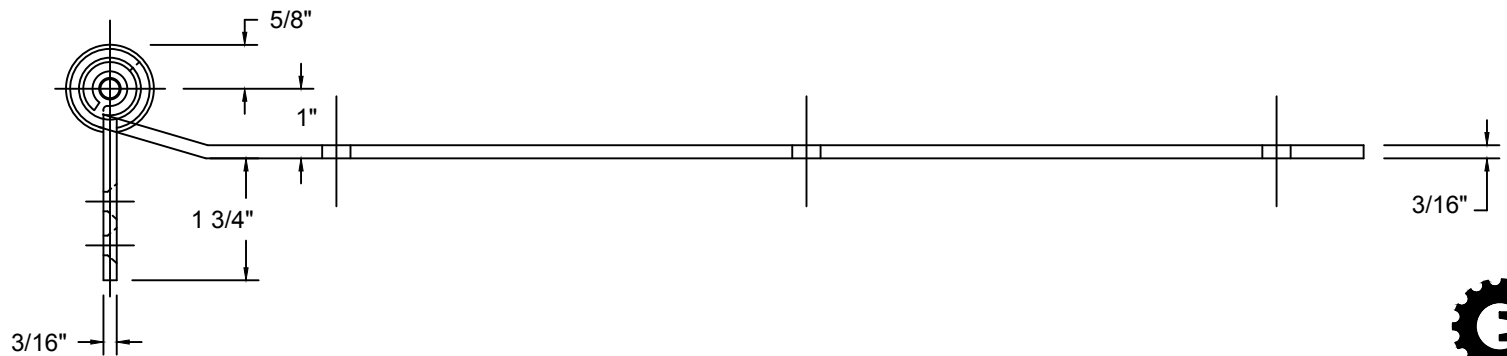
NOTE:
PINTLE SHOWN IN FULL CLOSED POSITION



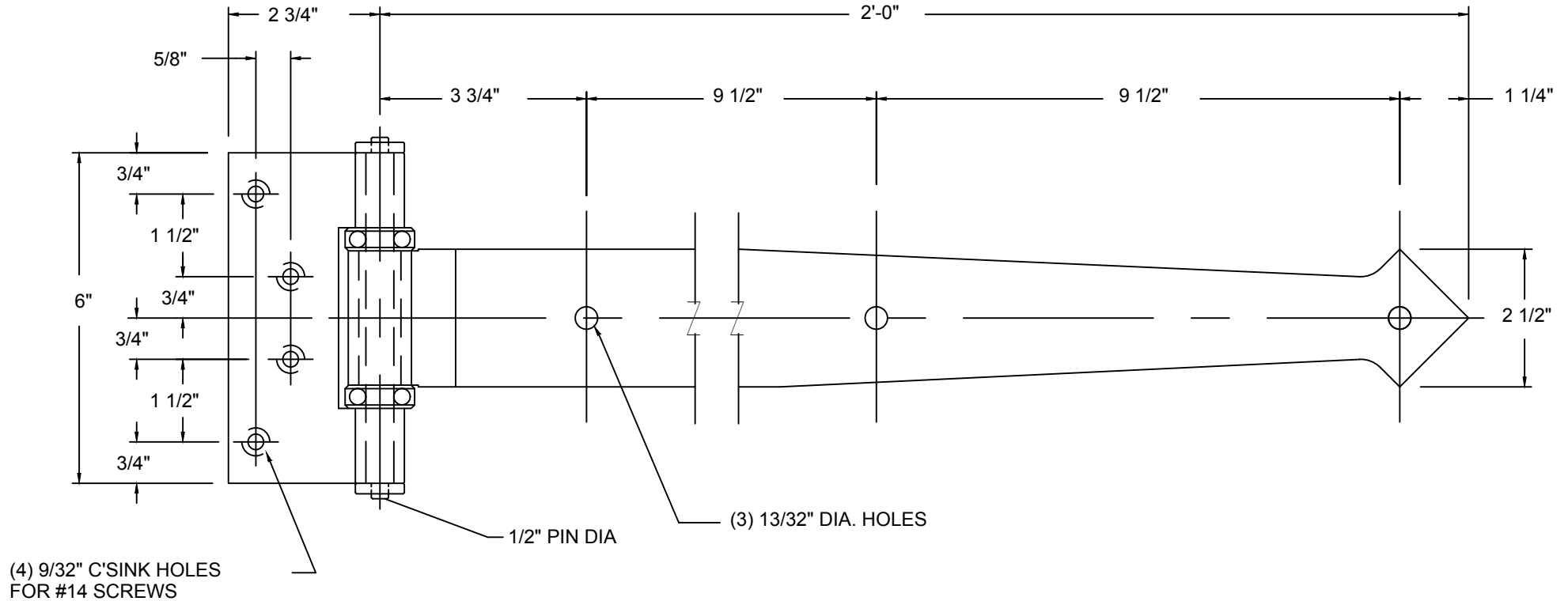
REVISIONS			
REV.	DESCRIPTION	DATE	APPROVED



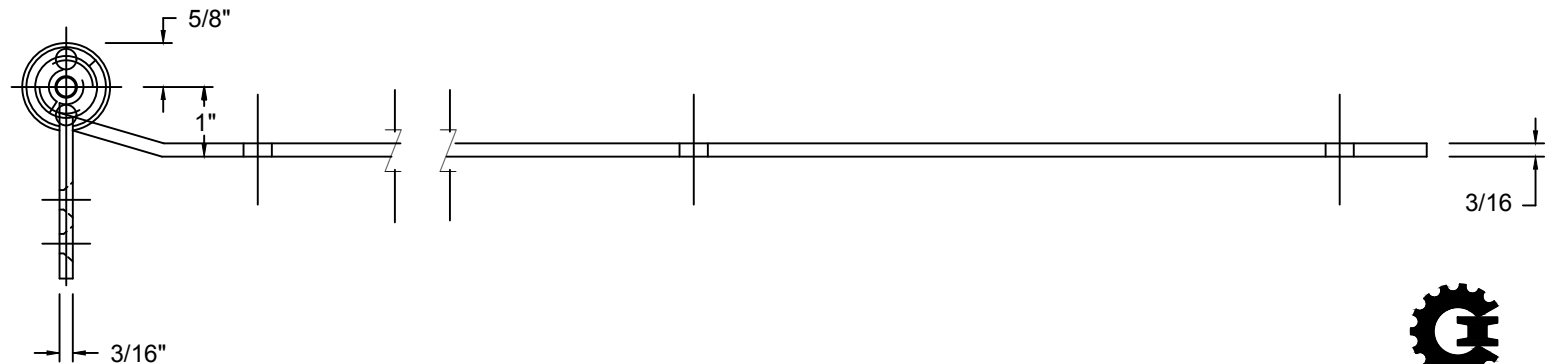
NOTE:
PINTLE SHOWN IN FULL
CLOSED POSITION



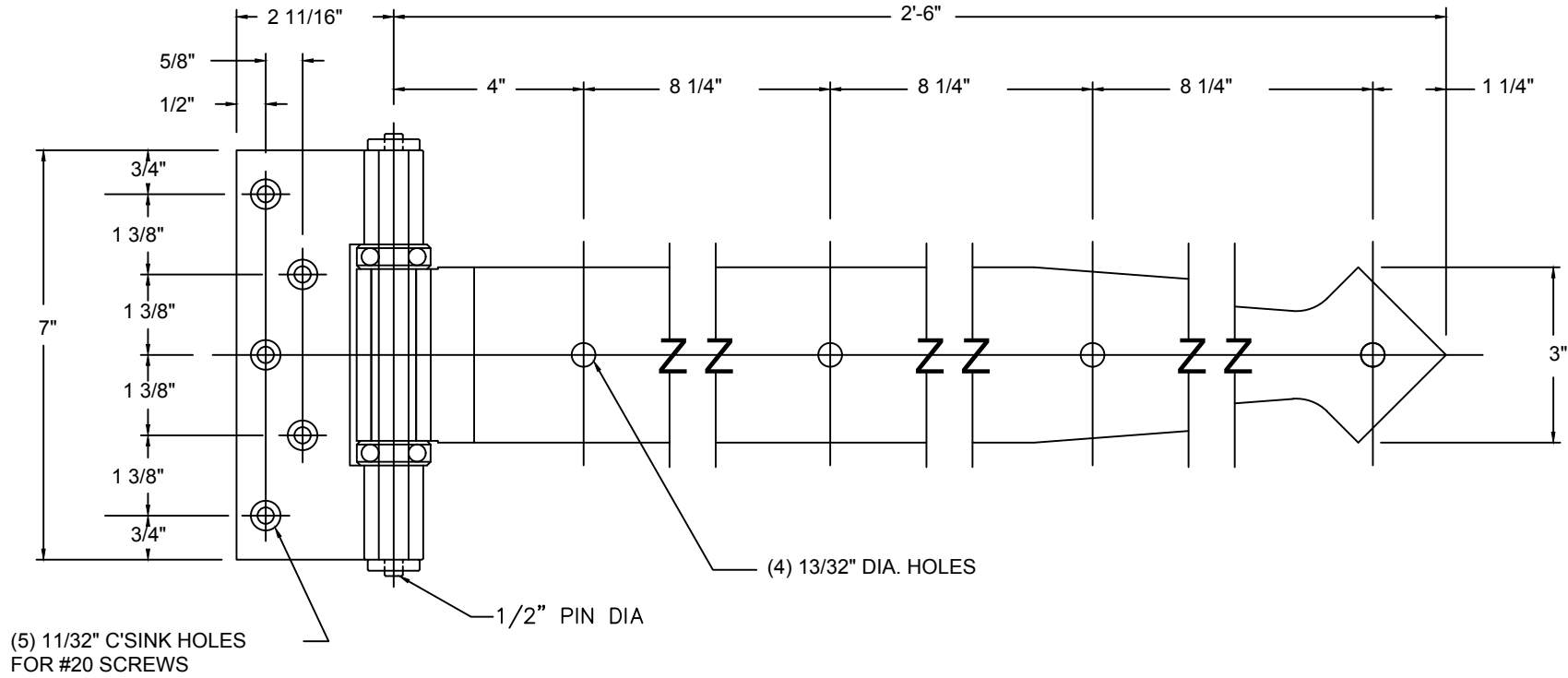
REVISIONS			
REV.	DESCRIPTION	DATE	APPROVED



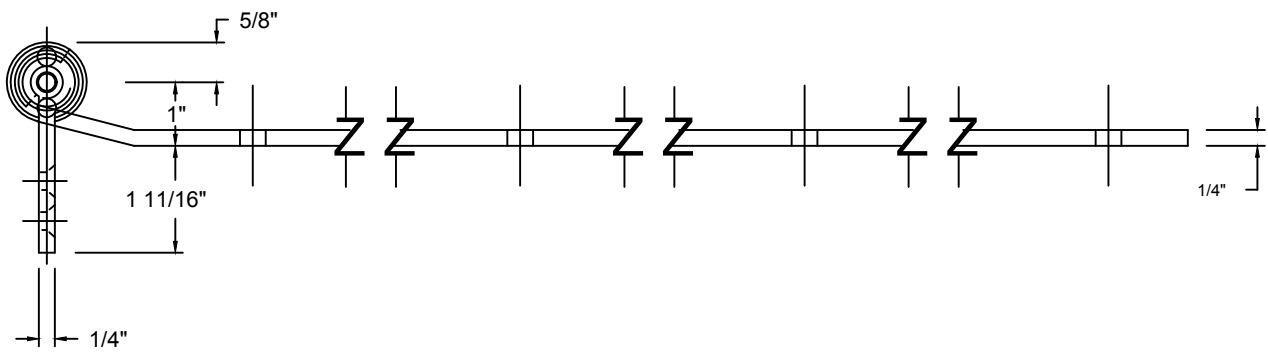
NOTE:
PINTLE SHOWN IN FULL
CLOSED POSITION



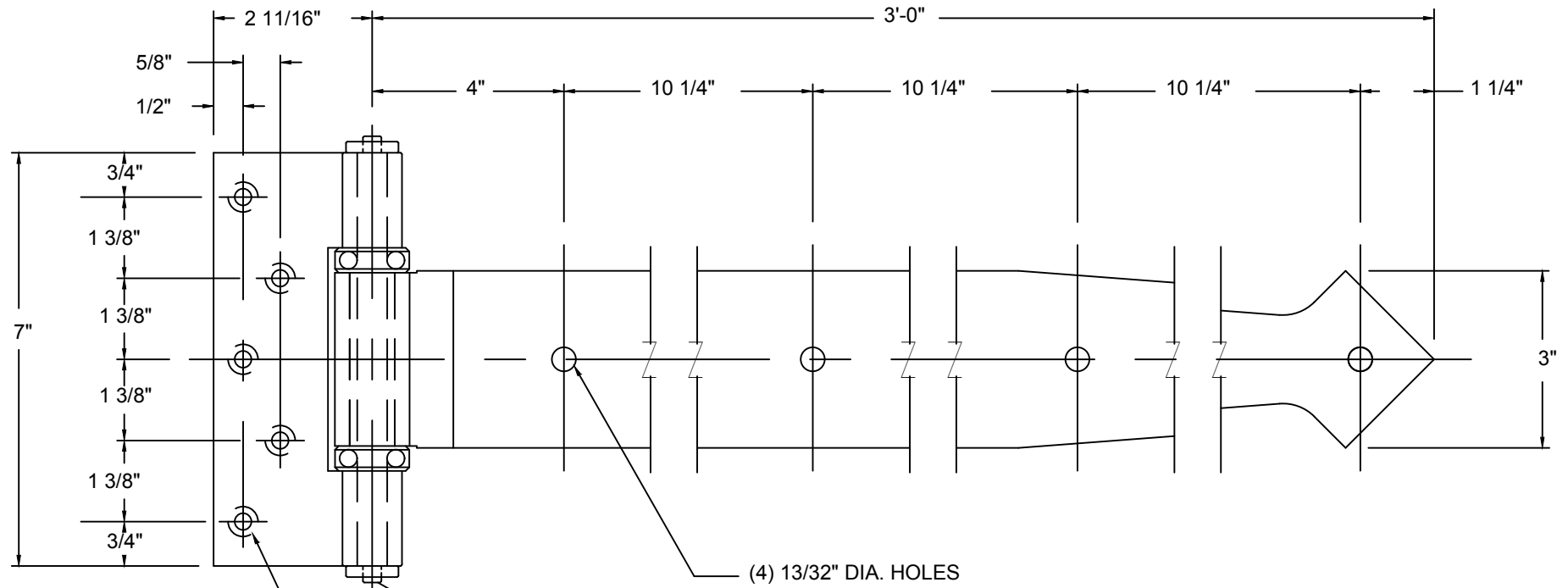
REVISIONS			
REV.	DESCRIPTION	DATE	APPROVED



NOTE:
PINTLE SHOWN IN FULL
CLOSED POSITION



REVISIONS			
REV.	DESCRIPTION	DATE	APPROVED



(5) 11/32" C'SINK HOLES FOR #20 SCREWS

1/2" PIN DIA

(4) 13/32" DIA. HOLES

NOTE:
PINTLE SHOWN IN FULL CLOSED POSITION

