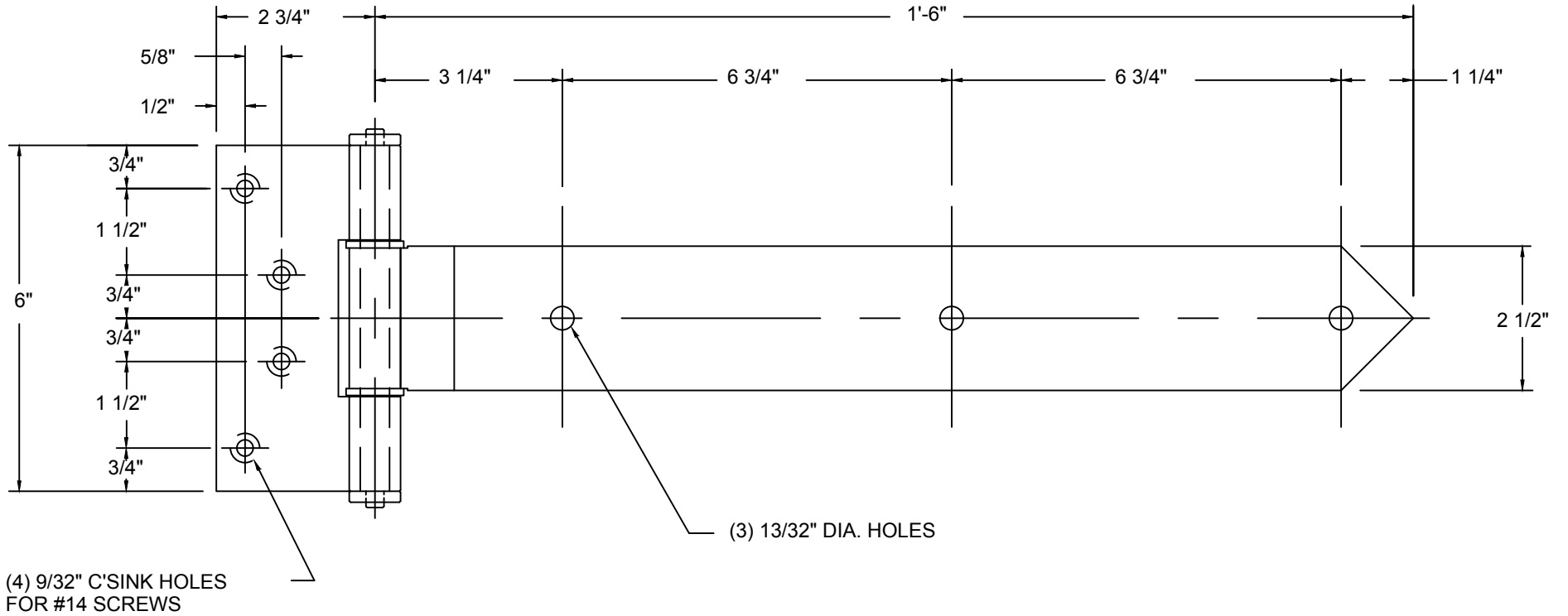
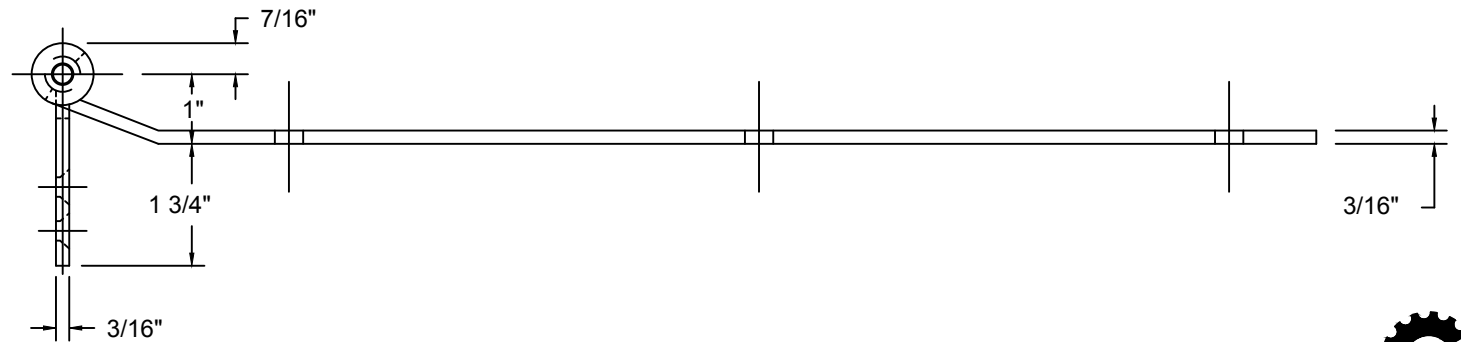


REVISIONS			
REV.	DESCRIPTION	DATE	APPROVED



NOTE:  
 PINTLE SHOWN IN FULL  
 CLOSED POSITION  
 MILD STEEL  
 FINISH:  
 POWDER COAT "TAN"



DWG #9036-P31  
 DESCRIP: Hinge, Disc Bearing  
 DRAWN:BCM  
 SHEET # 1

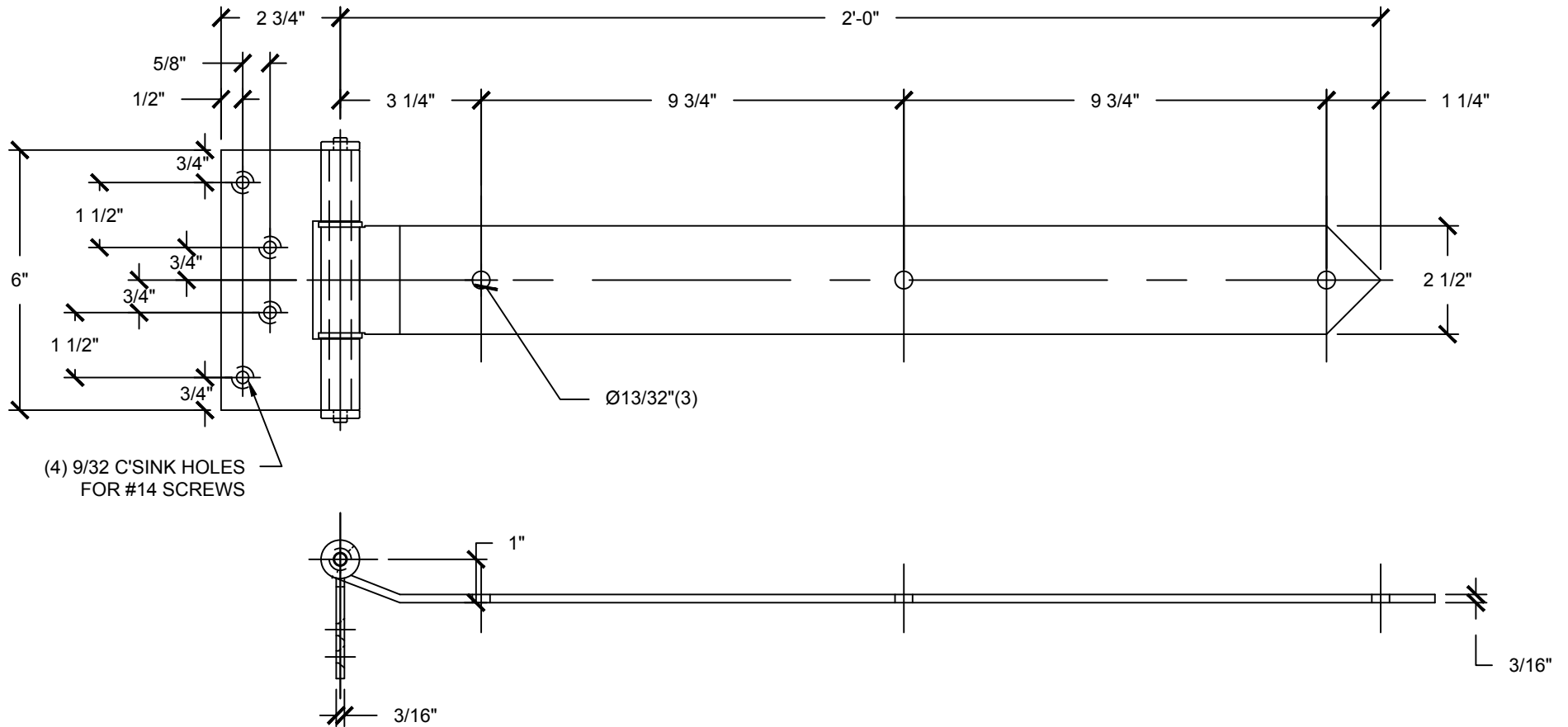
FILE: \\crown-fs\main\engineering\hardware\hinges\9036\9036-p31

THE INFORMATION CONTAINED IN THIS DRAWING IS THE SOLE PROPERTY OF CROWN INDUSTRIAL. ANY REPRODUCTION IN PART OR AS A WHOLE WITHOUT WRITTEN PERMISSION OF CROWN INDUSTRIAL IS PROHIBITED.



**CROWN INDUSTRIAL**  
 So. San Francisco, Ca  
 (650) 952-5150  
[www.crown-industrial.com](http://www.crown-industrial.com)

REVISIONS			
REV.	DESCRIPTION	DATE	APPROVED



9036-P32 DB-24" HINGE

NOTE:  
PINTLE SHOWN IN FULL  
CLOSED POSITION

DWG #9036-P32  
DESCRIP: Hinge, Disc Bearing  
DRAWN:BCM  
SHEET # 1

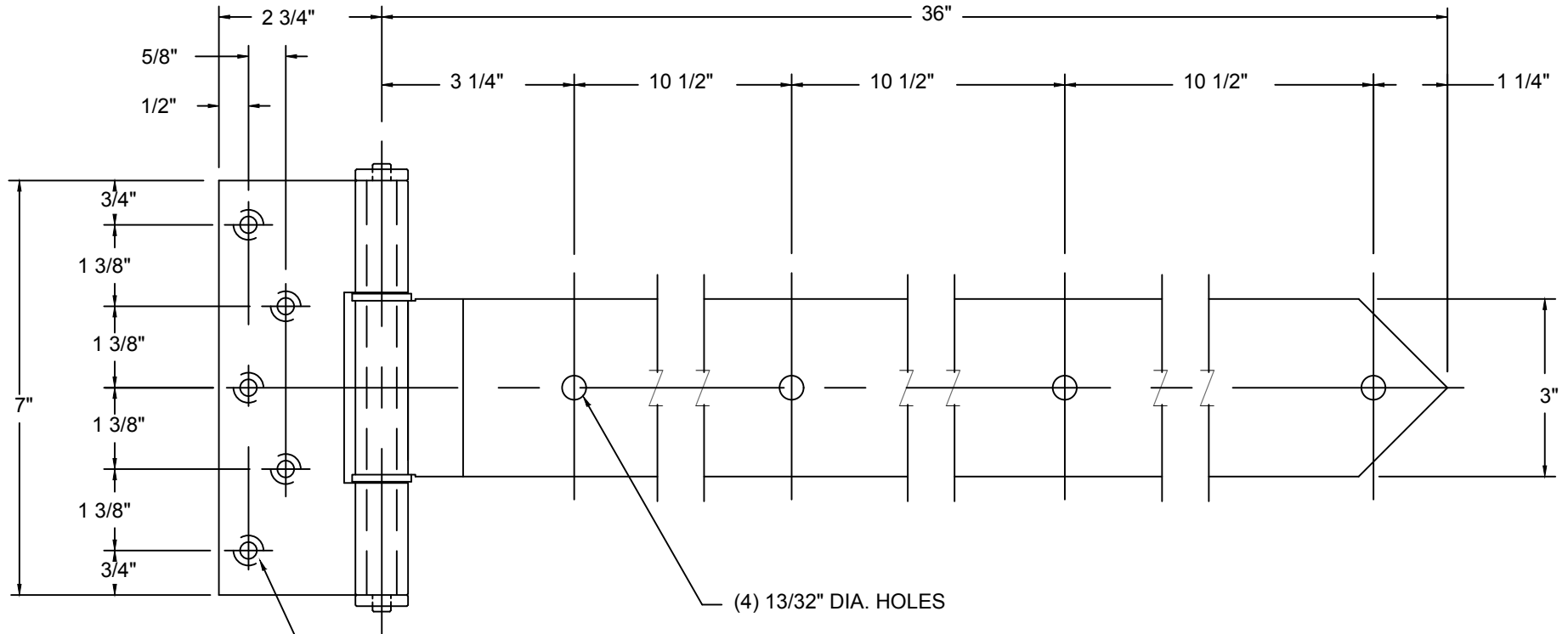
FILE: \\crown-fs\main\engineering\hardware\hinges\9036\9036-p32

THE INFORMATION CONTAINED IN THIS DRAWING IS THE SOLE PROPERTY OF CROWN INDUSTRIAL. ANY REPRODUCTION IN PART OR AS A WHOLE WITHOUT WRITTEN PERMISSION OF CROWN INDUSTRIAL IS PROHIBITED.



**CROWN INDUSTRIAL**  
So. San Francisco, Ca  
(650) 952-5150  
www.crown-industrial.com

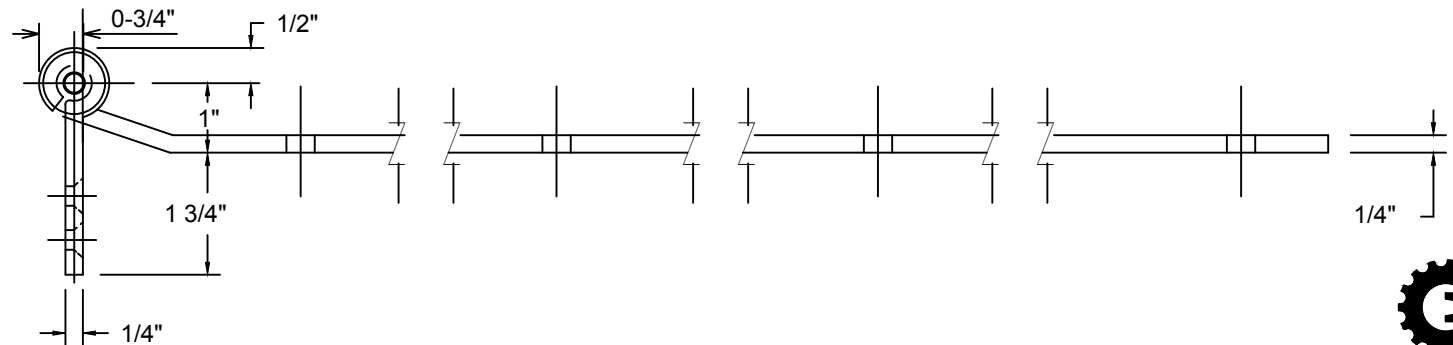
REVISIONS			
REV.	DESCRIPTION	DATE	APPROVED



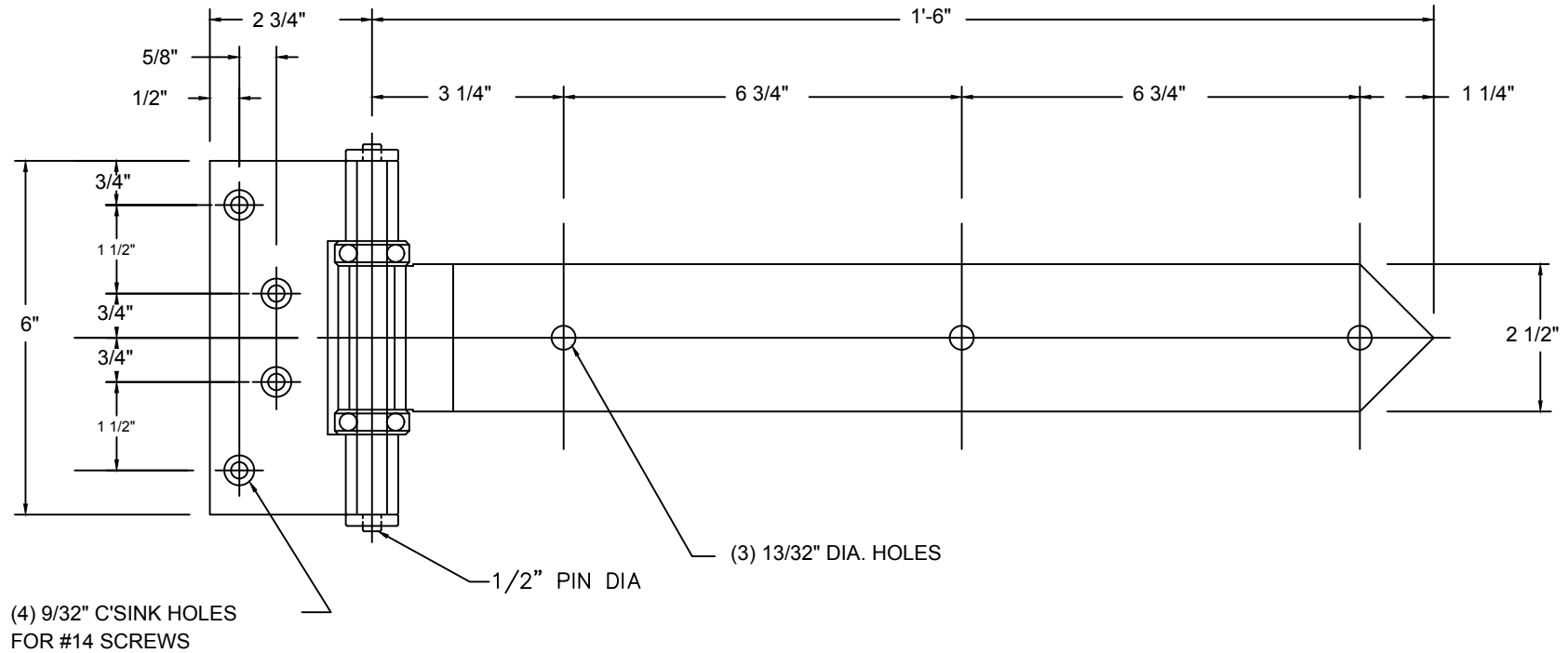
(5) 11/32" C'SINK HOLES FOR #20 SCREWS

(4) 13/32" DIA. HOLES

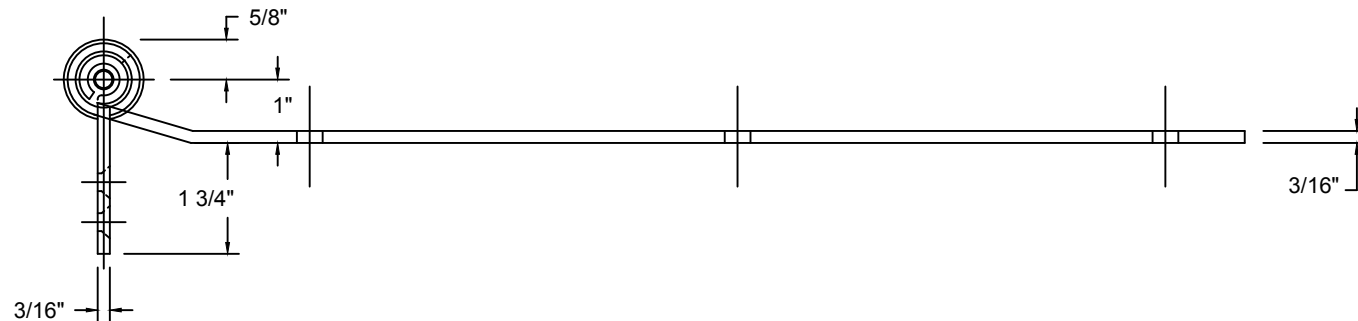
NOTE:  
PINTLE SHOWN IN FULL CLOSED POSITION



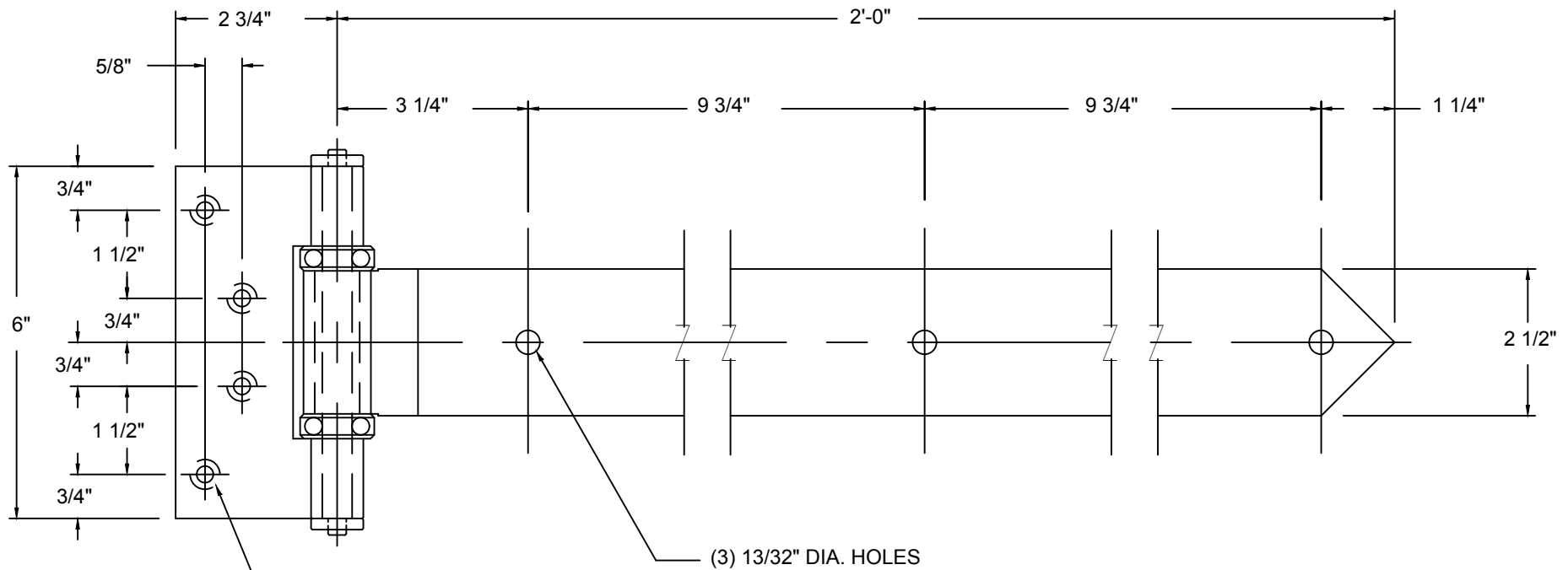
REVISIONS			
REV.	DESCRIPTION	DATE	APPROVED



NOTE:  
PINTLE SHOWN IN FULL  
CLOSED POSITION

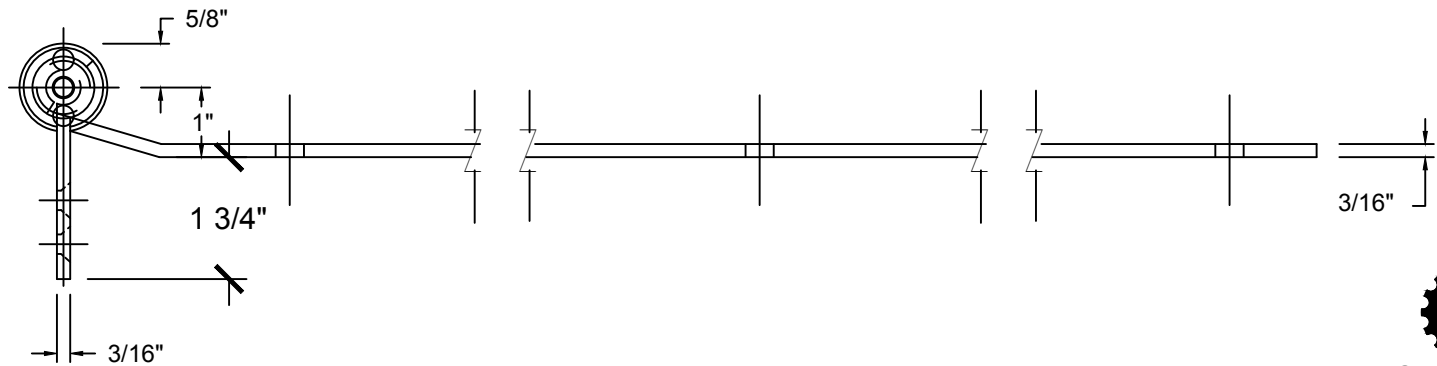


REVISIONS			
REV.	DESCRIPTION	DATE	APPROVED



(4) 9/32" C'SINK HOLES FOR #14 SCREWS

(3) 13/32" DIA. HOLES



NOTE:  
PINTLE SHOWN IN FULL  
CLOSED POSITION

DWG #9036-P38  
DESCRIP: Hinge, Ball Bearing  
DRAWN:BCM  
SHEET # 1

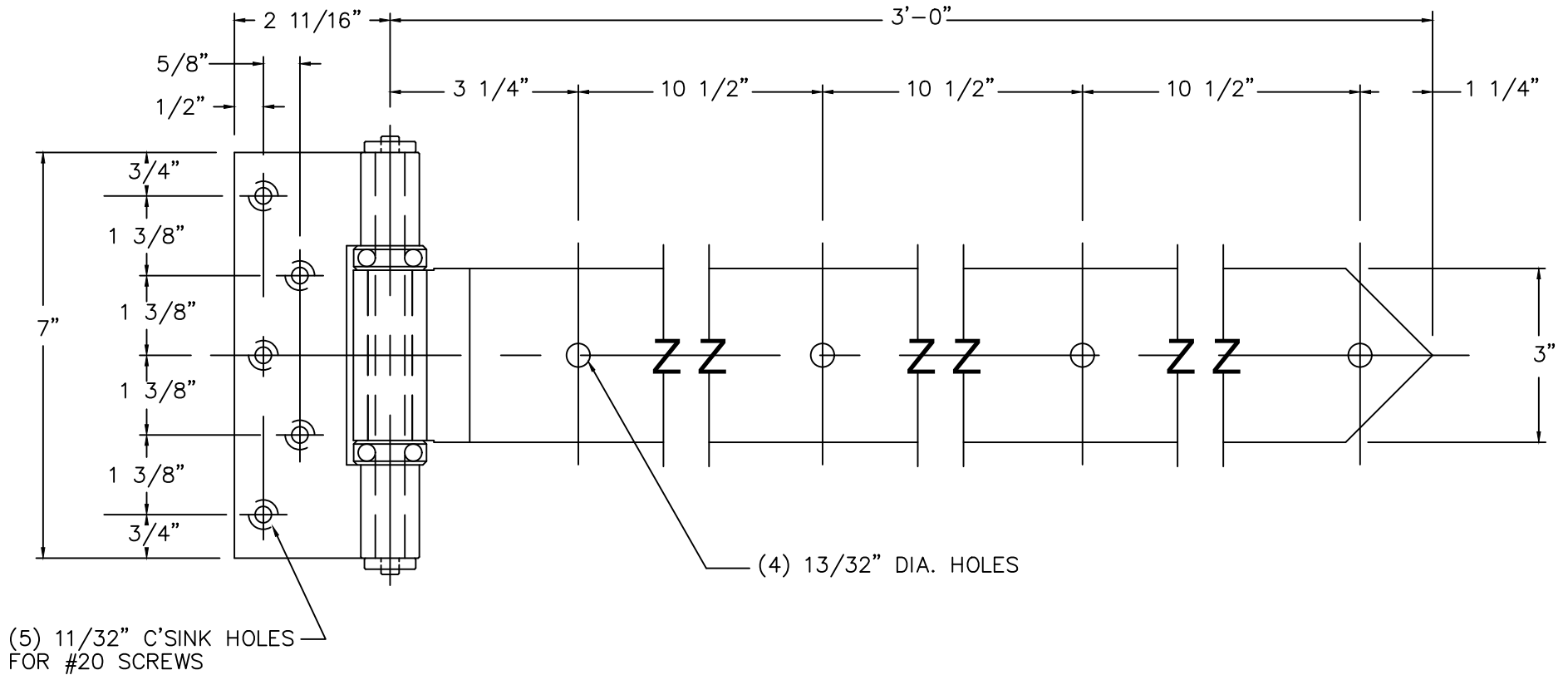
FILE: \\crown-fs\main\engineering\hardware\hinges\9036\9036-p38

THE INFORMATION CONTAINED IN THIS DRAWING IS THE SOLE PROPERTY OF CROWN INDUSTRIAL. ANY REPRODUCTION IN PART OR AS A WHOLE WITHOUT WRITTEN PERMISSION OF CROWN INDUSTRIAL IS PROHIBITED.

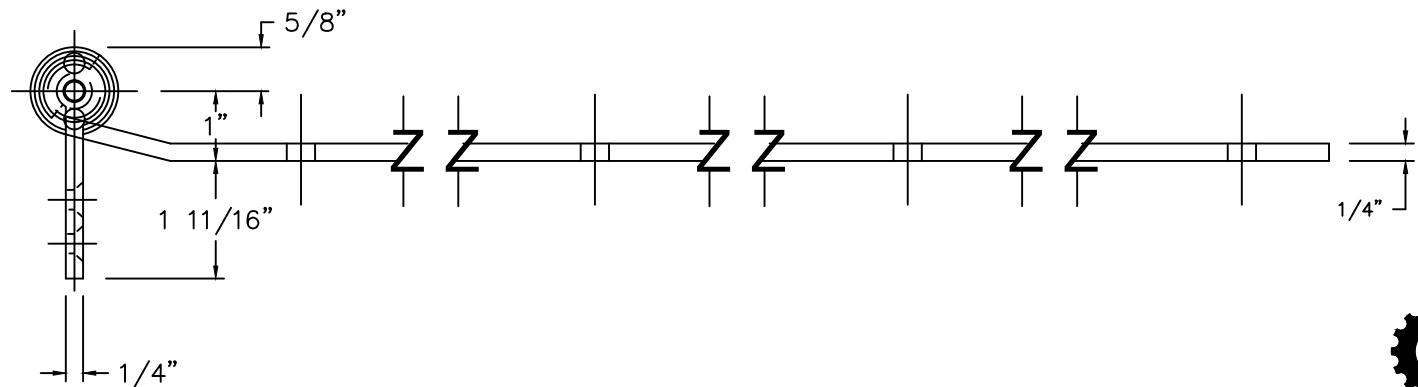


**CROWN INDUSTRIAL**  
So. San Francisco, Ca  
(650) 952-5150  
www.crown-industrial.com

REVISIONS			
REV.	DESCRIPTION	DATE	APPROVED



NOTE:  
PINTLE SHOWN IN FULL  
CLOSED POSITION



DWG #9036-P40  
DESCRIP: Hinge, Ball Bearing  
DRAWN:BCM  
SHEET # 1

FILE: \\crown-fs\main\engineering\hardware\hinges\9036\9036-p40

THE INFORMATION CONTAINED IN THIS DRAWING IS THE SOLE PROPERTY OF CROWN INDUSTRIAL. ANY REPRODUCTION IN PART OR AS A WHOLE WITHOUT WRITTEN PERMISSION OF CROWN INDUSTRIAL IS PROHIBITED.



**CROWN  
INDUSTRIAL**  
So. San Francisco, Ca  
(650) 952-5150  
www.crown-industrial.com