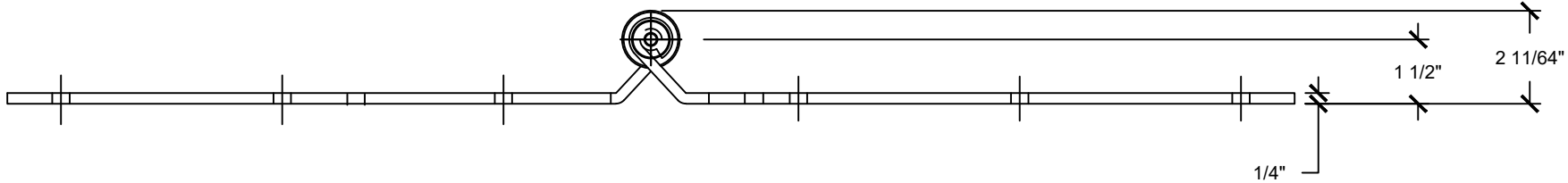
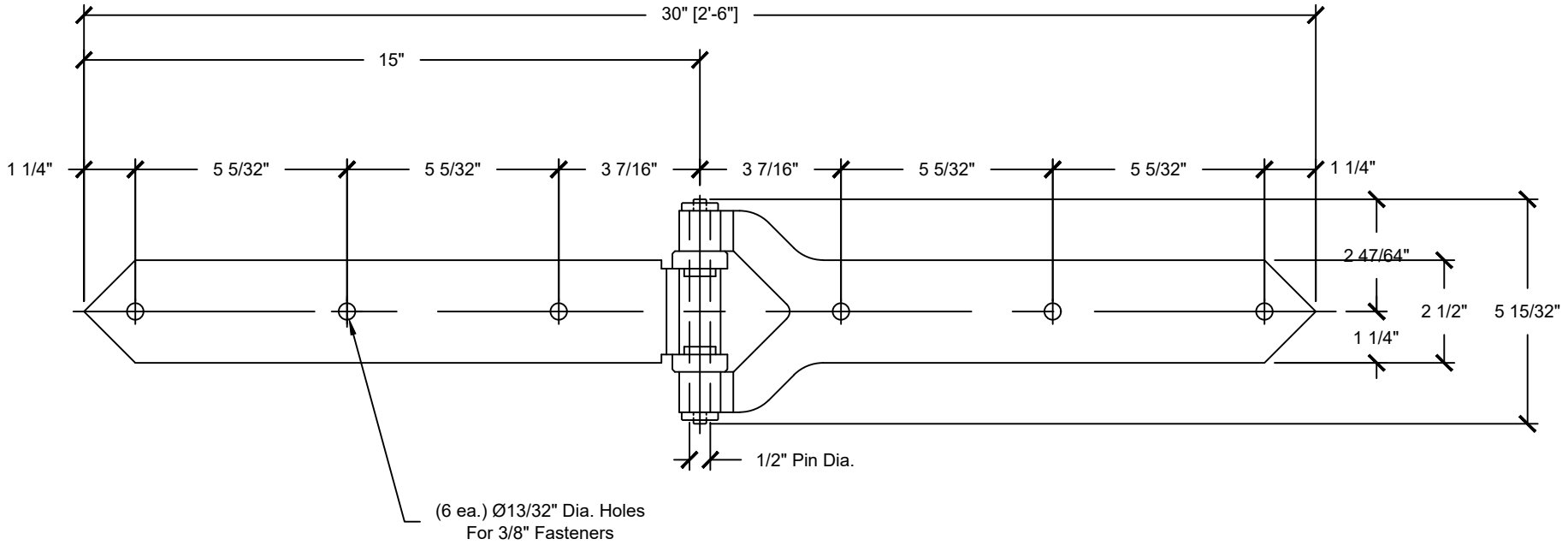


REVISIONS			
REV.	DESCRIPTION	DATE	APPROVED



DWG #9040P13
 DESCRIP: 9040 P13 1-1/2" OFFSET 15" HINGE, BALL BEARING
 DRAWN:WRM 2-7-12 REV:
 SCALE: 3" = 1'-0"
 SHEET # 1
 FILE: \\crown-fs2\main\engineering\hardware\hinges\9040\9040p13

THE INFORMATION CONTAINED IN THIS DRAWING IS THE SOLE PROPERTY OF CROWN INDUSTRIAL. ANY REPRODUCTION IN PART OR AS A WHOLE WITHOUT WRITTEN PERMISSION OF CROWN INDUSTRIAL IS PROHIBITED.

