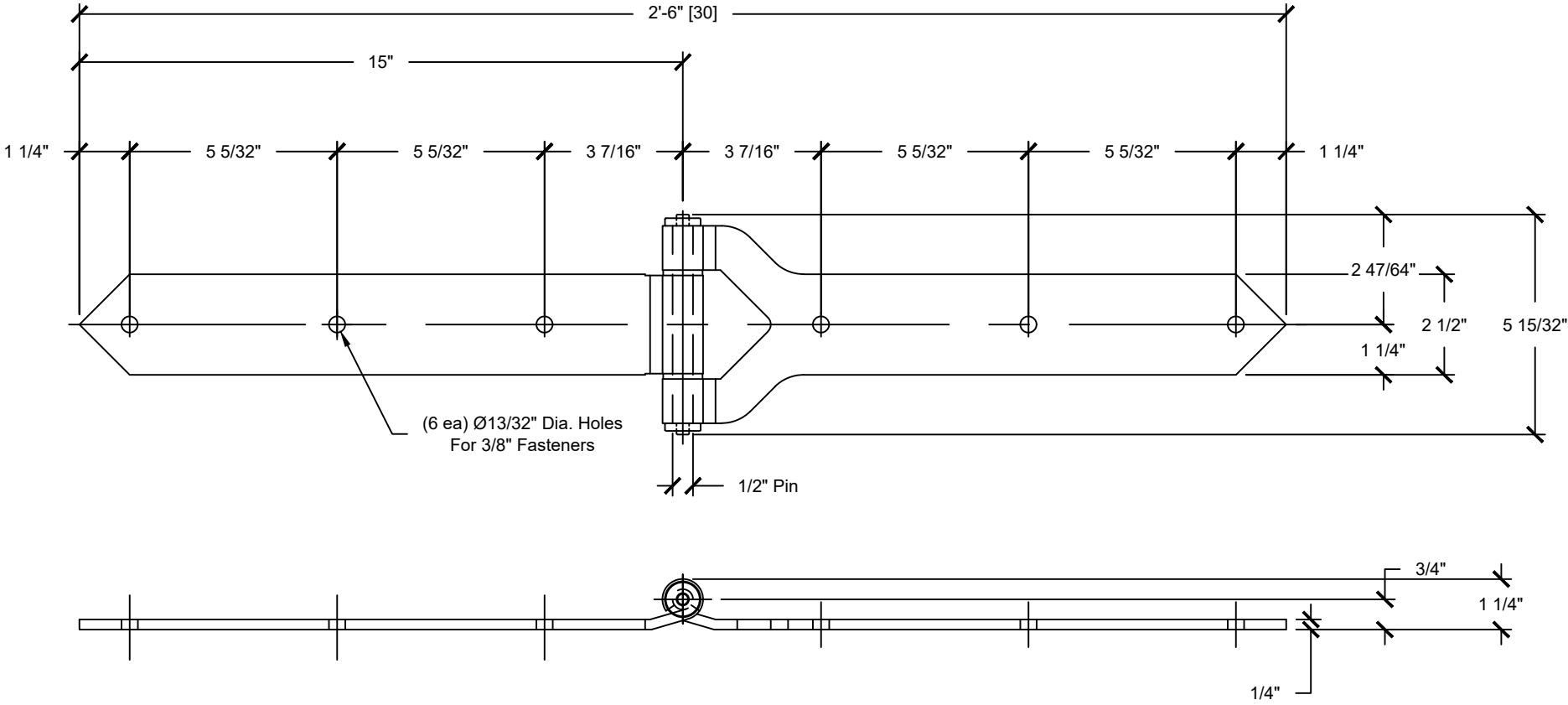


REVISIONS			
REV.	DESCRIPTION	DATE	APPROVED



DWG #9040-P6
 DESCRIP: 9040 P6 HINGE
 DRAWN:WRM 7/26/11 REV:
 SCALE: 3" = 1'-0"
 SHEET #1

FILE: \\crown-fs2\main\engineering\hardware\hinges\9040\9040p6

THE INFORMATION CONTAINED IN THIS DRAWING IS THE SOLE PROPERTY OF CROWN INDUSTRIAL. ANY REPRODUCTION IN PART OR AS A WHOLE WITHOUT WRITTEN PERMISSION OF CROWN INDUSTRIAL IS PROHIBITED.

