

4

3

2

1

D

D

C

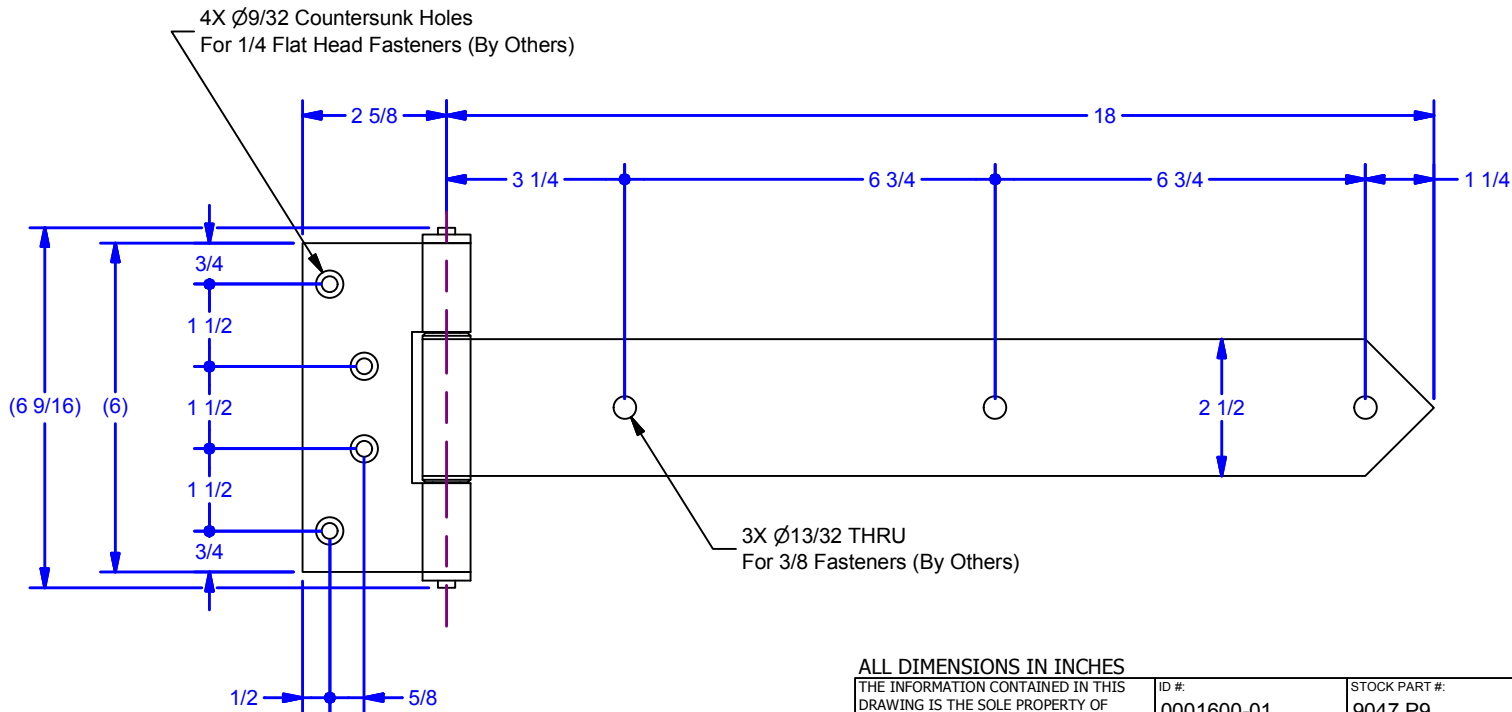
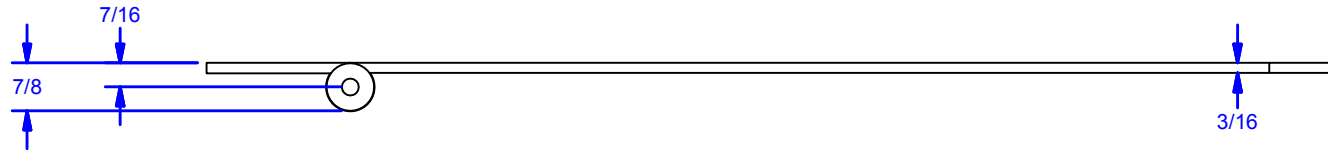
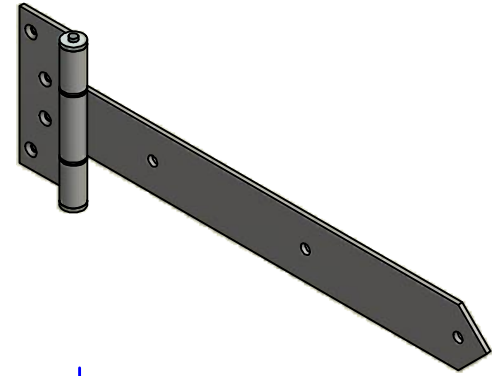
C

B

B

A

A



DWG #: 9047
 DRAWN:BCM 2/11/2014
 SHEET #1
 File: 0001599.idw

Avail. Finishes:
 Powder Coat Tan
 Powder Coat Black
 Hot Dipped Galvanized

ALL DIMENSIONS IN INCHES

THE INFORMATION CONTAINED IN THIS DRAWING IS THE SOLE PROPERTY OF CROWN INDUSTRIAL. ANY REPRODUCTION IN PART OR AS A WHOLE WITHOUT THE WRITTEN PERMISSION OF CROWN INDUSTRIAL IS PROHIBITED.	ID #:	0001600-01	STOCK PART #:	9047 P9
	MATERIAL:			
DESCRIPTION: Full Surface Strap Hinge w/ Butt Type Pintle, 18"				
FINISH:			# PCS:	REV:
			1	



CROWN INDUSTRIAL
 So. San Francisco, Ca
 (650) 952-5150
 www.crown-industrial.com

4

3

2

1



4

3

2

1

D

D

C

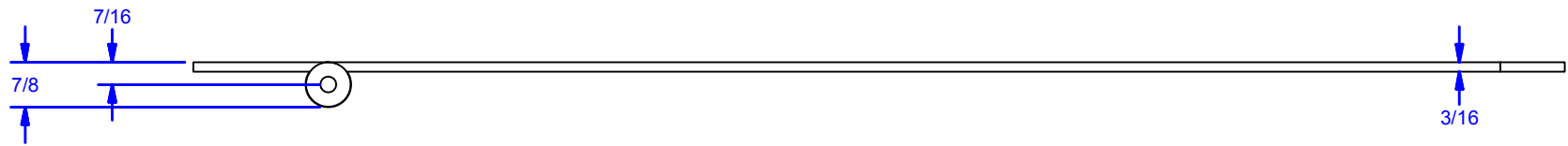
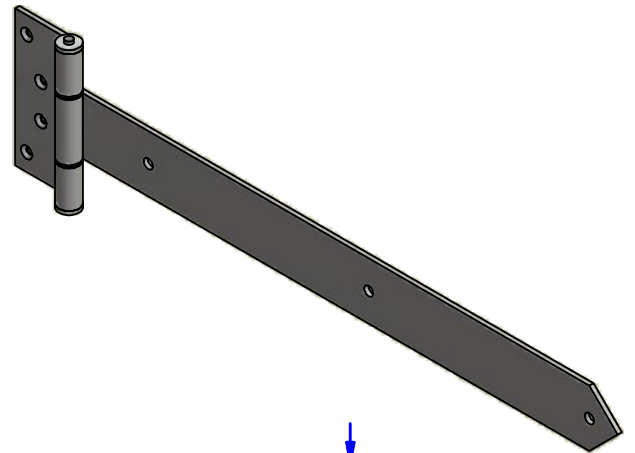
C

B

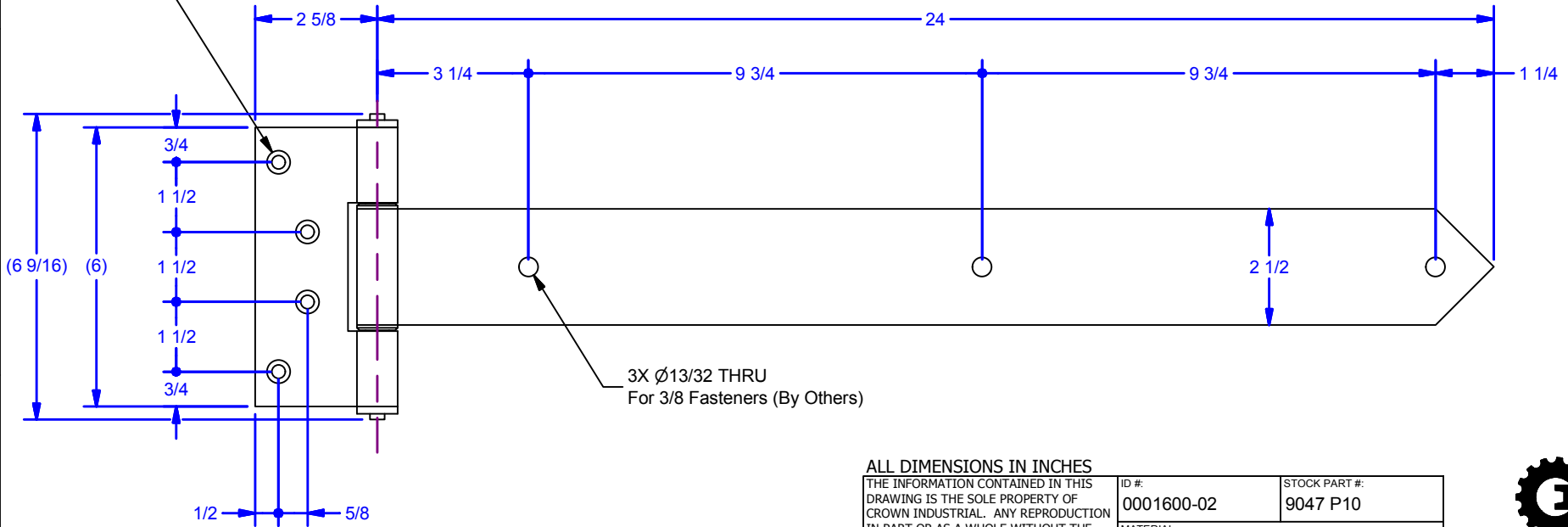
B

A

A



4X Ø9/32 Countersunk Holes
For 1/4 Flat Head Fasteners (By Others)



3X Ø13/32 THRU
For 3/8 Fasteners (By Others)

Avail. Finishes:
Powder Coat Tan
Powder Coat Black
Hot Dipped Galvanized

ALL DIMENSIONS IN INCHES

THE INFORMATION CONTAINED IN THIS DRAWING IS THE SOLE PROPERTY OF CROWN INDUSTRIAL. ANY REPRODUCTION IN PART OR AS A WHOLE WITHOUT THE WRITTEN PERMISSION OF CROWN INDUSTRIAL IS PROHIBITED.	ID #:	0001600-02	STOCK PART #:	9047 P10
	MATERIAL:			
DESCRIPTION: Full Surface Strap Hinge w/ Butt Type Pintle, 24"				
FINISH:			# PCS:	REV:
			1	



CROWN INDUSTRIAL
So. San Francisco, Ca
(650) 952-5150
www.crown-industrial.com

DWG #: 9047
DRAWN:BCM 2/11/2014
SHEET #2
File: 0001599.idw

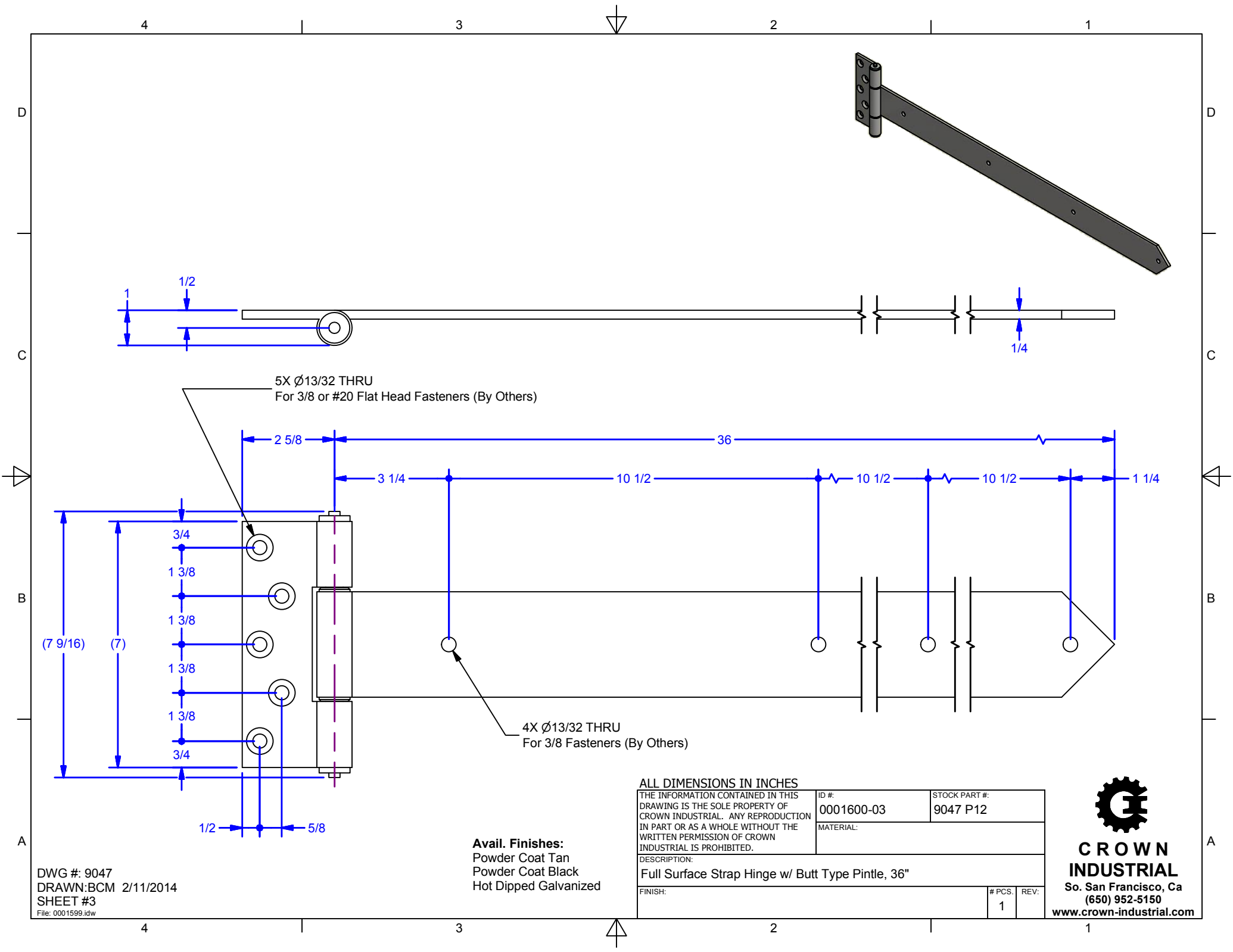
4

3

2

1





DWG #: 9047
 DRAWN:BCM 2/11/2014
 SHEET #3
 File: 0001599.idw

Avail. Finishes:
 Powder Coat Tan
 Powder Coat Black
 Hot Dipped Galvanized

ALL DIMENSIONS IN INCHES

THE INFORMATION CONTAINED IN THIS DRAWING IS THE SOLE PROPERTY OF CROWN INDUSTRIAL. ANY REPRODUCTION IN PART OR AS A WHOLE WITHOUT THE WRITTEN PERMISSION OF CROWN INDUSTRIAL IS PROHIBITED.	ID #: 0001600-03	STOCK PART #: 9047 P12
DESCRIPTION: Full Surface Strap Hinge w/ Butt Type Pintle, 36"	MATERIAL:	
FINISH:	# PCS: 1	REV:



CROWN INDUSTRIAL
 So. San Francisco, Ca
 (650) 952-5150
 www.crown-industrial.com