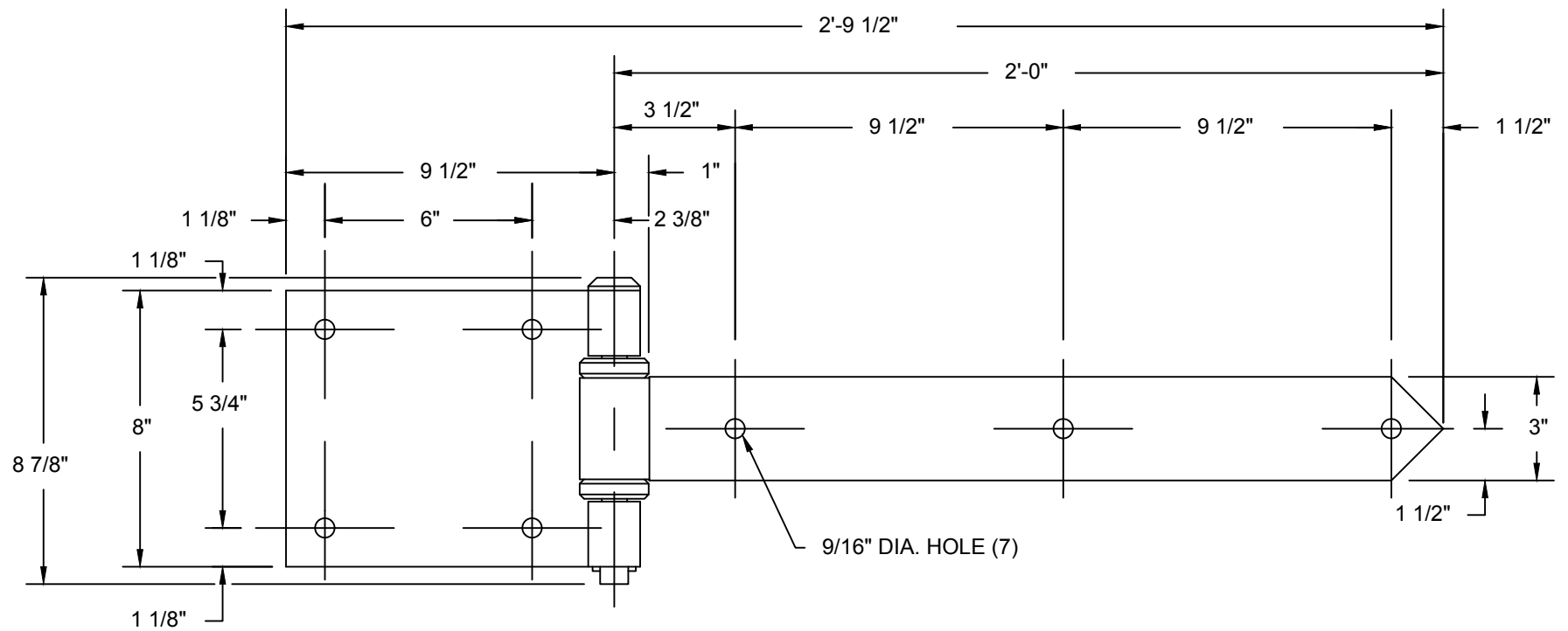
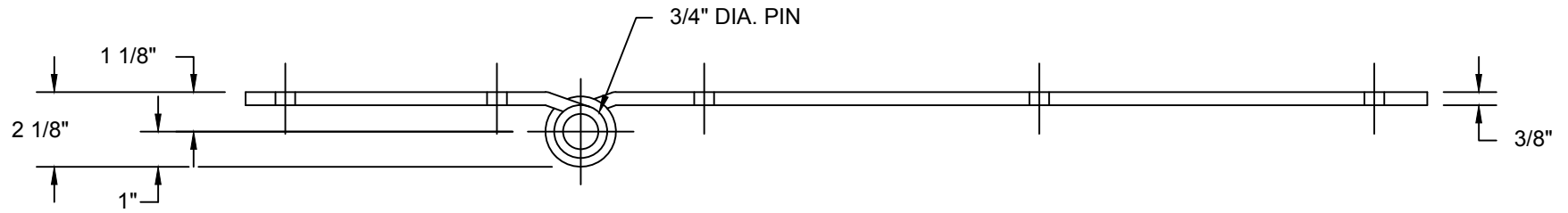


REVISIONS			
REV.	DESCRIPTION	DATE	APPROVED



DWG #934-P290
 DESCRIP: W Hinge, Ball Bearing 3/8" x 3"
 DRAWN:BCM
 SHEET # 1
 FILE:z:\engineering\hardware\hinges\934\934-p290

THE INFORMATION CONTAINED IN THIS DRAWING IS THE SOLE PROPERTY OF CROWN INDUSTRIAL. ANY REPRODUCTION IN PART OR AS A WHOLE WITHOUT WRITTEN PERMISSION OF CROWN INDUSTRIAL IS PROHIBITED.



CROWN INDUSTRIAL
 So. San Francisco, Ca
 (650) 952-5150
 www.crown-industrial.com