

4

3

2

1

D

D

C

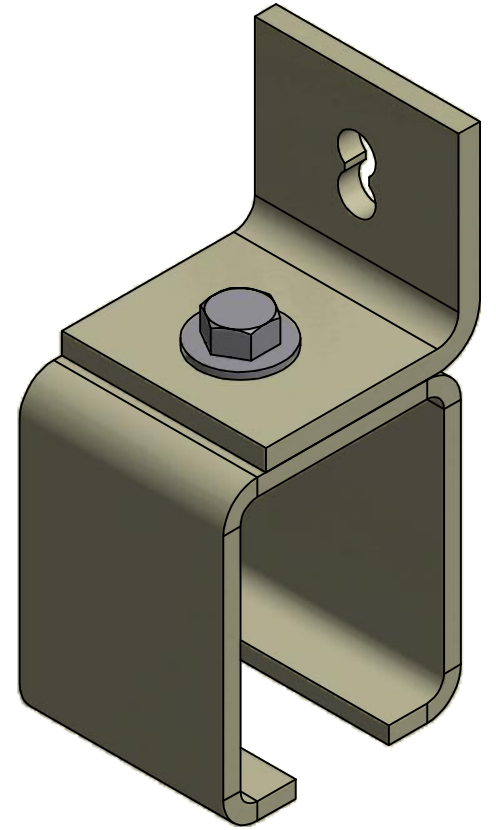
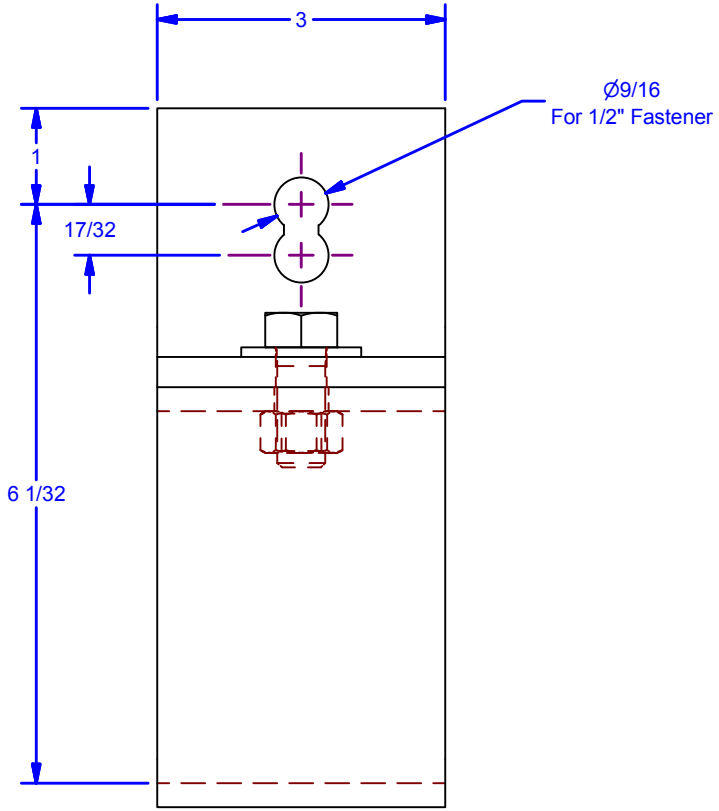
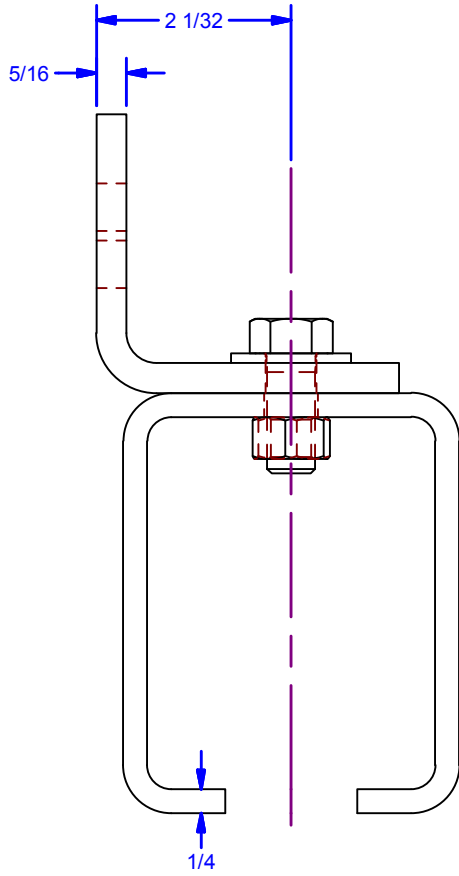
C

B

B

A

A



ALL DIMENSIONS IN INCHES

THE INFORMATION CONTAINED IN THIS DRAWING IS THE SOLE PROPERTY OF CROWN INDUSTRIAL. ANY REPRODUCTION IN PART OR AS A WHOLE WITHOUT THE WRITTEN PERMISSION OF CROWN INDUSTRIAL IS PROHIBITED.

ID #:	0002120
MATERIAL:	

STOCK PART #:	934x10-P199
---------------	-------------

DESCRIPTION:  
Slide-Fold Center Bracket

FINISH:	PC Tan
---------	--------

# PCS:	1
REV:	

DWG #: 934x10  
 DRAWN:BCM 10/30/2015  
 SHEET #3  
 File: 0002122.idw

**CROWN INDUSTRIAL**  
 So. San Francisco, Ca  
 (650) 952-5150  
 www.crown-industrial.com

4

3

2

1

