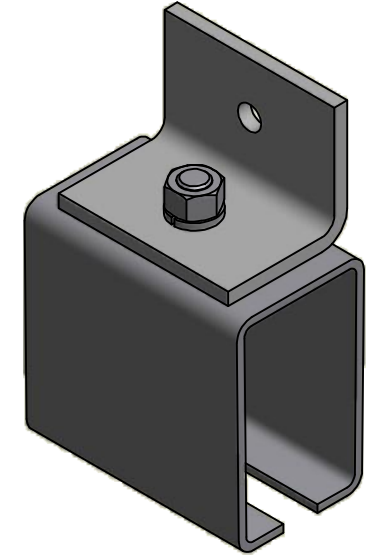
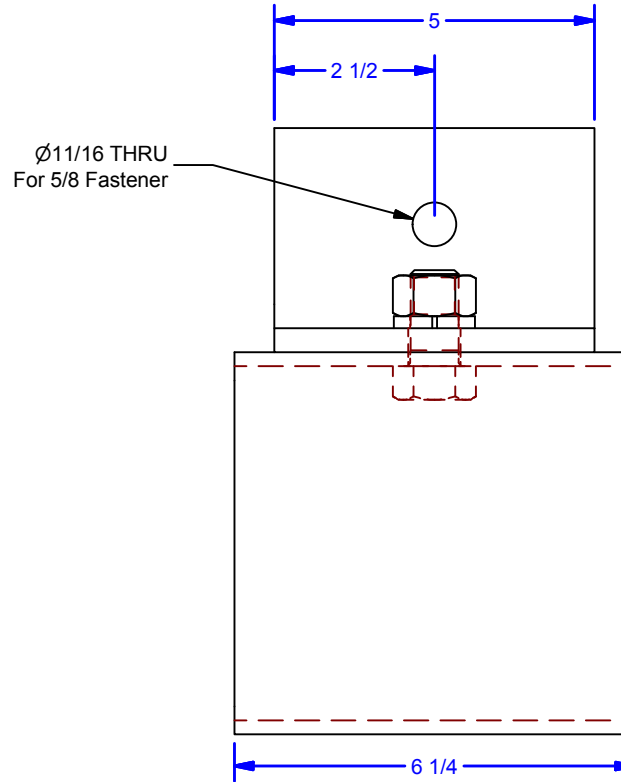
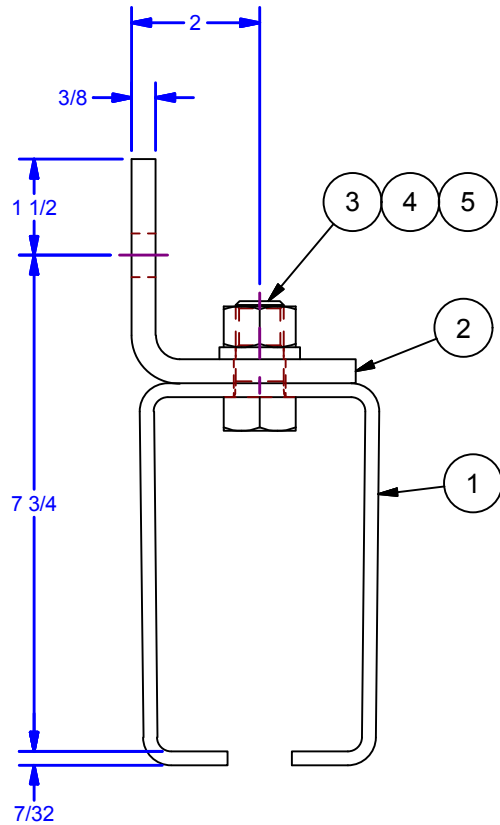


Parts List				
ITEM	QTY	PART #	DESCRIPTION	STOCK #
1	1	0000351	Overhead Center Bracket	25X18
2	1	0002135	Bracket Ear	
3	1	HHMB 3/4-10 UNC - 1.5 Zinc -5	Hex Head Machine Bolt -Grade 5, Zinc	
4	1	3/4 LW Zinc	Lock Washer, Zinc	
5	1	HN 3/4 - 10 Zinc-5	Hex Nut - Grade 5, Zinc	



ALL DIMENSIONS IN INCHES

THE INFORMATION CONTAINED IN THIS DRAWING IS THE SOLE PROPERTY OF CROWN INDUSTRIAL. ANY REPRODUCTION IN PART OR AS A WHOLE WITHOUT THE WRITTEN PERMISSION OF CROWN INDUSTRIAL IS PROHIBITED.	ID #:	0002134	STOCK PART #:	934x25-P229
	MATERIAL:			
DESCRIPTION: Slide-Fold Center Bracket				
FINISH: Powder Coat			# PCS:	1
			REV:	

DWG #: 934x25
DRAWN:BCM 11/9/2015
SHEET #2
File: 0001443.idw

CROWN INDUSTRIAL
So. San Francisco, Ca
(650) 952-5150
www.crown-industrial.com