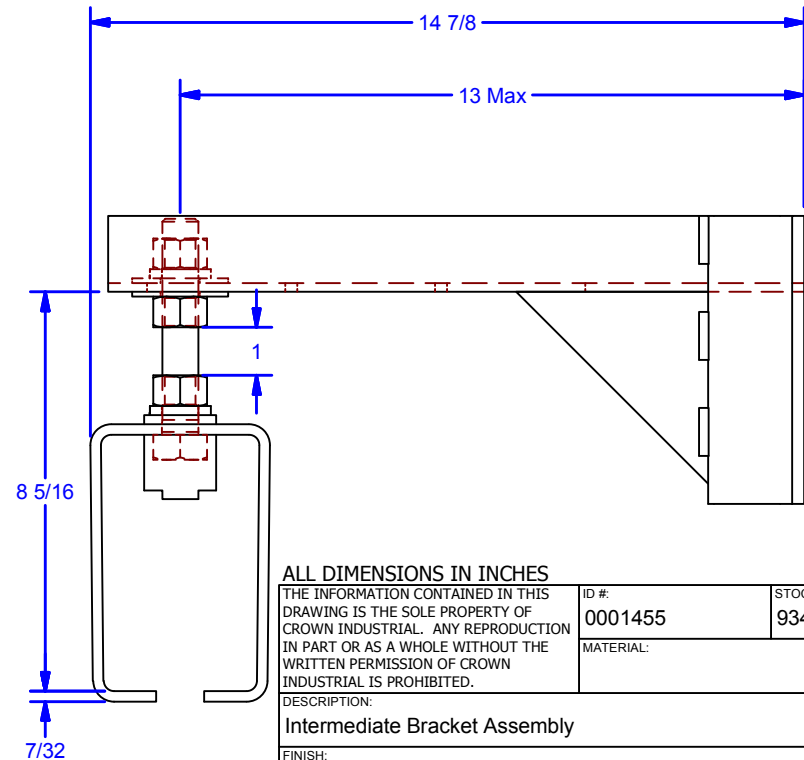
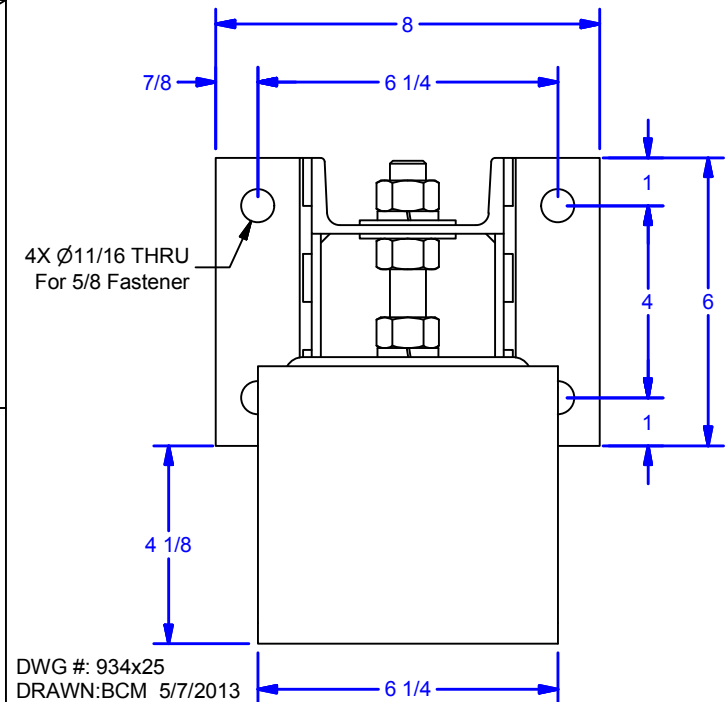
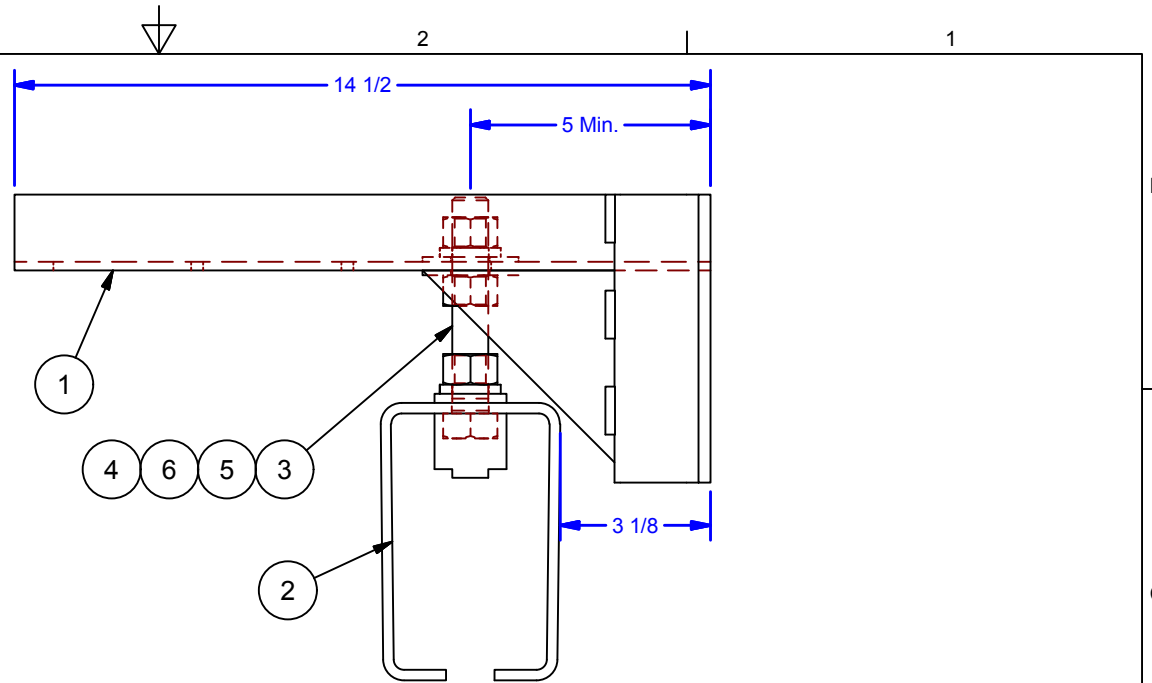
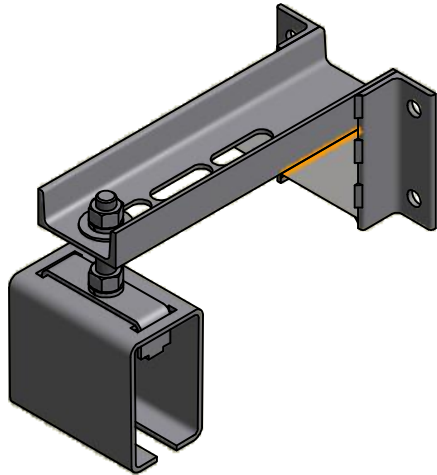


Parts List				
ITEM	QTY	PART #	DESCRIPTION	STOCK #
1	1	0001454	Intermediate Arm Weldment	
2	1	0001268	Overhead Joint Center Bracket Assembly	25X189
3	1	3/4-10 UNC - 4.5 TB	Hex Head Tap Bolt Grade 5 (HHMB)	
4	2	3/4 - Regular - Type B	Flat Washer (FW)	
5	2	3/4 FW	Lock Washer (LW)	
6	3	N 3/4 - 10	Hex Nut - Grade 5	



DWG #: 934x25  
 DRAWN:BCM 5/7/2013  
 SHEET #3  
 File: 0001443.idw

**ALL DIMENSIONS IN INCHES**

THE INFORMATION CONTAINED IN THIS DRAWING IS THE SOLE PROPERTY OF CROWN INDUSTRIAL. ANY REPRODUCTION IN PART OR AS A WHOLE WITHOUT THE WRITTEN PERMISSION OF CROWN INDUSTRIAL IS PROHIBITED.

DESCRIPTION:  
 Intermediate Bracket Assembly  
 FINISH:  
 Powder Coat

ID #:  
 0001455  
 MATERIAL:

STOCK PART #:  
 934x25-P230

# PCS	REV:
1	



**CROWN INDUSTRIAL**  
 So. San Francisco, Ca  
 (650) 952-5150  
 www.crown-industrial.com