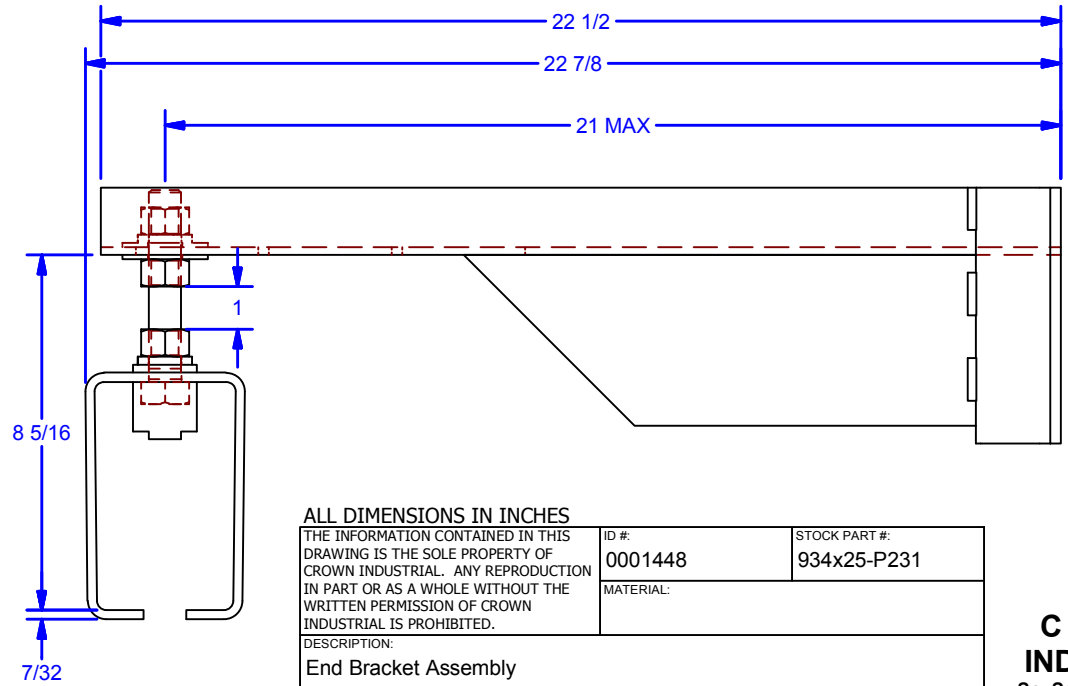
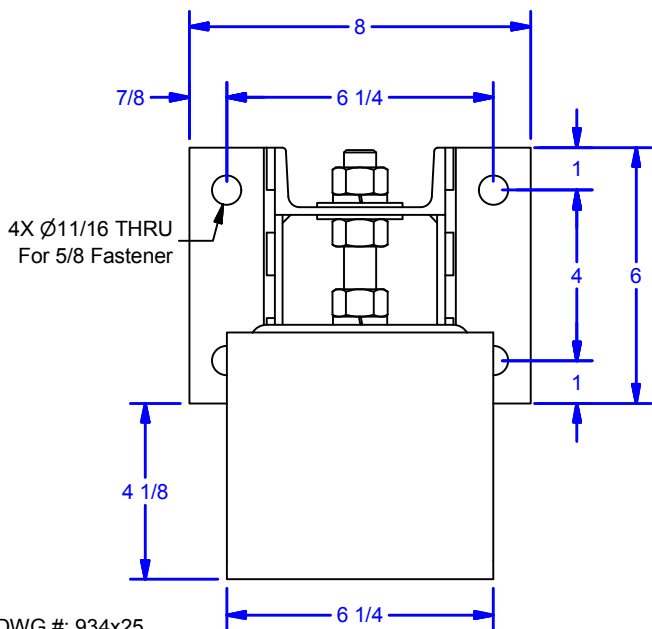
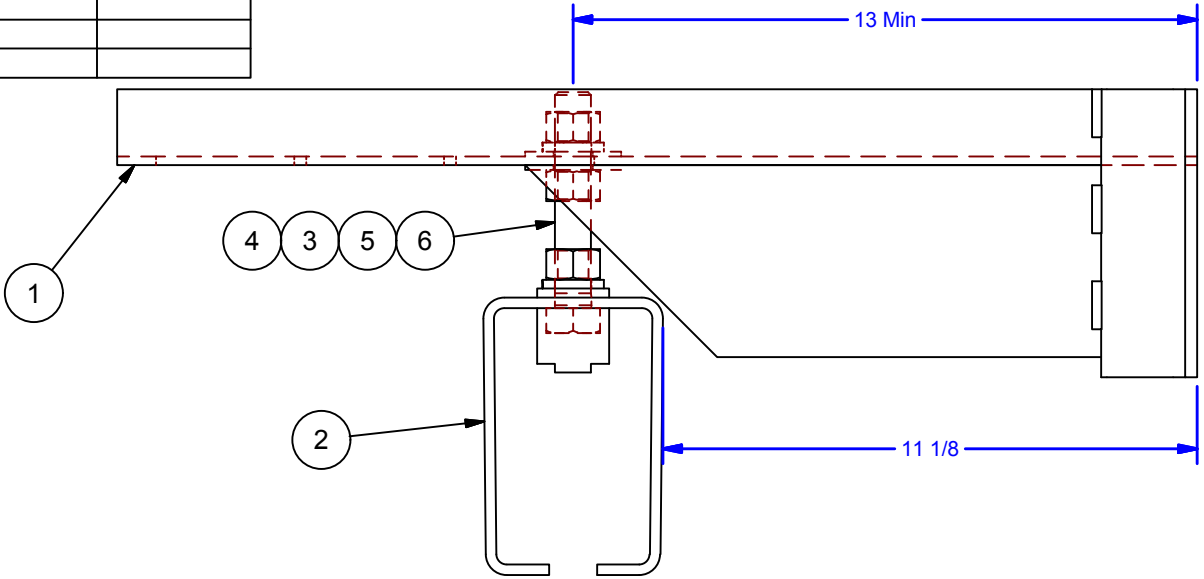
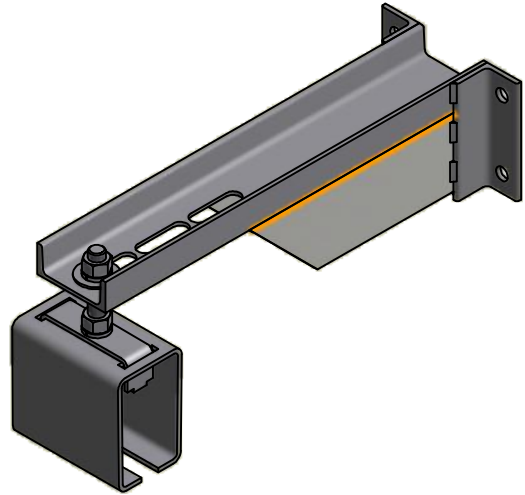


Parts List				
ITEM	QTY	PART #	DESCRIPTION	STOCK #
1	1	0001447	End Arm Assembly	
2	1	0001268	Overhead Joint Center Bracket Assembly	25X189
3	2	3/4 FW	Lock Washer (LW)	
4	2	3/4 - Regular - Type B	Flat Washer (FW)	
5	3	N 3/4 - 10	Hex Nut - Grade 5	
6	1	3/4-10 UNC - 4.5 TB	Hex Head Tap Bolt Grade 5 (HHMB)	



DWG #: 934x25
 DRAWN:BCM 5/1/2013
 SHEET #4
 File: 0001443.idw

ALL DIMENSIONS IN INCHES

THE INFORMATION CONTAINED IN THIS DRAWING IS THE SOLE PROPERTY OF CROWN INDUSTRIAL. ANY REPRODUCTION IN PART OR AS A WHOLE WITHOUT THE WRITTEN PERMISSION OF CROWN INDUSTRIAL IS PROHIBITED.

DESCRIPTION:

End Bracket Assembly

FINISH:
 Powder Coat

ID #:
 0001448

MATERIAL:

STOCK PART #:
 934x25-P231

# PCS:	1
REV:	



CROWN INDUSTRIAL

So. San Francisco, Ca
 (650) 952-5150

www.crown-industrial.com