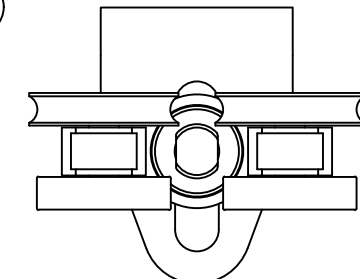
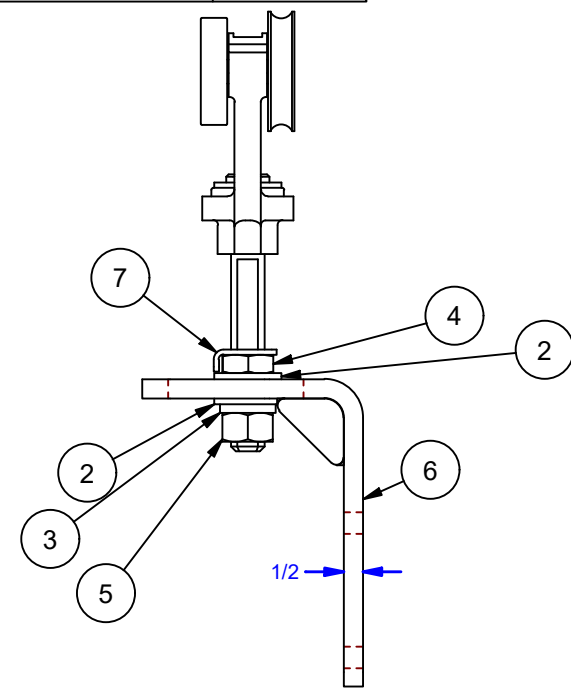
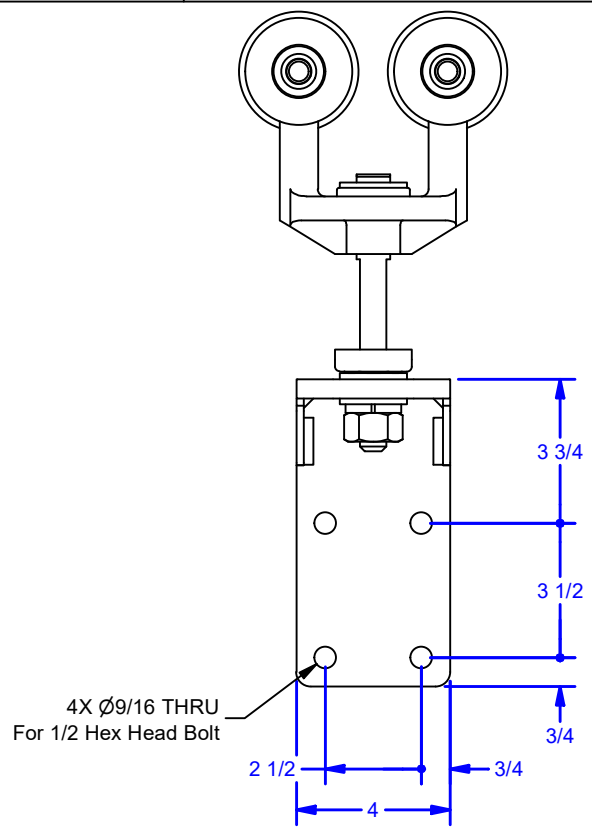
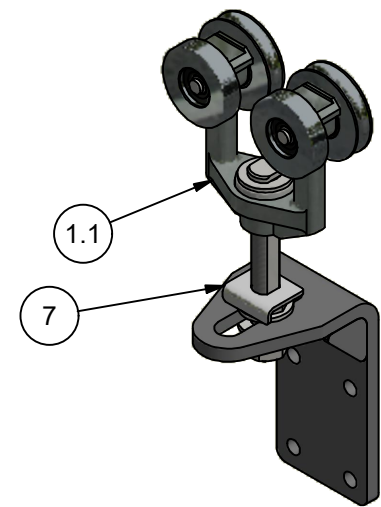


Parts List				
ITEM	QTY	PART #	DESCRIPTION	STOCK #
1	1	0002137	Truck w. Flat Pendant, & Bearing	
1.1	1	0000392	Trolley Body, U shape	
1.2	2	0000390	Trolley Wheel-Grooved Assembly (888)	25.405643
1.3	2	0000391	Trolley Wheel-Flat Assembly (888)	0000391
1.4	2	0000394	Axle: Peened	0000452
1.5	1	405P769	7/8 ID x 1 57/64 OD x 19/32 Unground Thrust Bearing	405P769
1.6	1	SAE FW 7/8 - narrow - Type A	SAE Flat Washer	
1.7	1	405P770	Spl. Flattened Pendant, 25.405	25.405.003
2	2	0002123	Separator Washer	925P99
3	1	7/8 LW Zinc	Lock Washer, Zinc	
4	1	7/8 - 9 UNC JN	Jam Hex Nut - Grade 5, Zinc	
5	1	HN 7/8 - 9 Zinc-5	Hex Nut - Grade 5, Zinc	
6	1	0003154	Side Mount Bracket Slidefold-Hanger	
7	1	0002130-1	Lock Plate for 7/8" Nut	



Top View

ALL DIMENSIONS IN INCHES		
THE INFORMATION CONTAINED IN THIS DRAWING IS THE SOLE PROPERTY OF CROWN INDUSTRIAL. ANY REPRODUCTION IN PART OR AS A WHOLE WITHOUT THE WRITTEN PERMISSION OF CROWN INDUSTRIAL IS PROHIBITED.	ID #:	STOCK PART #:
	0003161	934x25-P28
DESCRIPTION:	MATERIAL:	
Slide-Fold Hanger (Door up to 1,250 lbs.)		
FINISH:	# PCS:	REV:
Zinc Plated Or Powder Coated		



CROWN INDUSTRIAL
 So. San Francisco, Ca
 (650) 952-5150
 www.crown-industrial.com

DWG #: 934x25
 DRAWN:BCM 2/20/2015
 SHEET #2
 File: 0001443.idw