

4

3

2

1

D

D

C

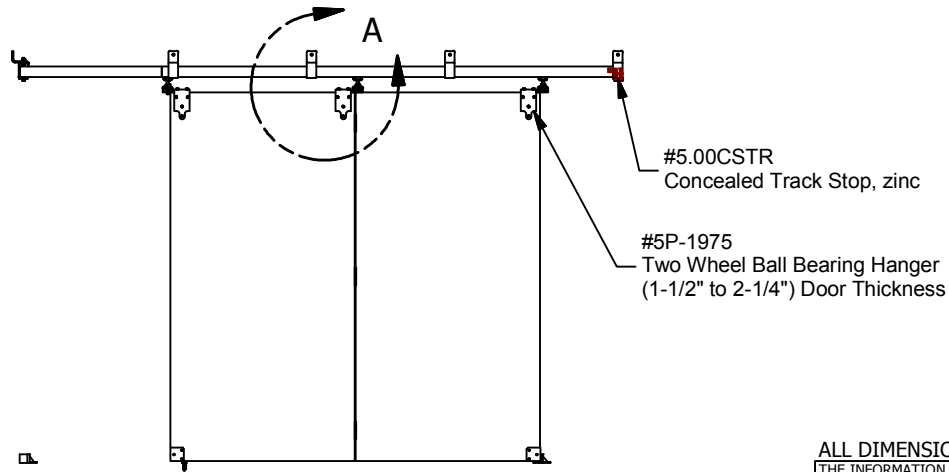
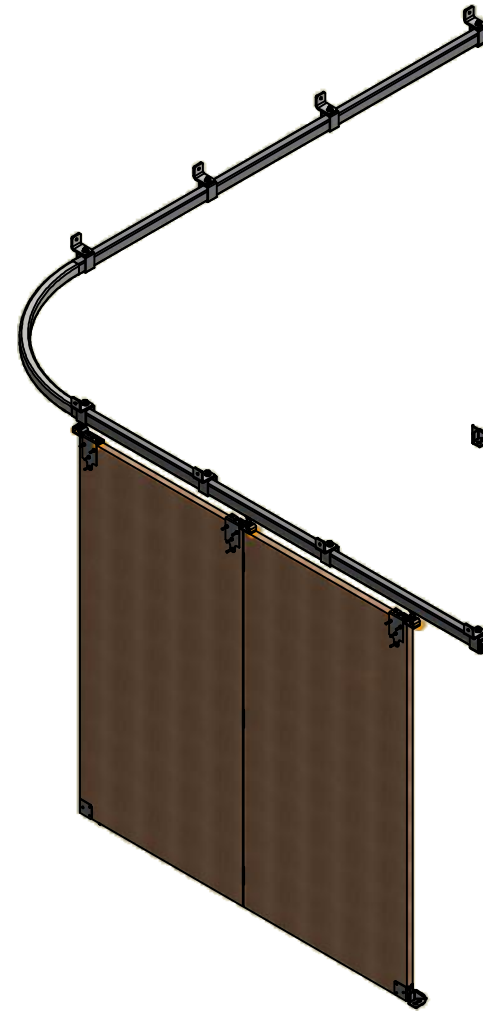
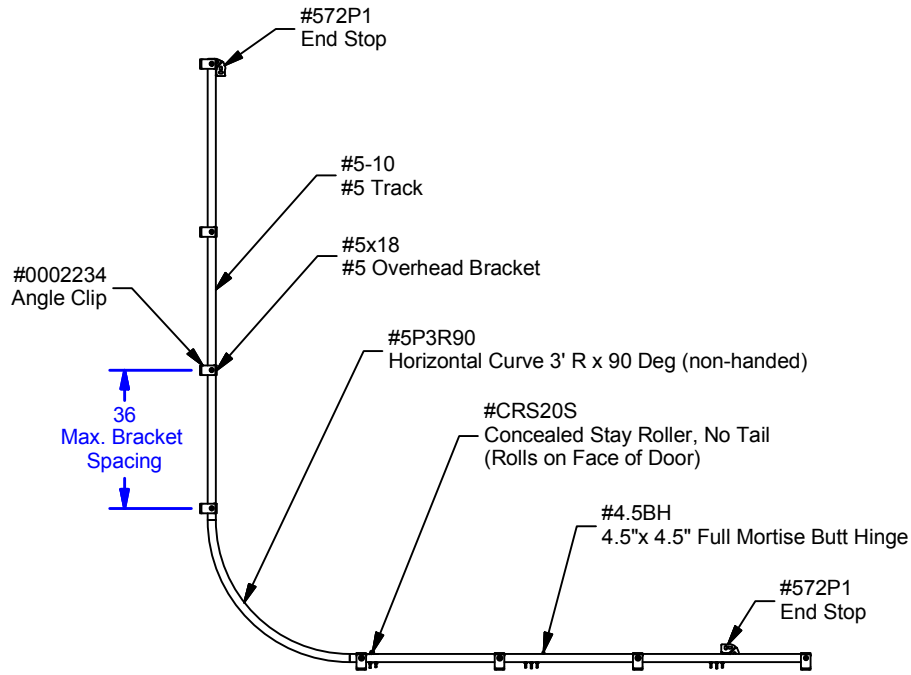
C

B

B

A

A



ALL DIMENSIONS IN INCHES

THE INFORMATION CONTAINED IN THIS DRAWING IS THE SOLE PROPERTY OF CROWN INDUSTRIAL. ANY REPRODUCTION IN PART OR AS A WHOLE WITHOUT THE WRITTEN PERMISSION OF CROWN INDUSTRIAL IS PROHIBITED.	ID #:	STOCK PART #:
	0002232	
DESCRIPTION:	MATERIAL:	
Around The Corner Application		
FINISH:	# PCS:	REV:
	1	

DWG #: 0002238
 DRAWN:BCM 3/8/2016
 SHEET #1
 File: 0002238.idw



CROWN INDUSTRIAL
 So. San Francisco, Ca
 (650) 952-5150
 www.crown-industrial.com

4

3

2

1

4

3

2

1

D

D

C

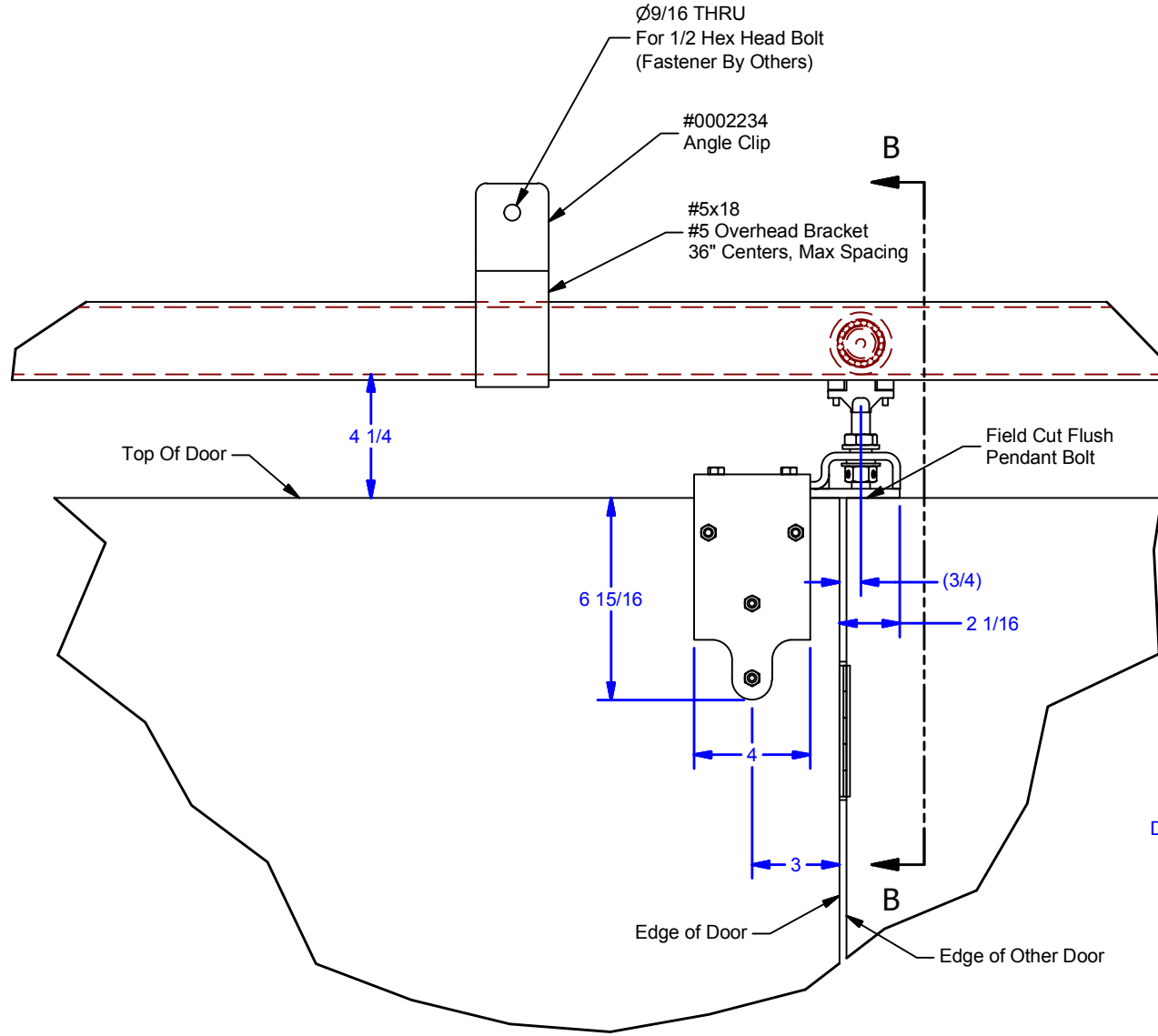
C

B

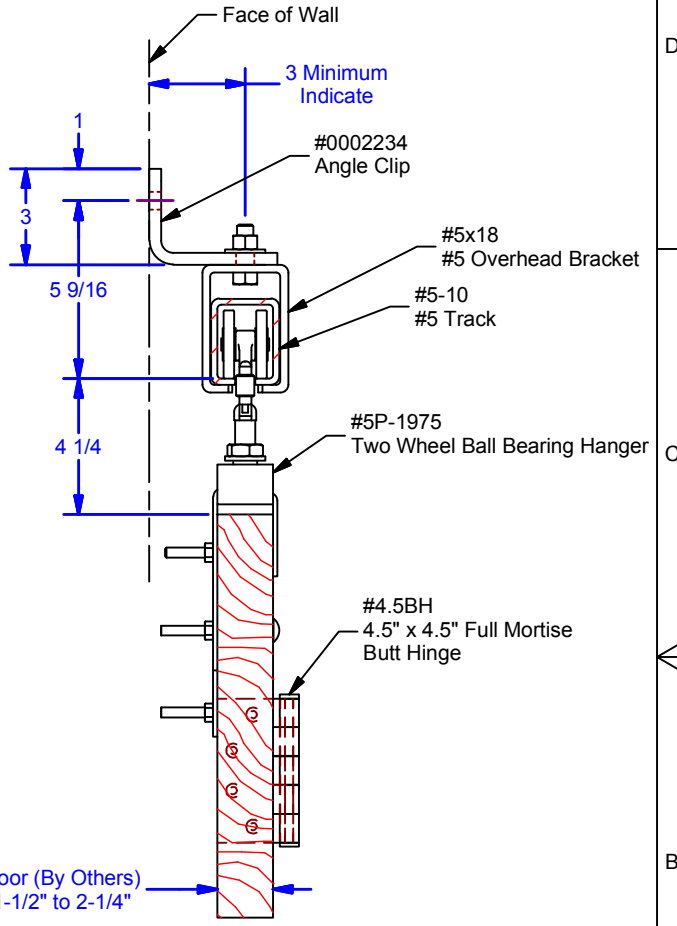
B

A

A



DETAIL A
SCALE 1/6



SECTION B-B
SCALE 1/6

ALL DIMENSIONS IN INCHES

THE INFORMATION CONTAINED IN THIS DRAWING IS THE SOLE PROPERTY OF CROWN INDUSTRIAL. ANY REPRODUCTION IN PART OR AS A WHOLE WITHOUT THE WRITTEN PERMISSION OF CROWN INDUSTRIAL IS PROHIBITED.

DESCRIPTION:
Around The Corner Application

FINISH:

ID #: 0002232

MATERIAL:

STOCK PART #:

# PCS:	1
REV:	

DWG #: 0002238
DRAWN:BCM 3/8/2016
SHEET #2
File: 0002238.idw

CROWN INDUSTRIAL
So. San Francisco, Ca
(650) 952-5150
www.crown-industrial.com

4

3

2

1