

- Thrust Capacity: 800 lbs
- Radial Capacity: 320 lbs
- Torque to Operate Door: 50 lb-in
- For weld on applications: Minimum fillet weld size of 1/4" on (3) sides of each hinge leaf. Weld interpass temperature should not exceed 225 Degrees F

Optional Material: 304 Stainless Steel or 316 Stainless Steel

FINISHES:

Standard: Prime Ptd.

Optional:

- 304 Stainless Steel - 2B Mill Finish
- 316 Stainless Steel - 2B Mill Finish

DWG #: CBI8500
 DRAWN: BCM 9/1/2009
 SHEET #31

File: 0000881.idw

ALL DIMENSIONS IN INCHES

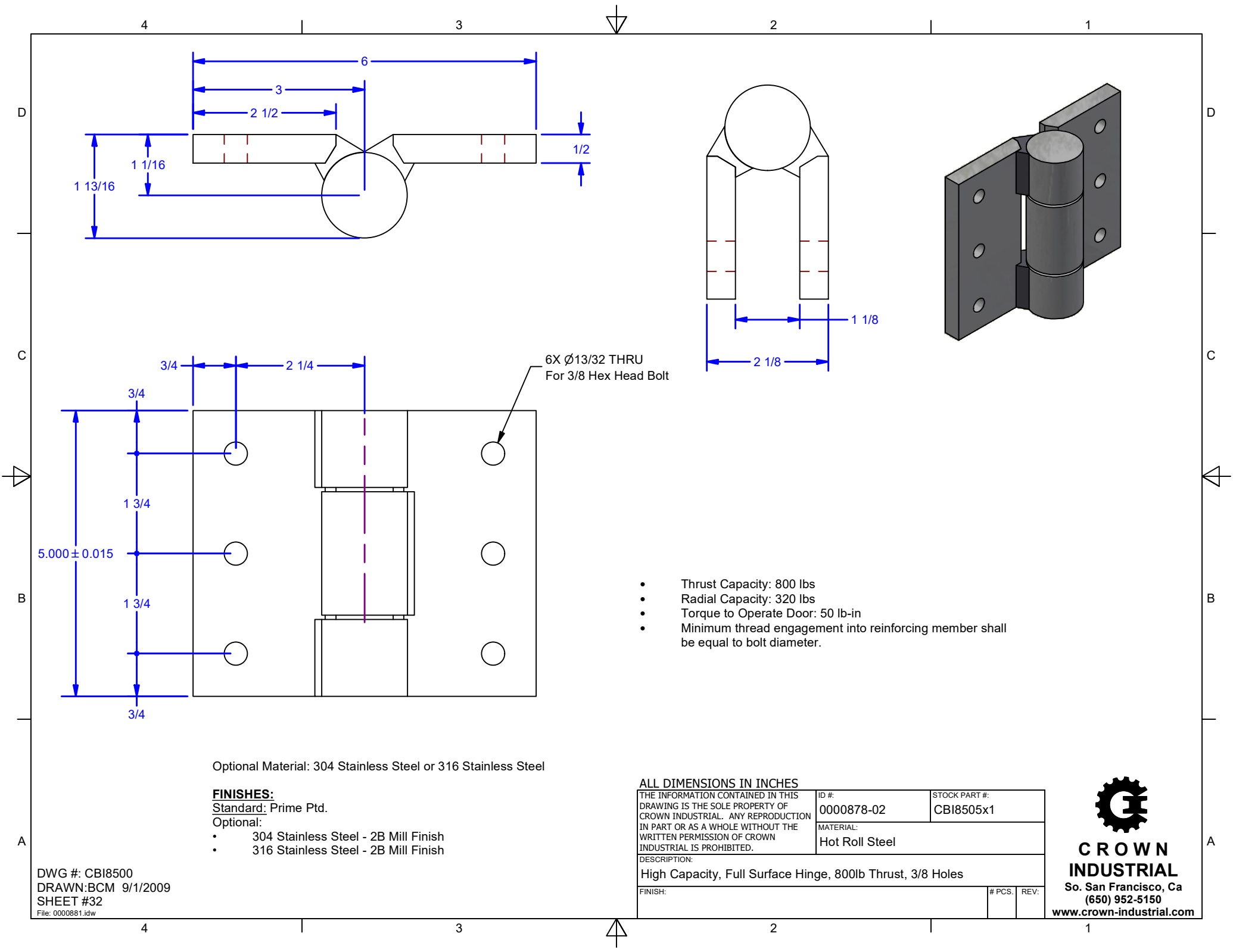
THE INFORMATION CONTAINED IN THIS DRAWING IS THE SOLE PROPERTY OF CROWN INDUSTRIAL. ANY REPRODUCTION IN PART OR AS A WHOLE WITHOUT THE WRITTEN PERMISSION OF CROWN INDUSTRIAL IS PROHIBITED.	ID #:	0000878-01	STOCK PART #:	CBI8505
	MATERIAL:	Hot Roll Steel		
DESCRIPTION: High Capacity, Full Surface Hinge, 800lb Thrust, No Holes				
FINISH:		# PCS:	REV:	



CROWN INDUSTRIAL

So. San Francisco, Ca
 (650) 952-5150

www.crown-industrial.com



Optional Material: 304 Stainless Steel or 316 Stainless Steel

FINISHES:
 Standard: Prime Ptd.
 Optional:

- 304 Stainless Steel - 2B Mill Finish
- 316 Stainless Steel - 2B Mill Finish

- Thrust Capacity: 800 lbs
- Radial Capacity: 320 lbs
- Torque to Operate Door: 50 lb-in
- Minimum thread engagement into reinforcing member shall be equal to bolt diameter.

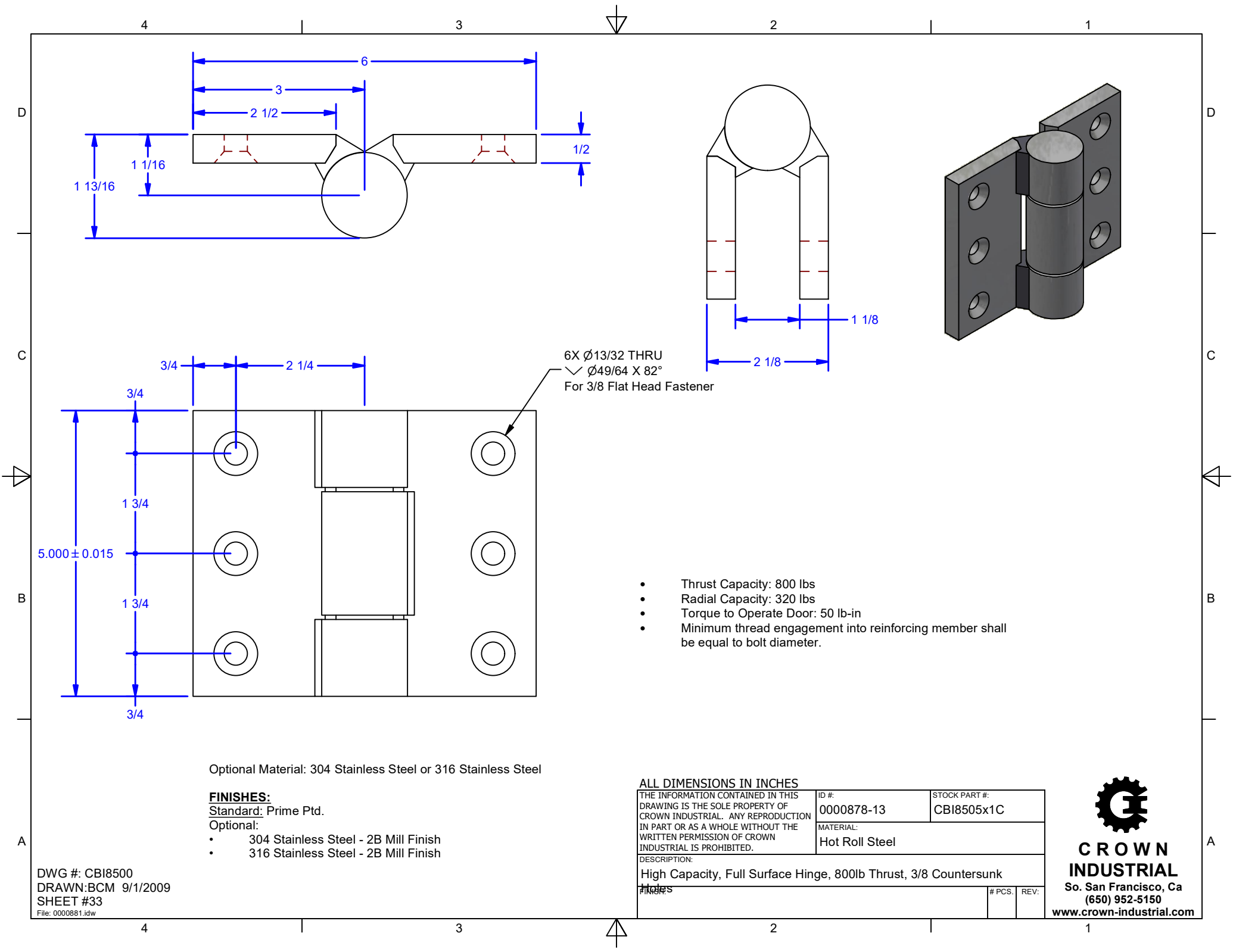
DWG #: CBI8500
 DRAWN:BCM 9/1/2009
 SHEET #32
 File: 0000881.idw

ALL DIMENSIONS IN INCHES

THE INFORMATION CONTAINED IN THIS DRAWING IS THE SOLE PROPERTY OF CROWN INDUSTRIAL. ANY REPRODUCTION IN PART OR AS A WHOLE WITHOUT THE WRITTEN PERMISSION OF CROWN INDUSTRIAL IS PROHIBITED.	ID #:	0000878-02	STOCK PART #:	CBI8505x1
	MATERIAL:	Hot Roll Steel		
DESCRIPTION: High Capacity, Full Surface Hinge, 800lb Thrust, 3/8 Holes				
FINISH:	# PCS:	REV:		



CROWN INDUSTRIAL
 So. San Francisco, Ca
 (650) 952-5150
 www.crown-industrial.com



Optional Material: 304 Stainless Steel or 316 Stainless Steel

FINISHES:

Standard: Prime Ptd.

Optional:

- 304 Stainless Steel - 2B Mill Finish
- 316 Stainless Steel - 2B Mill Finish

DWG #: CBI8500
 DRAWN: BCM 9/1/2009
 SHEET #33
 File: 0000881.idw

ALL DIMENSIONS IN INCHES

THE INFORMATION CONTAINED IN THIS DRAWING IS THE SOLE PROPERTY OF CROWN INDUSTRIAL. ANY REPRODUCTION IN PART OR AS A WHOLE WITHOUT THE WRITTEN PERMISSION OF CROWN INDUSTRIAL IS PROHIBITED.	ID #:	0000878-13	STOCK PART #:	CBI8505x1C
	MATERIAL:	Hot Roll Steel		
DESCRIPTION: High Capacity, Full Surface Hinge, 800lb Thrust, 3/8 Countersunk Holes				
# Holes	# PCS	REV:		



CROWN INDUSTRIAL

So. San Francisco, Ca
 (650) 952-5150

www.crown-industrial.com

4

3

2

1

D

D

C

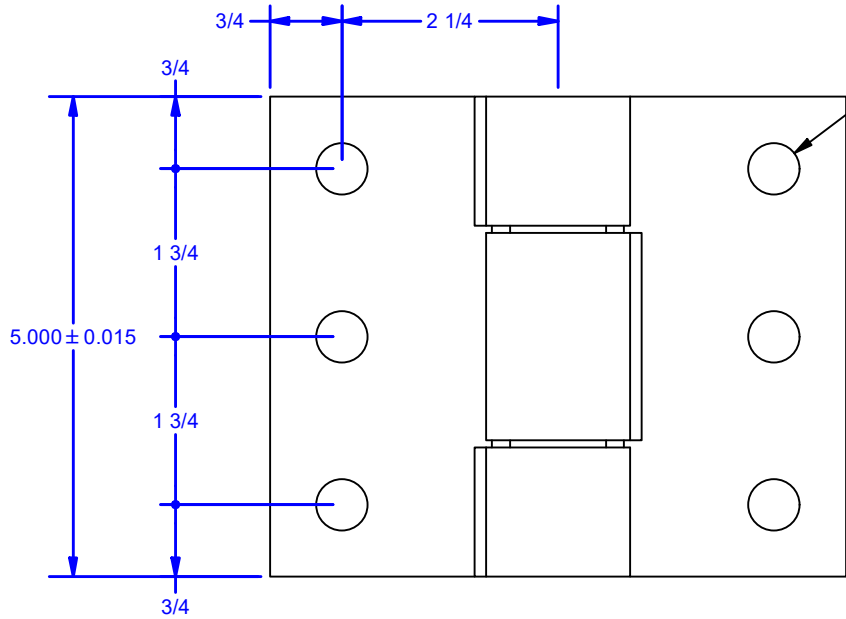
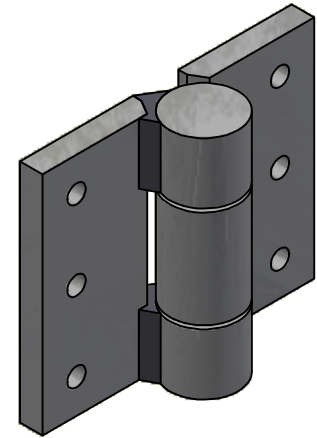
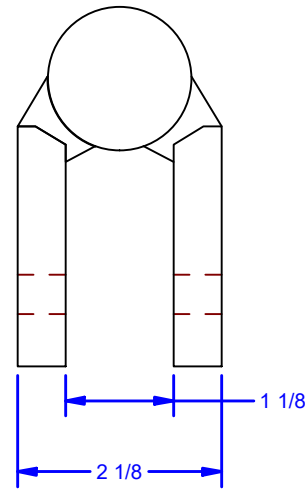
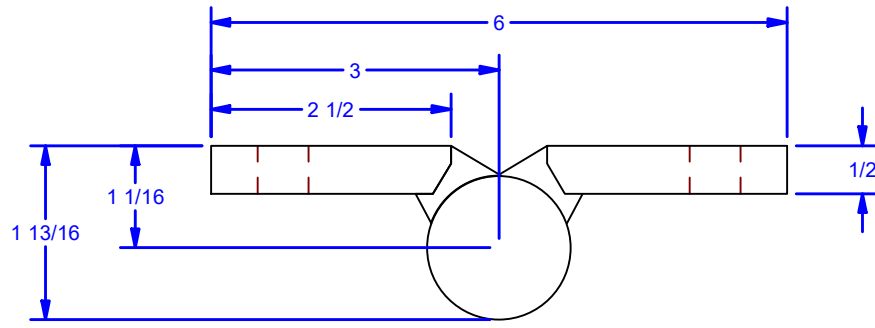
C

B

B

A

A



6X Ø17/32 THRU
For 1/2 Hex Head Bolt

- Thrust Capacity: 800 lbs
- Radial Capacity: 320 lbs
- Torque to Operate Door: 50 lb-in
- Minimum thread engagement into reinforcing member shall be equal to bolt diameter.

Optional Material: 304 Stainless Steel or 316 Stainless Steel

FINISHES:
Standard: Prime Ptd.
Optional:
• 304 Stainless Steel - 2B Mill Finish
• 316 Stainless Steel - 2B Mill Finish

DWG #: CBI8500
DRAWN:BCM 9/1/2009
SHEET #34
File: 0000881.idw

ALL DIMENSIONS IN INCHES

THE INFORMATION CONTAINED IN THIS DRAWING IS THE SOLE PROPERTY OF CROWN INDUSTRIAL. ANY REPRODUCTION IN PART OR AS A WHOLE WITHOUT THE WRITTEN PERMISSION OF CROWN INDUSTRIAL IS PROHIBITED.	ID #:	0000878-03	STOCK PART #:	CBI8505x2
	MATERIAL:	Hot Roll Steel		
DESCRIPTION: High Capacity, Full Surface Hinge, 800lb Thrust, 1/2 Holes				
FINISH:	# PCS:	REV:		



CROWN INDUSTRIAL
So. San Francisco, Ca
(650) 952-5150
www.crown-industrial.com

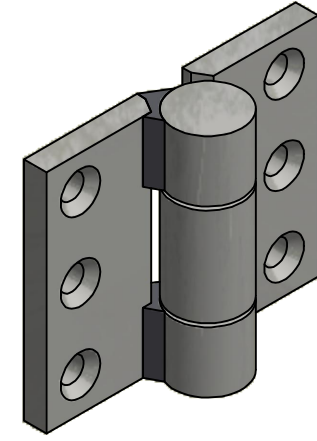
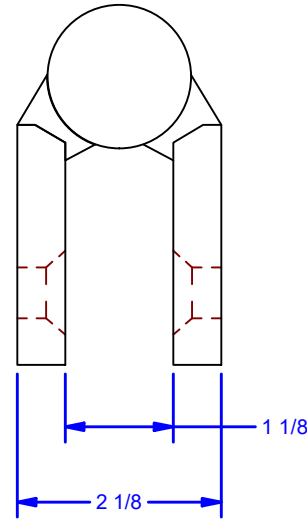
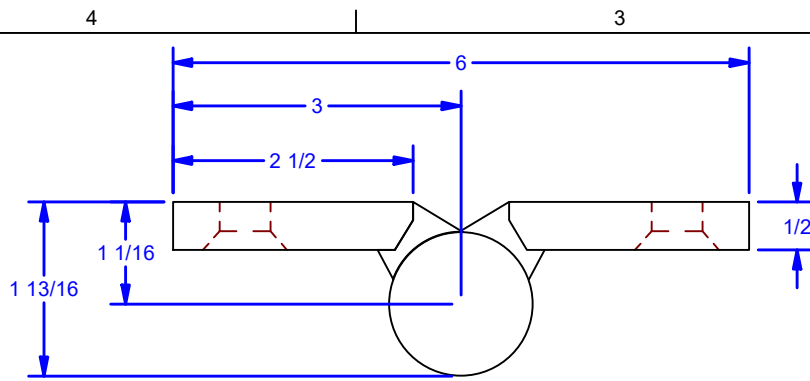
4

3

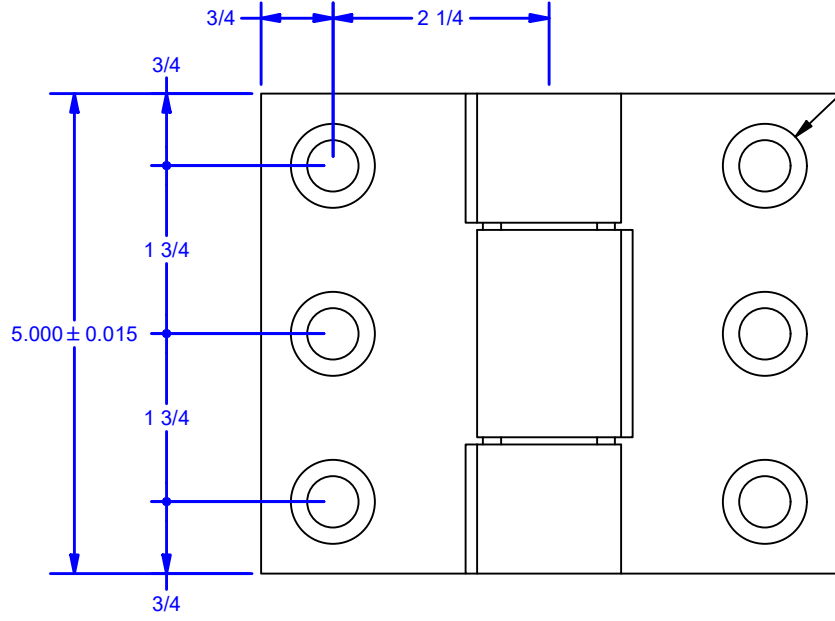
2

1





6X $\text{Ø}17/32$ THRU
 $\sphericalangle \text{Ø}7/8 \times 82^\circ$
 For 1/2 Flat Head Fastener



- Thrust Capacity: 800 lbs
- Radial Capacity: 320 lbs
- Torque to Operate Door: 50 lb-in
- Minimum thread engagement into reinforcing member shall be equal to bolt diameter.

Optional Material: 304 Stainless Steel or 316 Stainless Steel

- FINISHES:**
 Standard: Prime Ptd.
 Optional:
- 304 Stainless Steel - 2B Mill Finish
 - 316 Stainless Steel - 2B Mill Finish

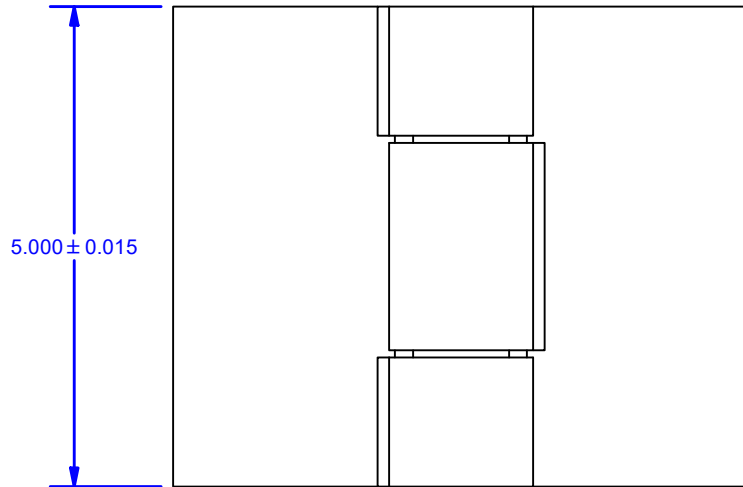
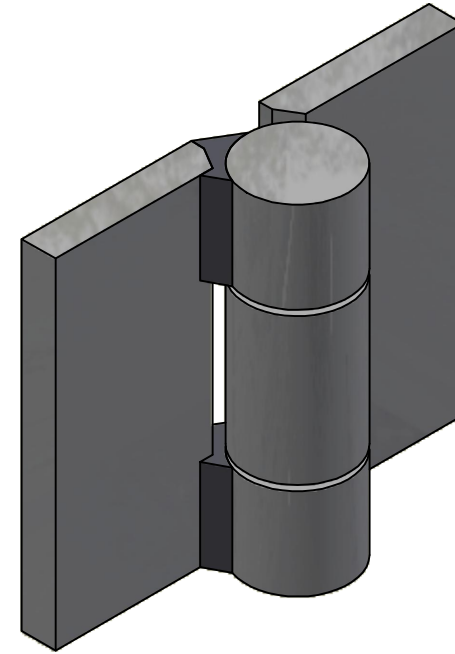
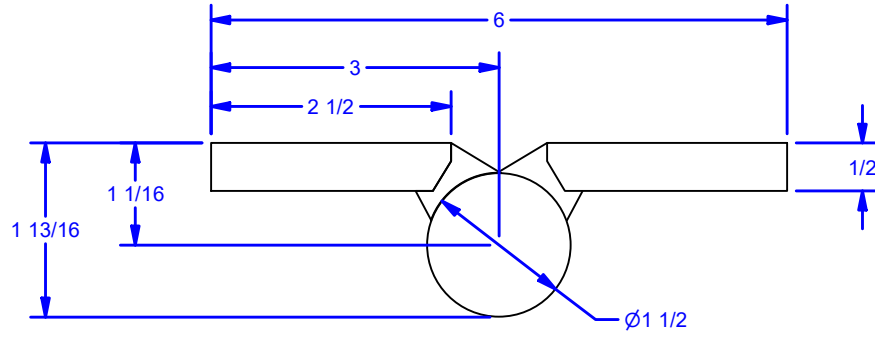
DWG #: CBI8500
 DRAWN:BCM 9/1/2009
 SHEET #35
 File: 0000881.idw

ALL DIMENSIONS IN INCHES

THE INFORMATION CONTAINED IN THIS DRAWING IS THE SOLE PROPERTY OF CROWN INDUSTRIAL. ANY REPRODUCTION IN PART OR AS A WHOLE WITHOUT THE WRITTEN PERMISSION OF CROWN INDUSTRIAL IS PROHIBITED.	ID #:	0000878-14	STOCK PART #:	CBI8505x2C
	DESCRIPTION:	High Capacity, Full Surface Hinge, 800lb Thrust, 1/2 Countersunk		
MATERIAL:	Hot Roll Steel			
# PCS:		# PCS:		REV:



CROWN INDUSTRIAL
 So. San Francisco, Ca
 (650) 952-5150
 www.crown-industrial.com



- Thrust Capacity: 2,000 lbs
- Radial Capacity: 800 lbs
- Torque to Operate Door: 5 lb-in
- For weld on applications: Minimum fillet weld size of 1/4" on (3) sides of each hinge leaf. Weld interpass temperature should not exceed 225 Degrees F

Optional Material: 304 Stainless Steel or 316 Stainless Steel

FINISHES:

Standard: Prime Ptd.

Optional:

- 304 Stainless Steel - 2B Mill Finish
- 316 Stainless Steel - 2B Mill Finish

DWG #: CBI8500
 DRAWN:BCM 9/1/2009
 SHEET #36

File: 0000881.idw

ALL DIMENSIONS IN INCHES

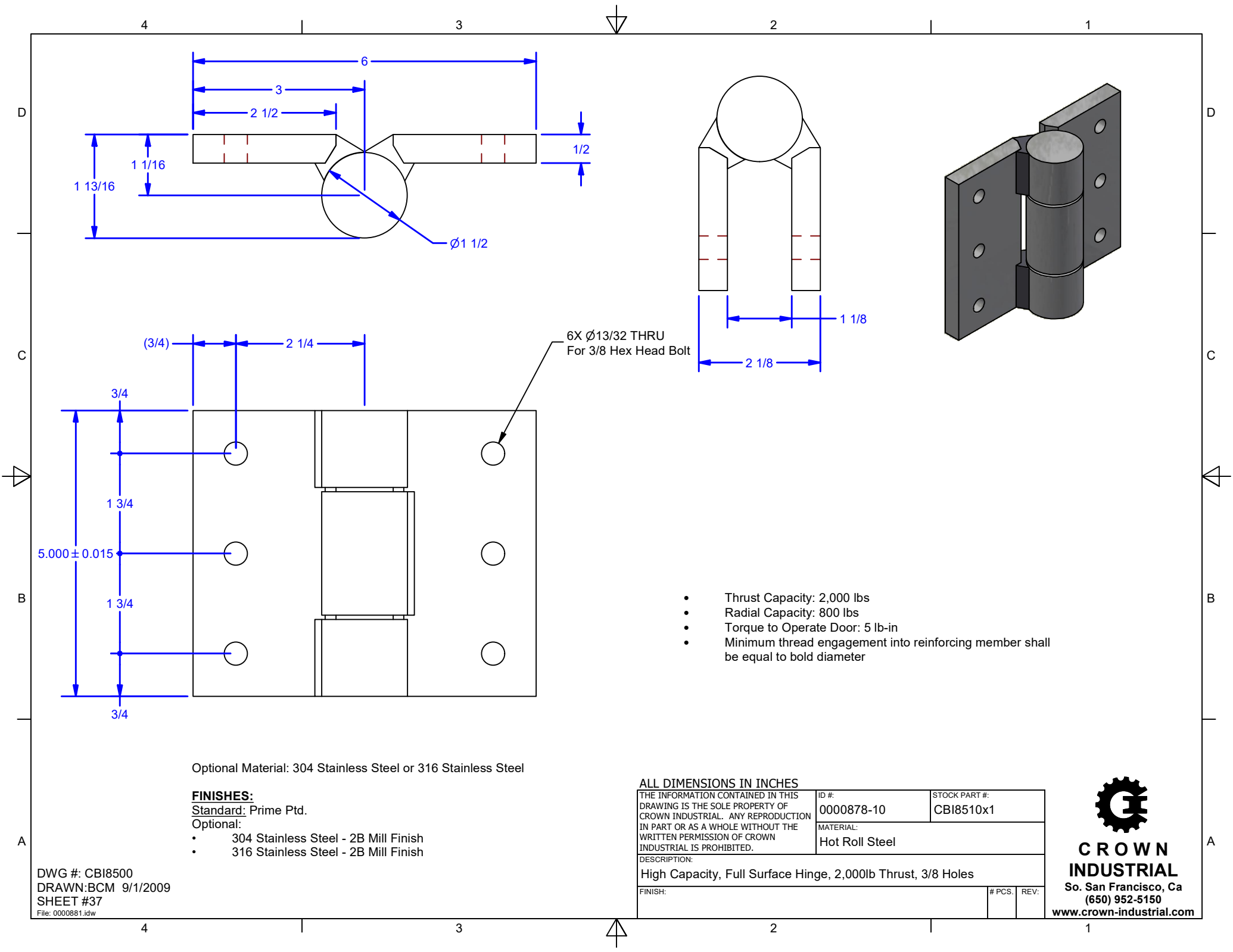
THE INFORMATION CONTAINED IN THIS DRAWING IS THE SOLE PROPERTY OF CROWN INDUSTRIAL. ANY REPRODUCTION IN PART OR AS A WHOLE WITHOUT THE WRITTEN PERMISSION OF CROWN INDUSTRIAL IS PROHIBITED.	ID #: 0000878-07	STOCK PART #: CBI8510
	MATERIAL: Hot Roll Steel	
DESCRIPTION: High Capacity, Full Surface Hinge, 2,000lb Thrust, No Holes		
FINISH:	# PCS:	REV:



CROWN INDUSTRIAL

So. San Francisco, Ca
 (650) 952-5150

www.crown-industrial.com



Optional Material: 304 Stainless Steel or 316 Stainless Steel

FINISHES:

Standard: Prime Ptd.

Optional:

- 304 Stainless Steel - 2B Mill Finish
- 316 Stainless Steel - 2B Mill Finish

- Thrust Capacity: 2,000 lbs
- Radial Capacity: 800 lbs
- Torque to Operate Door: 5 lb-in
- Minimum thread engagement into reinforcing member shall be equal to bold diameter

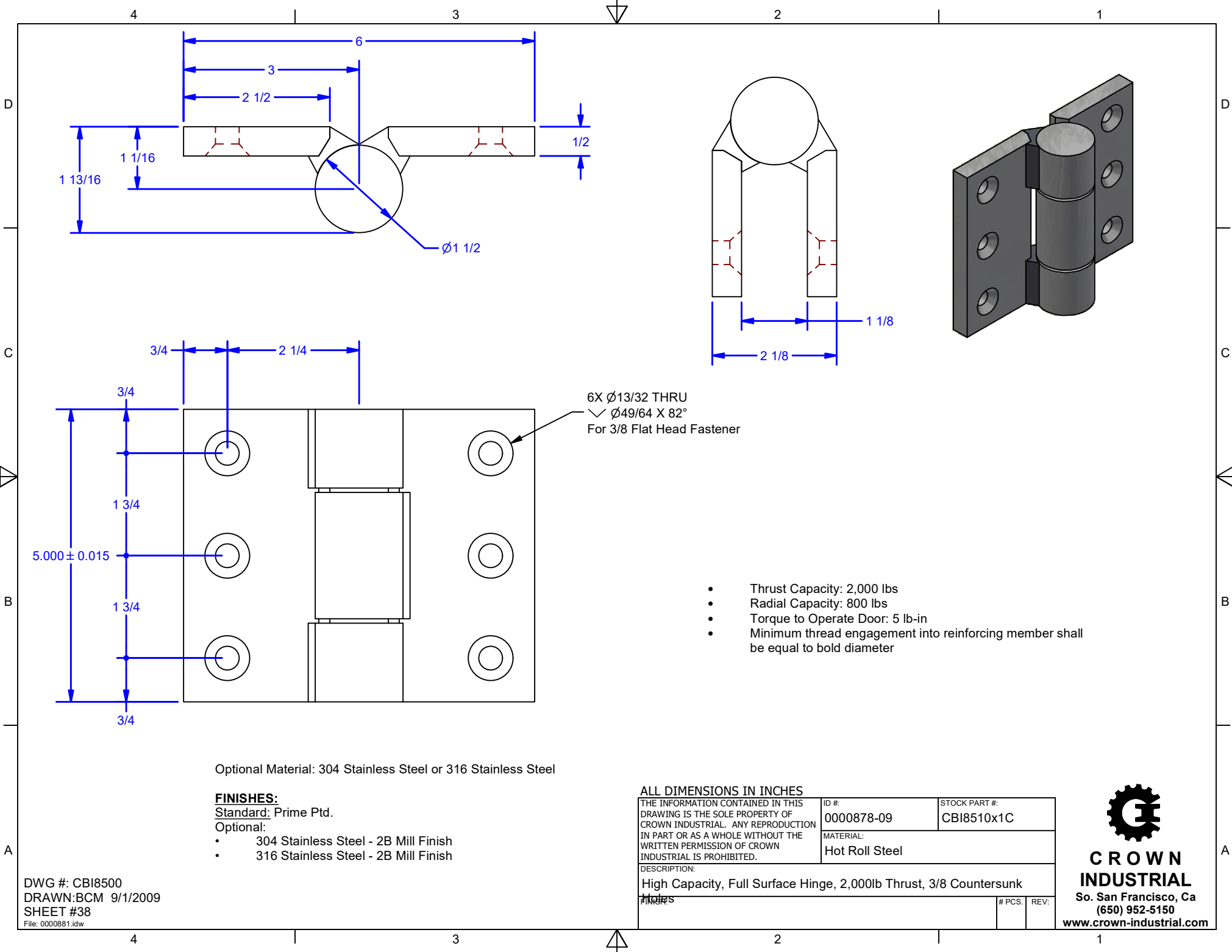
DWG #: CBI8500
 DRAWN:BCM 9/1/2009
 SHEET #37
 File: 0000881.idw

ALL DIMENSIONS IN INCHES

THE INFORMATION CONTAINED IN THIS DRAWING IS THE SOLE PROPERTY OF CROWN INDUSTRIAL. ANY REPRODUCTION IN PART OR AS A WHOLE WITHOUT THE WRITTEN PERMISSION OF CROWN INDUSTRIAL IS PROHIBITED.	ID #:	0000878-10	STOCK PART #:	CBI8510x1
	MATERIAL:	Hot Roll Steel		
DESCRIPTION: High Capacity, Full Surface Hinge, 2,000lb Thrust, 3/8 Holes				
FINISH:	# PCS:	REV:		



CROWN INDUSTRIAL
 So. San Francisco, Ca
 (650) 952-5150
 www.crown-industrial.com



6X Ø13/32 THRU
 √ Ø49/64 X 82°
 For 3/8 Flat Head Fastener

- Thrust Capacity: 2,000 lbs
- Radial Capacity: 800 lbs
- Torque to Operate Door: 5 lb-in
- Minimum thread engagement into reinforcing member shall be equal to bold diameter

Optional Material: 304 Stainless Steel or 316 Stainless Steel

FINISHES:
Standard: Prime Ptd.
Optional:

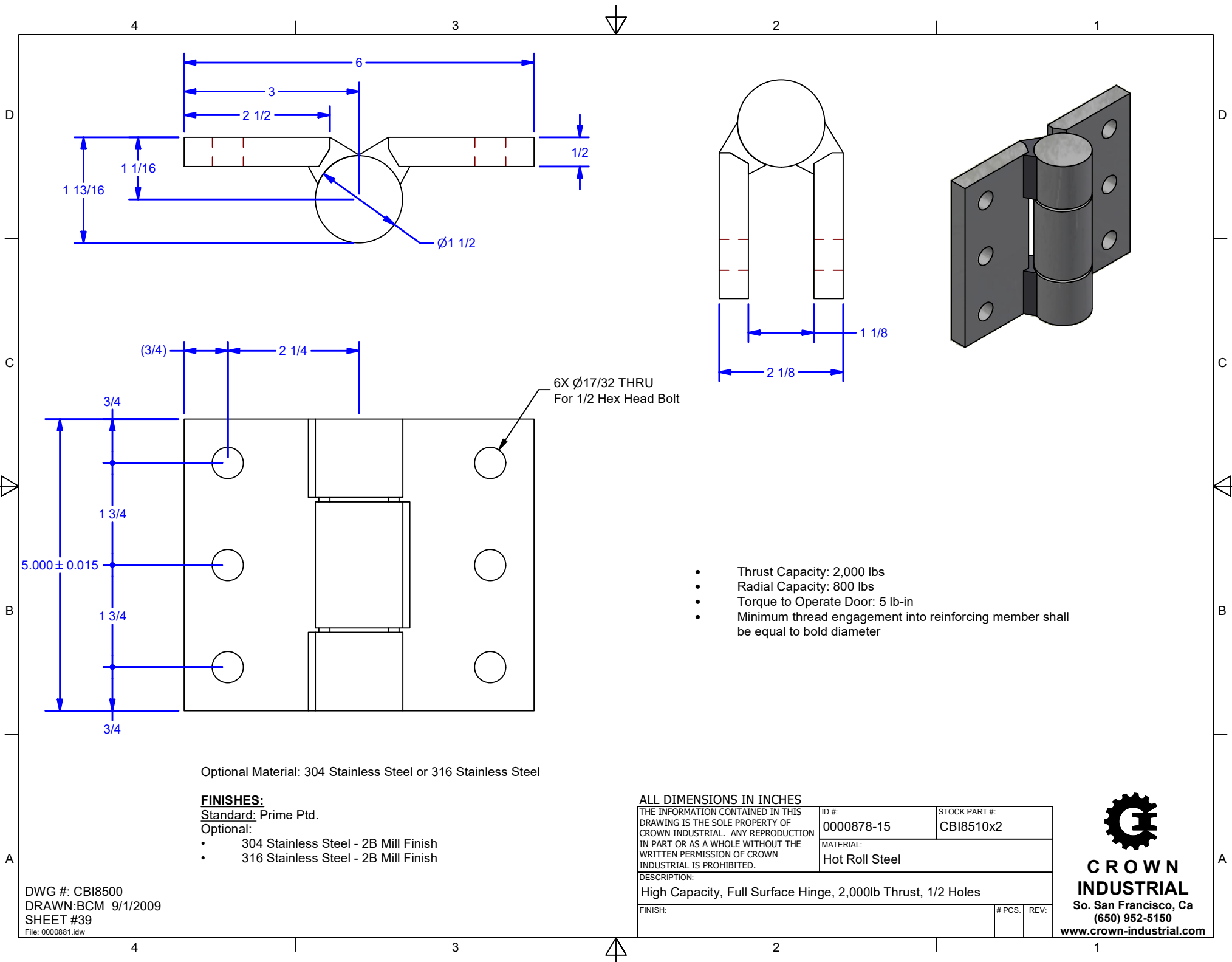
- 304 Stainless Steel - 2B Mill Finish
- 316 Stainless Steel - 2B Mill Finish

DWG #: CBI8500
 DRAWN: BCM 9/1/2009
 SHEET #38
 File: 0000881.idw

ALL DIMENSIONS IN INCHES

THE INFORMATION CONTAINED IN THIS DRAWING IS THE SOLE PROPERTY OF CROWN INDUSTRIAL. ANY REPRODUCTION IN PART OR AS A WHOLE WITHOUT THE WRITTEN PERMISSION OF CROWN INDUSTRIAL IS PROHIBITED.	ID #:	0000878-09	STOCK PART #:	CBI8510x1C
	MATERIAL:		Hot Roll Steel	
DESCRIPTION:				
High Capacity, Full Surface Hinge, 2,000lb Thrust, 3/8 Countersunk				
# PCS:		# PCS:		REV:

CROWN INDUSTRIAL
 So. San Francisco, Ca
 (650) 952-5150
 www.crown-industrial.com



6X Ø17/32 THRU
For 1/2 Hex Head Bolt

- Thrust Capacity: 2,000 lbs
- Radial Capacity: 800 lbs
- Torque to Operate Door: 5 lb-in
- Minimum thread engagement into reinforcing member shall be equal to bold diameter

Optional Material: 304 Stainless Steel or 316 Stainless Steel

- FINISHES:**
 Standard: Prime Ptd.
 Optional:
- 304 Stainless Steel - 2B Mill Finish
 - 316 Stainless Steel - 2B Mill Finish

DWG #: CBI8500
 DRAWN:BCM 9/1/2009
 SHEET #39
 File: 0000881.idw

ALL DIMENSIONS IN INCHES			
THE INFORMATION CONTAINED IN THIS DRAWING IS THE SOLE PROPERTY OF CROWN INDUSTRIAL. ANY REPRODUCTION IN PART OR AS A WHOLE WITHOUT THE WRITTEN PERMISSION OF CROWN INDUSTRIAL IS PROHIBITED.	ID #:	STOCK PART #:	
	0000878-15	CBI8510x2	
MATERIAL:		Hot Roll Steel	
DESCRIPTION: High Capacity, Full Surface Hinge, 2,000lb Thrust, 1/2 Holes			
FINISH:	# PCS:	REV:	

CROWN INDUSTRIAL
 So. San Francisco, Ca
 (650) 952-5150
 www.crown-industrial.com

4

3

2

1

D

D

C

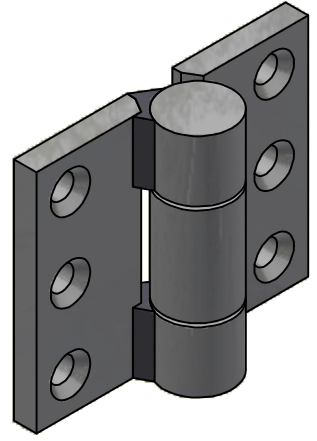
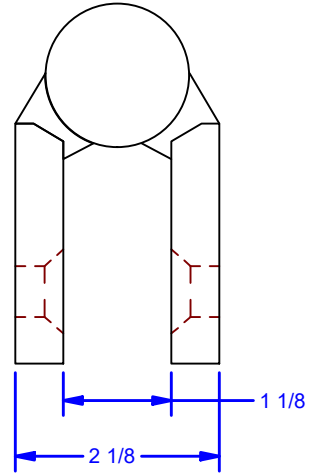
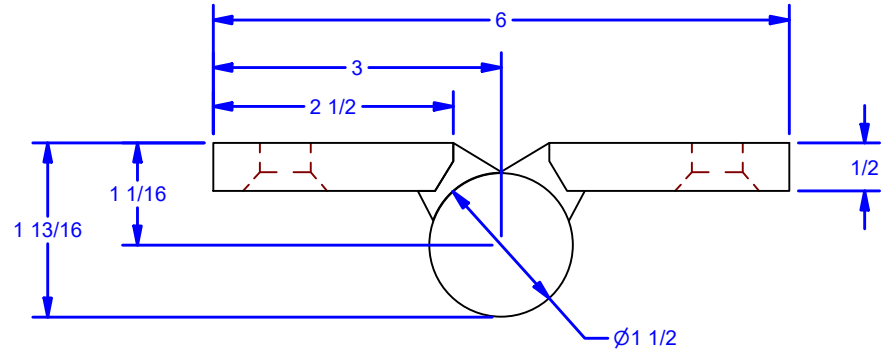
C

B

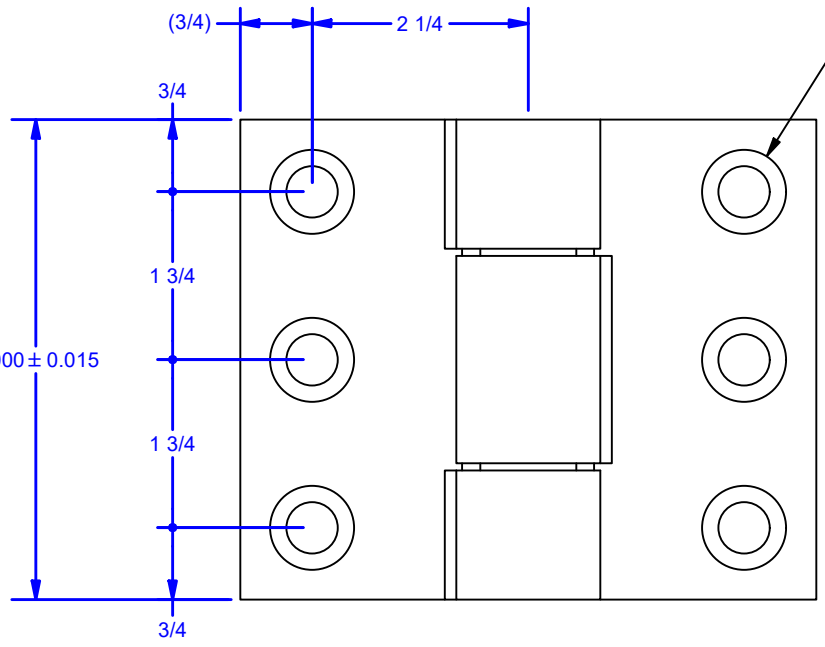
B

A

A



6X Ø17/32 THRU
 ✓ Ø7/8 X 82°
 For 1/2 Flat Head Fastener



- Thrust Capacity: 2,000 lbs
- Radial Capacity: 800 lbs
- Torque to Operate Door: 5 lb-in
- Minimum thread engagement into reinforcing member shall be equal to bold diameter

Optional Material: 304 Stainless Steel or 316 Stainless Steel

FINISHES:

Standard: Prime Ptd.

Optional:

- 304 Stainless Steel - 2B Mill Finish
- 316 Stainless Steel - 2B Mill Finish

DWG #: CBI8500
 DRAWN:BCM 9/1/2009
 SHEET #40
 File: 0000881.idw

ALL DIMENSIONS IN INCHES

THE INFORMATION CONTAINED IN THIS DRAWING IS THE SOLE PROPERTY OF CROWN INDUSTRIAL. ANY REPRODUCTION IN PART OR AS A WHOLE WITHOUT THE WRITTEN PERMISSION OF CROWN INDUSTRIAL IS PROHIBITED.	ID #:	0000878-08	STOCK PART #:	CBI8510x2C
	MATERIAL:		Hot Roll Steel	
DESCRIPTION: High Capacity, Full Surface Hinge, 2,000lb Thrust, 1/2 Countersunk Holes				
# PCS:			# PCS:	REV:



CROWN INDUSTRIAL
 So. San Francisco, Ca
 (650) 952-5150
 www.crown-industrial.com

4

3

2

1

