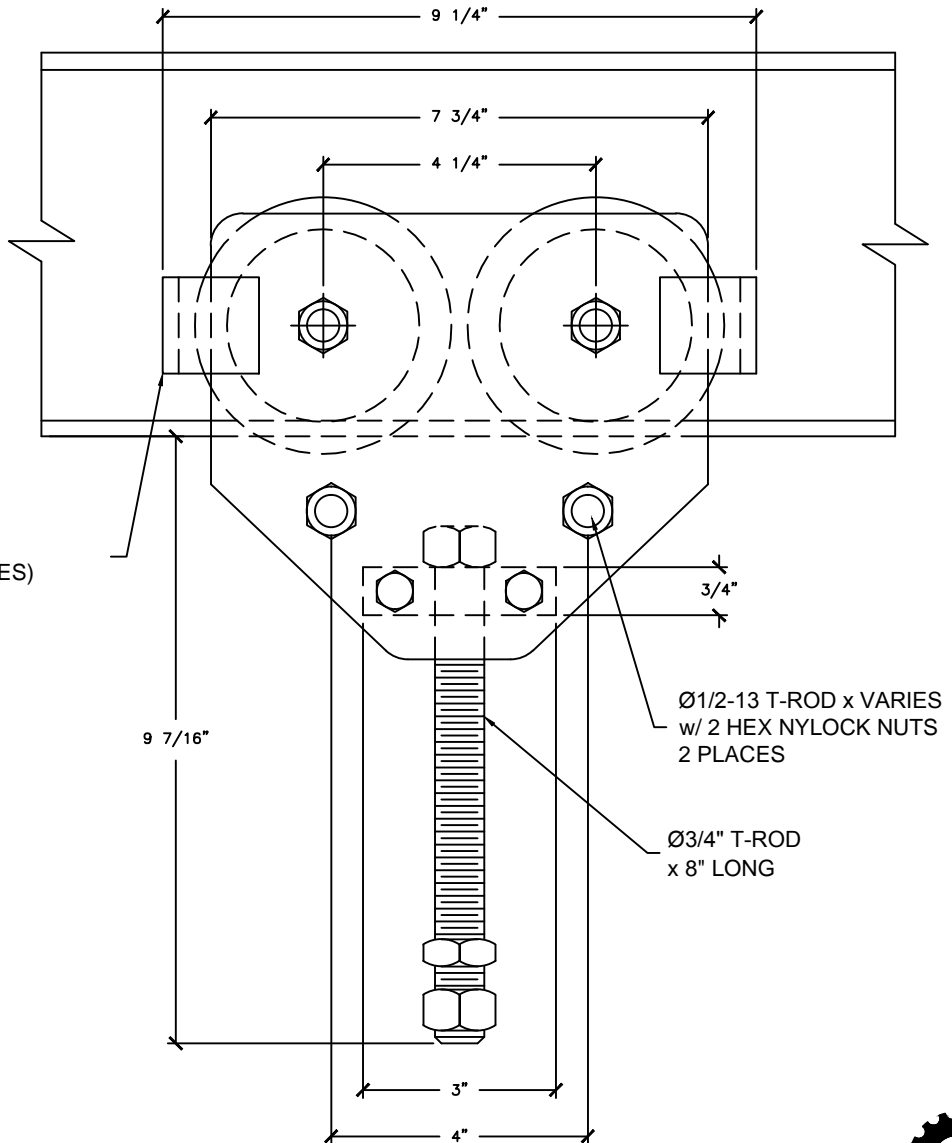
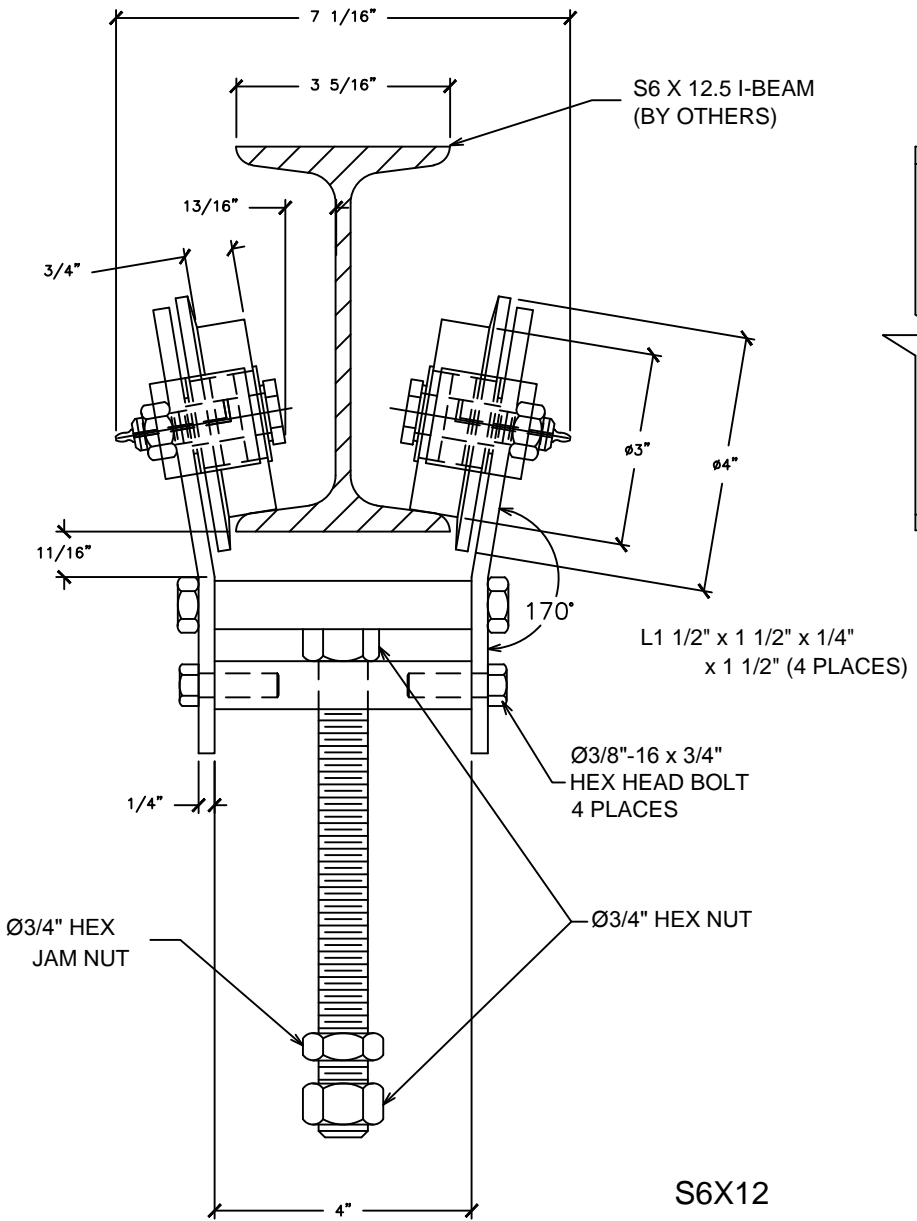


REVISIONS			
REV.	DESCRIPTION	DATE	APPROVED



DWG #0001964  
 STOCK PART #CR-0.5T  
 DESCRIP: 1/2 TON I-BEAM TROLLEY (1,000 LBS CAP) {SPECIFY BEAM}  
 DRAWN:WRM 5-7-12 REV:  
 SCALE: 4 1/128" = 1'-0"  
 SHEET #1

1/2 TON I-BEAM TROLLEY (1 TON PER PAIR)

FILE:c:\vault\workspace\designs\hardware\i-beam bottom support\i-beam\0001964

THE INFORMATION CONTAINED IN THIS DRAWING IS THE SOLE PROPERTY OF CROWN INDUSTRIAL. ANY REPRODUCTION IN PART OR AS A WHOLE WITHOUT WRITTEN PERMISSION OF CROWN INDUSTRIAL IS PROHIBITED.

