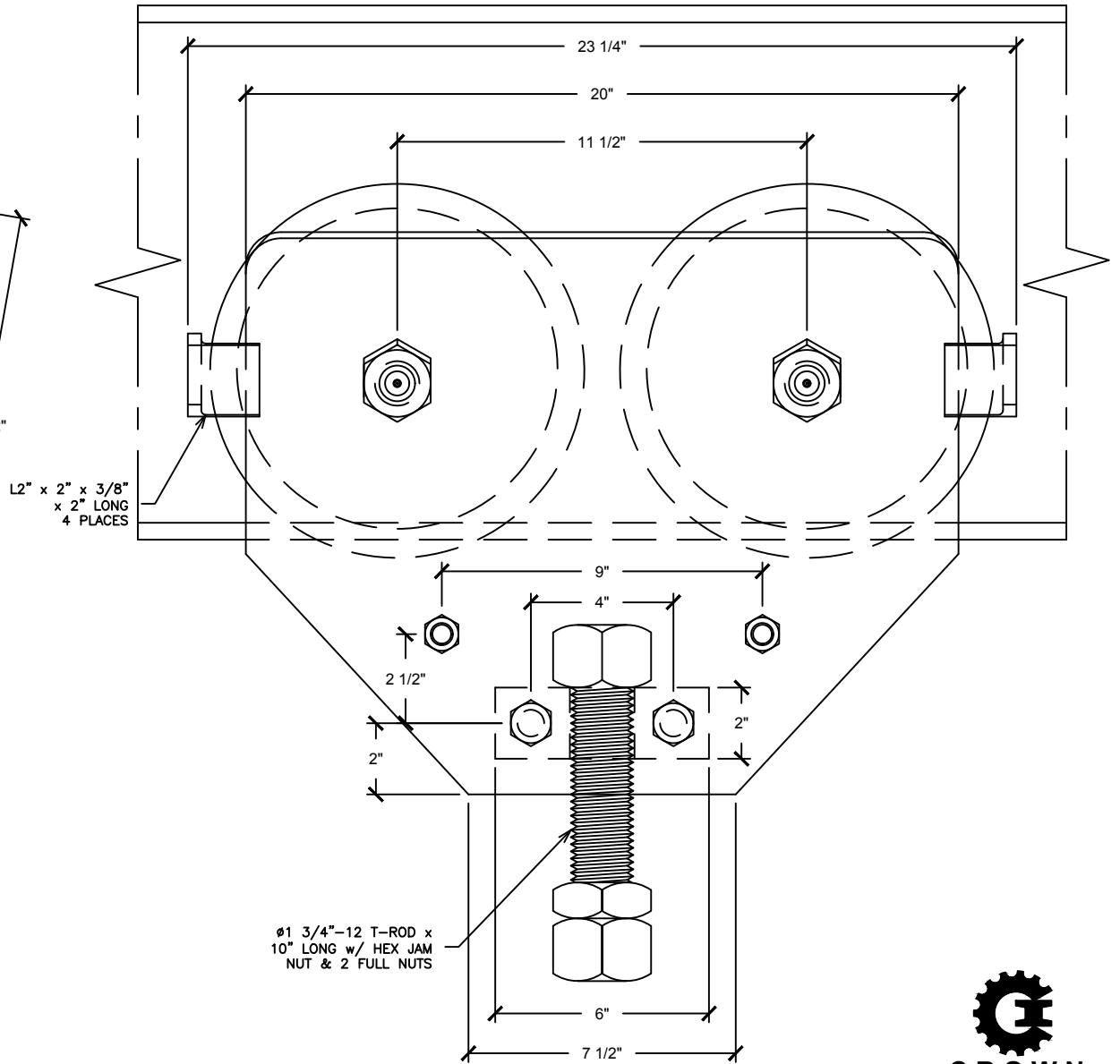
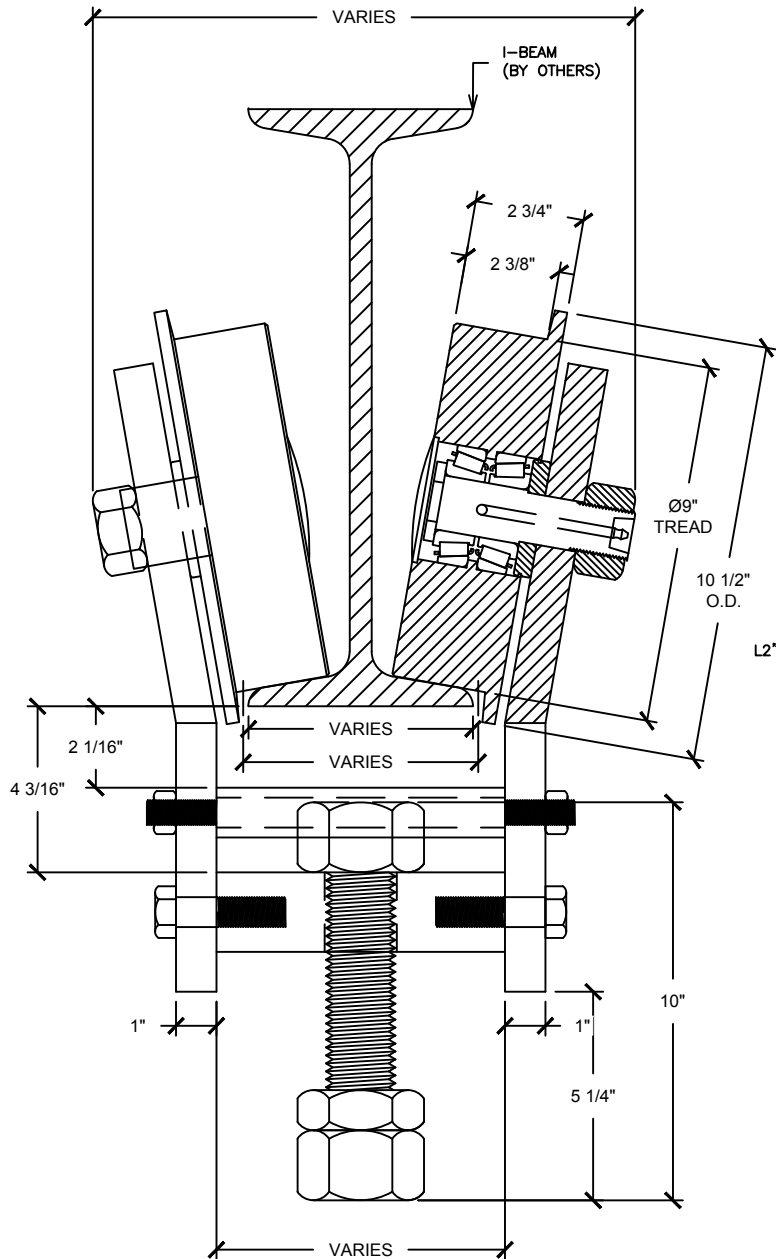


REVISIONS			
REV.	DESCRIPTION	DATE	APPROVED



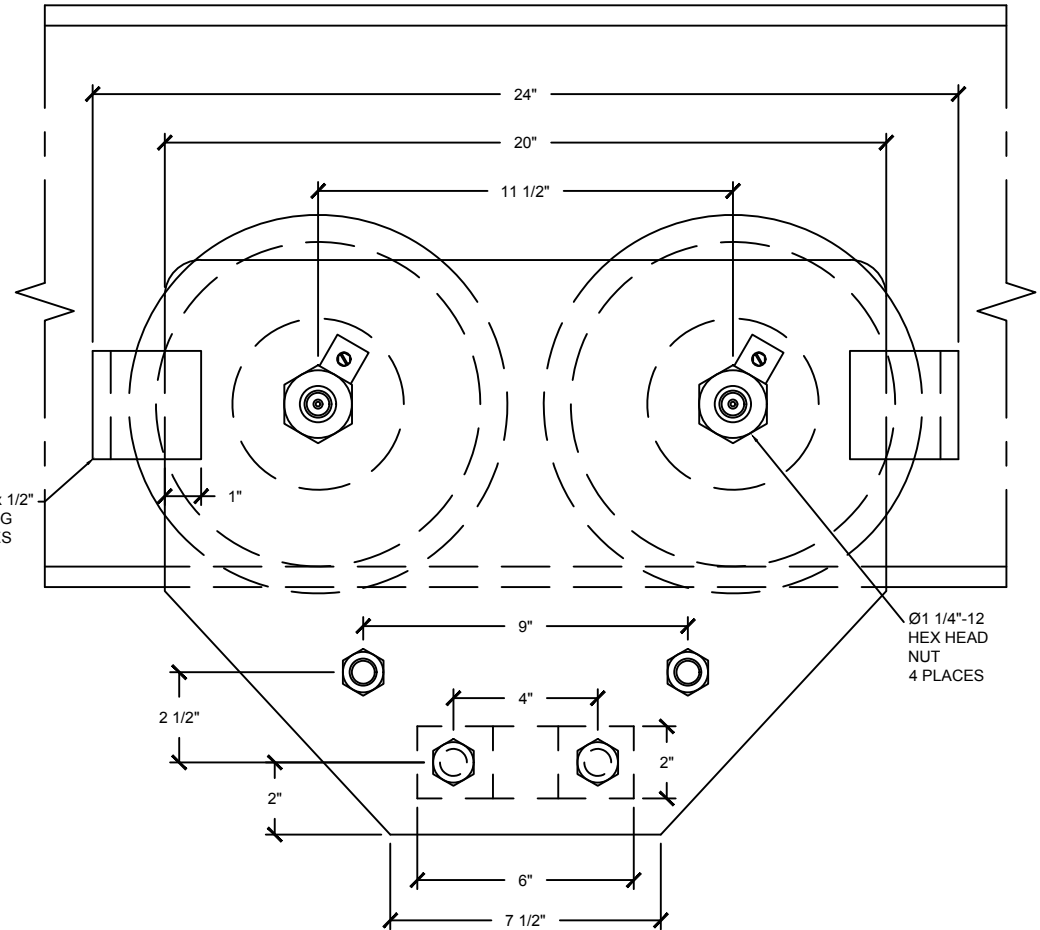
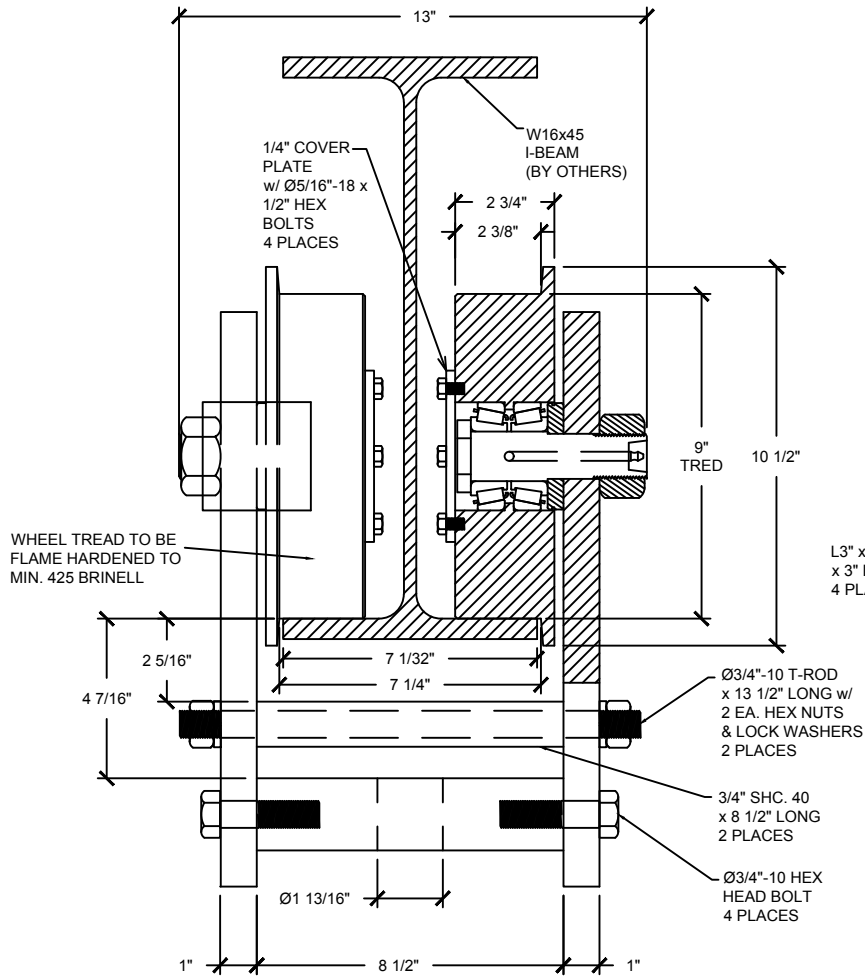
DWG #CR-10T S15X50
 DESCRIP: 10 TON I BEAM TROLLEY
 DRAWN:WRM 2-16-16 REV:
 SHEET #1
 FILE:z:\engineering\hardware\i-beam\10 ton s15x50

THE INFORMATION CONTAINED IN THIS DRAWING IS THE SOLE PROPERTY OF CROWN INDUSTRIAL. ANY REPRODUCTION IN PART OR AS A WHOLE WITHOUT WRITTEN PERMISSION OF CROWN INDUSTRIAL IS PROHIBITED.



CROWN INDUSTRIAL
 So. San Francisco, Ca
 (650) 952-5150
 www.crown-industrial.com

REVISIONS			
REV.	DESCRIPTION	DATE	APPROVED



DWG #10 TONXW18X45
 DESCRIP: 10 TON TROLLEY
 DRAWN:WRM 9/5/14 REV:
 SHEET # 1

FILE:z:\engineering\hardware\i-beam\10 ton x w16x45

10 TON I-BEAM TROLLEY

THE INFORMATION CONTAINED IN THIS DRAWING IS THE SOLE PROPERTY OF CROWN INDUSTRIAL. ANY REPRODUCTION IN PART OR AS A WHOLE WITHOUT WRITTEN PERMISSION OF CROWN INDUSTRIAL IS PROHIBITED.



CROWN INDUSTRIAL
 So. San Francisco, Ca
 (650) 952-5150
 www.crown-industrial.com