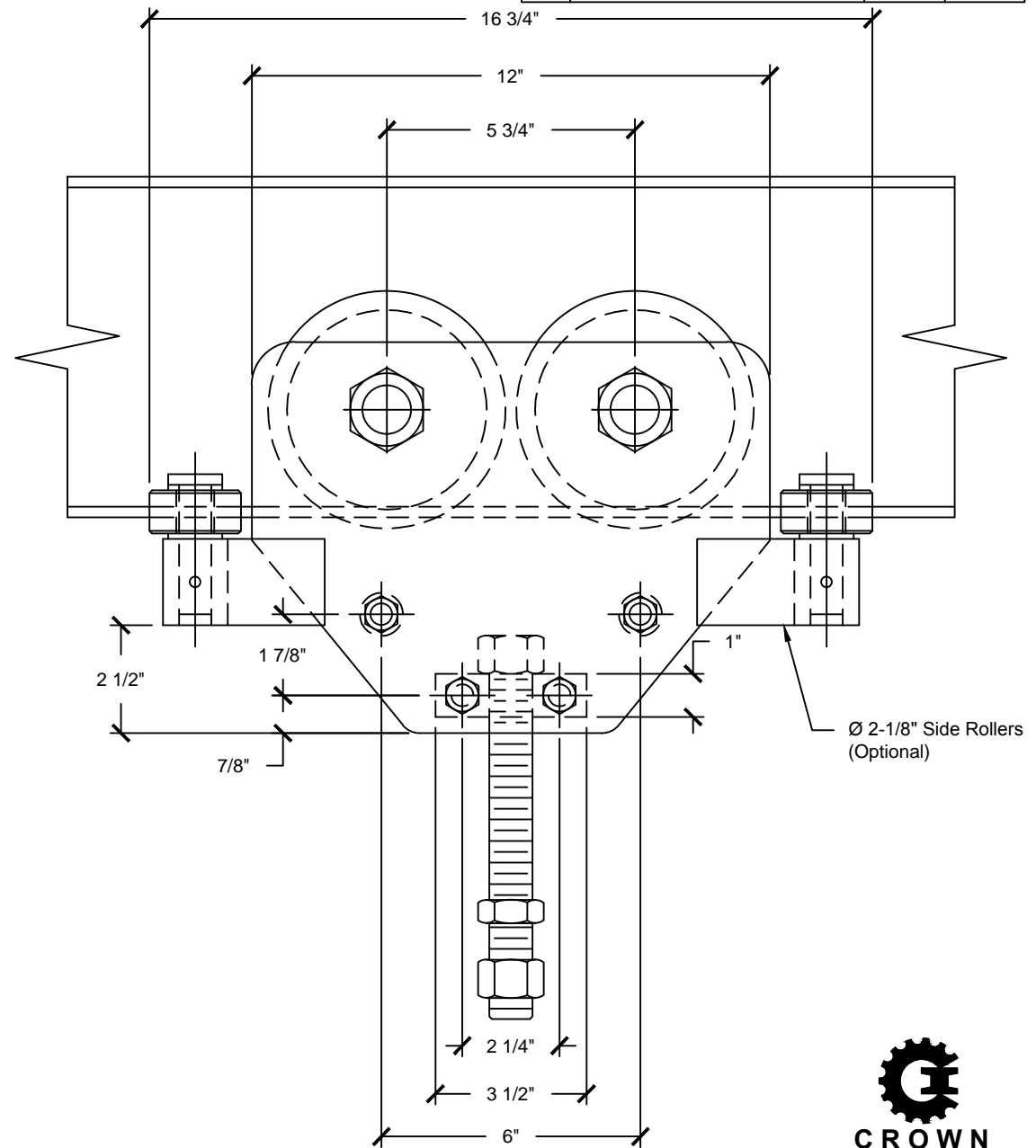
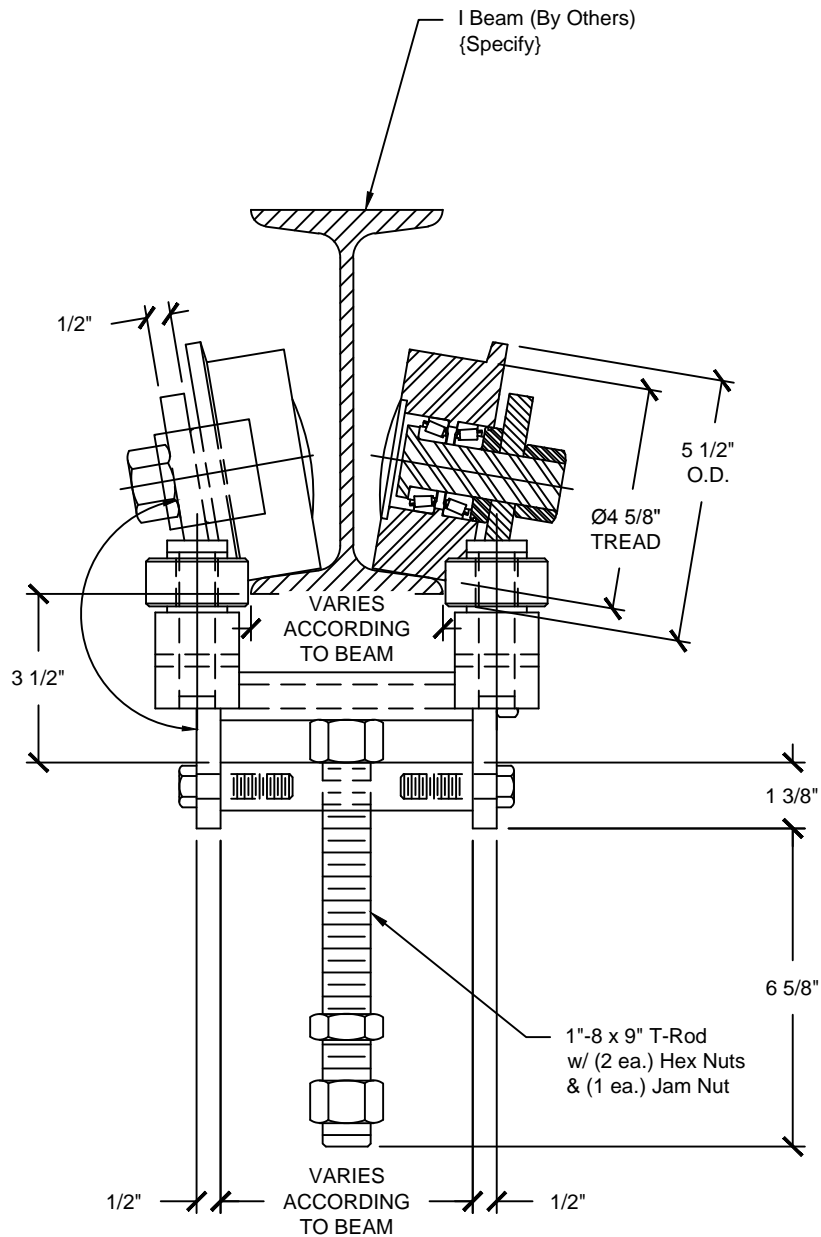


REVISIONS			
REV.	DESCRIPTION	DATE	APPROVED



DWG #0001968  
 STOCK PART #CR-1T  
 DESCRIP: 1 TON I-BEAM TROLLEY (2,000 LBS CAP) {SPECIFY BEAM}  
 DRAWN:BCM 4-12-01 REV:-----  
 SCALE: NONE  
 SHEET # 1

FILE:c:\vault\workspace\designs\hardware\i-beam bottom support\i-beam\0001968

THE INFORMATION CONTAINED IN THIS DRAWING IS THE SOLE PROPERTY OF CROWN INDUSTRIAL. ANY REPRODUCTION IN PART OR AS A WHOLE WITHOUT WRITTEN PERMISSION OF CROWN INDUSTRIAL IS PROHIBITED.



**CROWN INDUSTRIAL**  
 So. San Francisco, Ca  
 (650) 952-5150  
 www.crown-industrial.com