

4

3

2

1

D

D

C

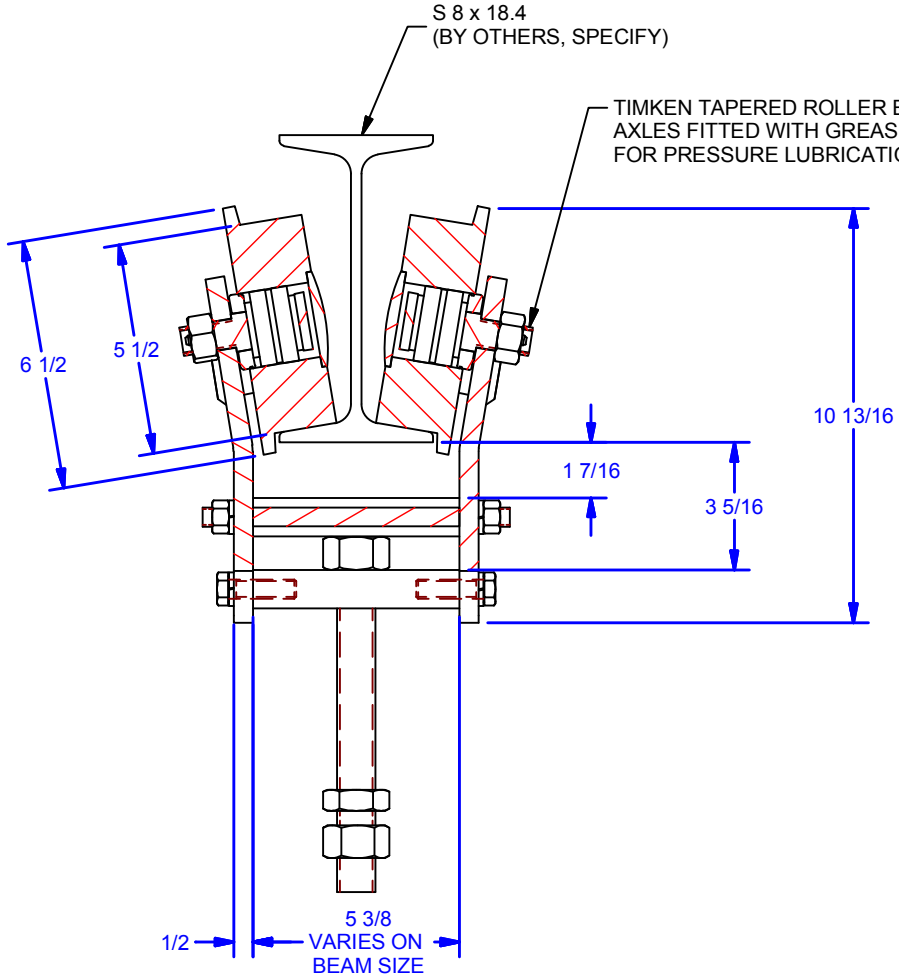
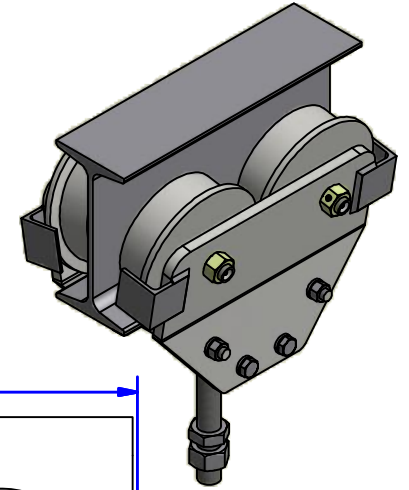
C

B

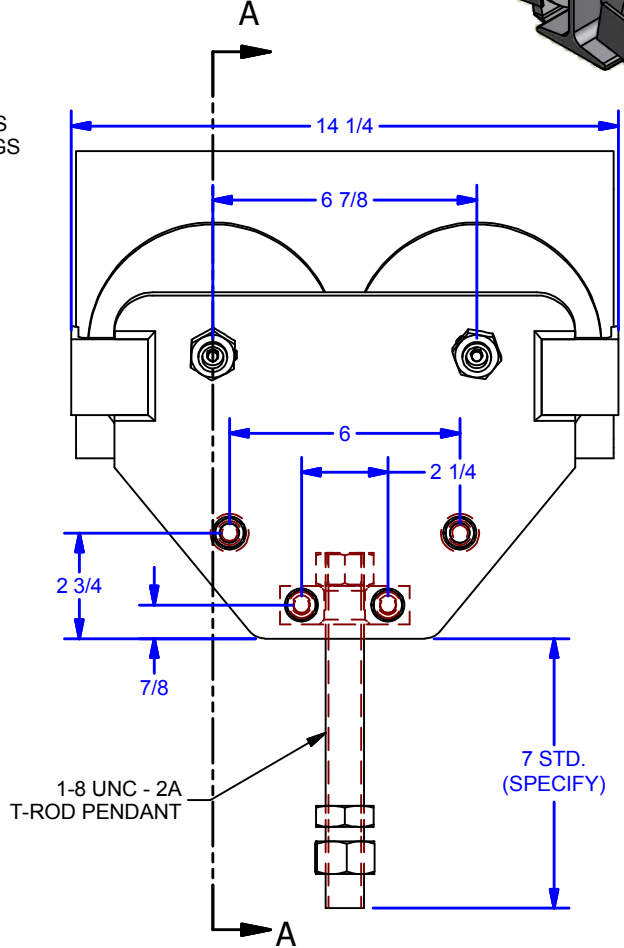
B

A

A



SECTION A-A



ALL DIMENSIONS IN INCHES

| | | | | |
|--|---------------|---------|---------------|---------|
| THE INFORMATION CONTAINED IN THIS DRAWING IS THE SOLE PROPERTY OF CROWN INDUSTRIAL. ANY REPRODUCTION IN PART OR AS A WHOLE WITHOUT THE WRITTEN PERMISSION OF CROWN INDUSTRIAL IS PROHIBITED. | ID #: | 0001377 | STOCK PART #: | CR-1.5T |
| | MATERIAL: | | | |
| DESCRIPTION: 1 1/2 Ton I-Beam Trolley (3000lbs Cap) {Specify Beam} | | | | |
| FINISH: | Painted Black | # PCS: | 1 | REV: |



CROWN INDUSTRIAL
So. San Francisco, Ca
(650) 952-5150
www.crown-industrial.com

DWG #: 0000960
DRAWN: BCM 2/15/2013
SHEET #6
File: 0000960.idw

4

3

2

1

