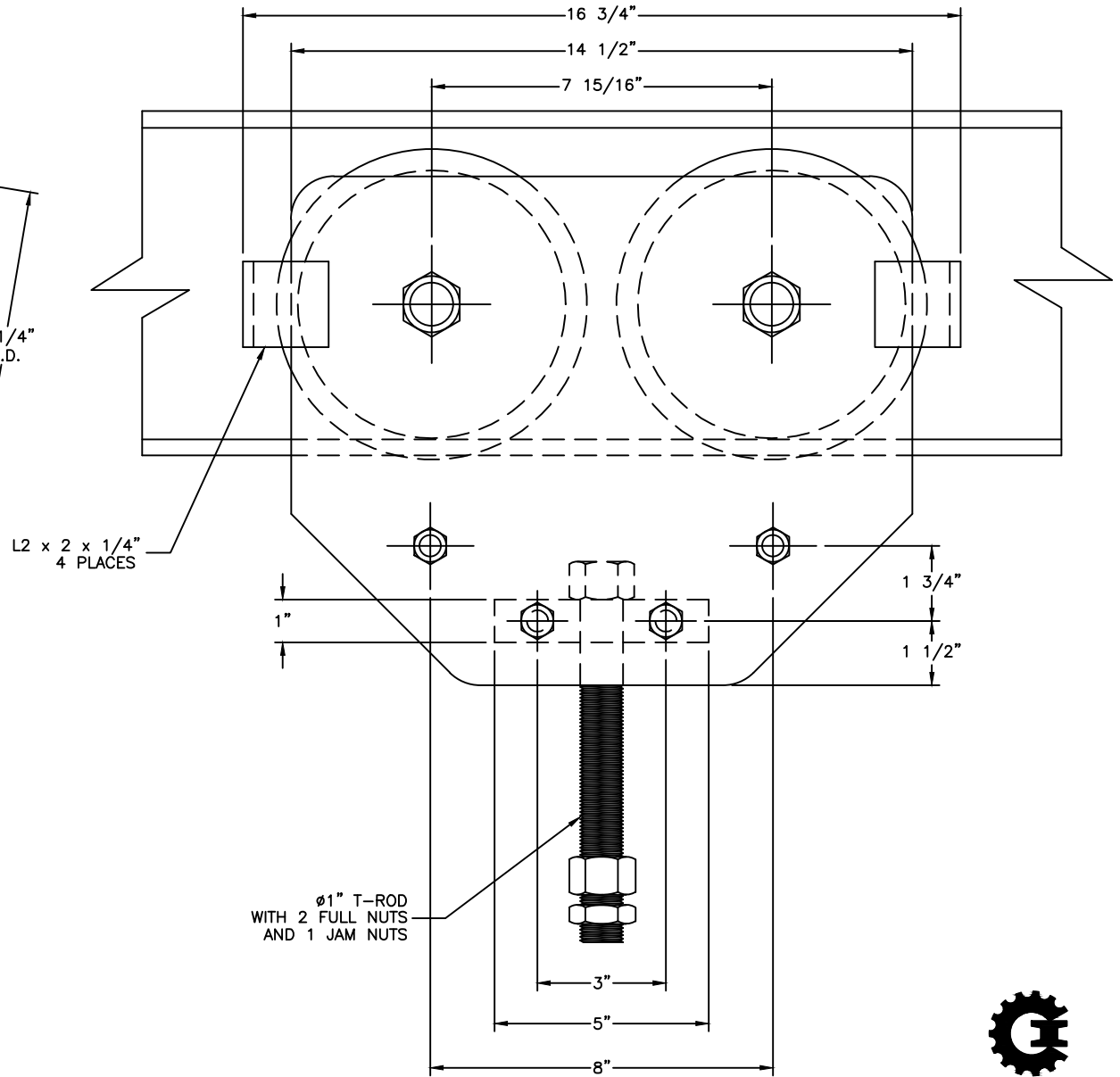
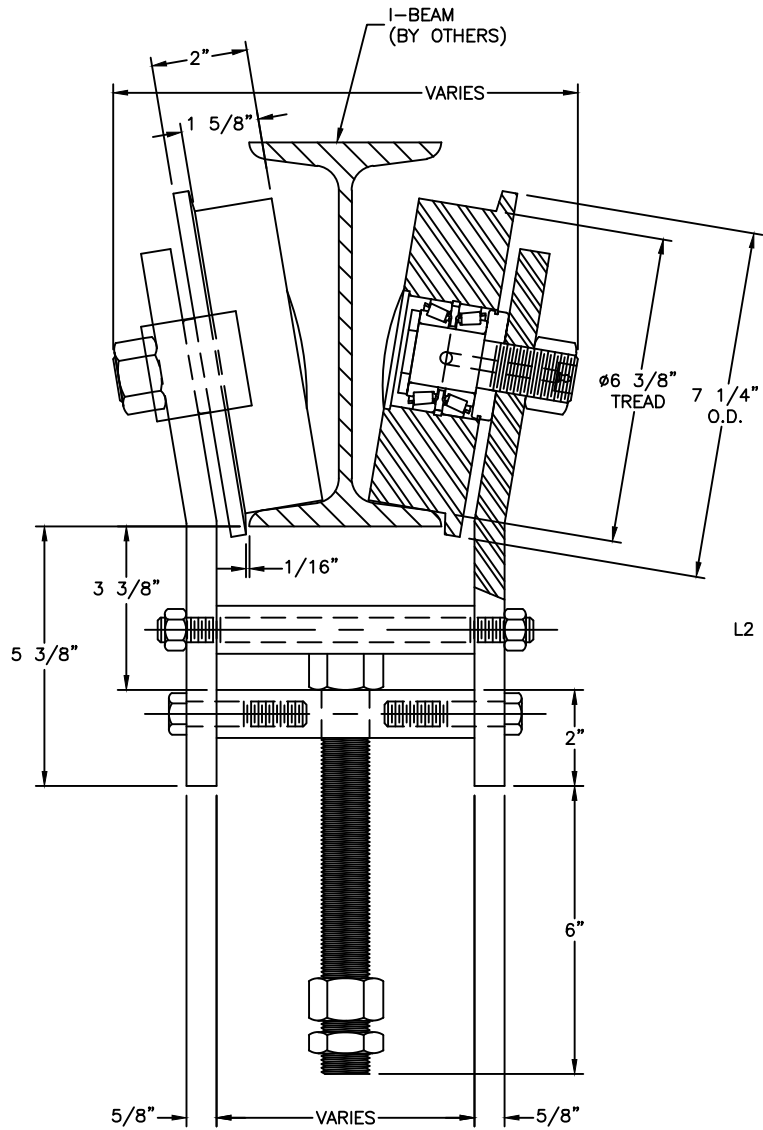


REVISIONS			
REV.	DESCRIPTION	DATE	APPROVED



DWG #0001967  
 STOCK PART #CR-2T  
 DESCRIP: 2 TON I-BEAM TROLLEY (4,000 LBS CAP) {SPECIFY BEAM}  
 DRAWN:BCM 11-3-01 REV:-----  
 SCALE: None  
 SHEET # 1  
 FILE:c:\vault\workspace\designs\hardware\i beam bottom support\i-beam\0001967

THE INFORMATION CONTAINED IN THIS DRAWING IS THE SOLE PROPERTY OF CROWN INDUSTRIAL. ANY REPRODUCTION IN PART OR AS A WHOLE WITHOUT WRITTEN PERMISSION OF CROWN INDUSTRIAL IS PROHIBITED.



**CROWN INDUSTRIAL**  
 So. San Francisco, Ca  
 (650) 952-5150  
 www.crown-industrial.com