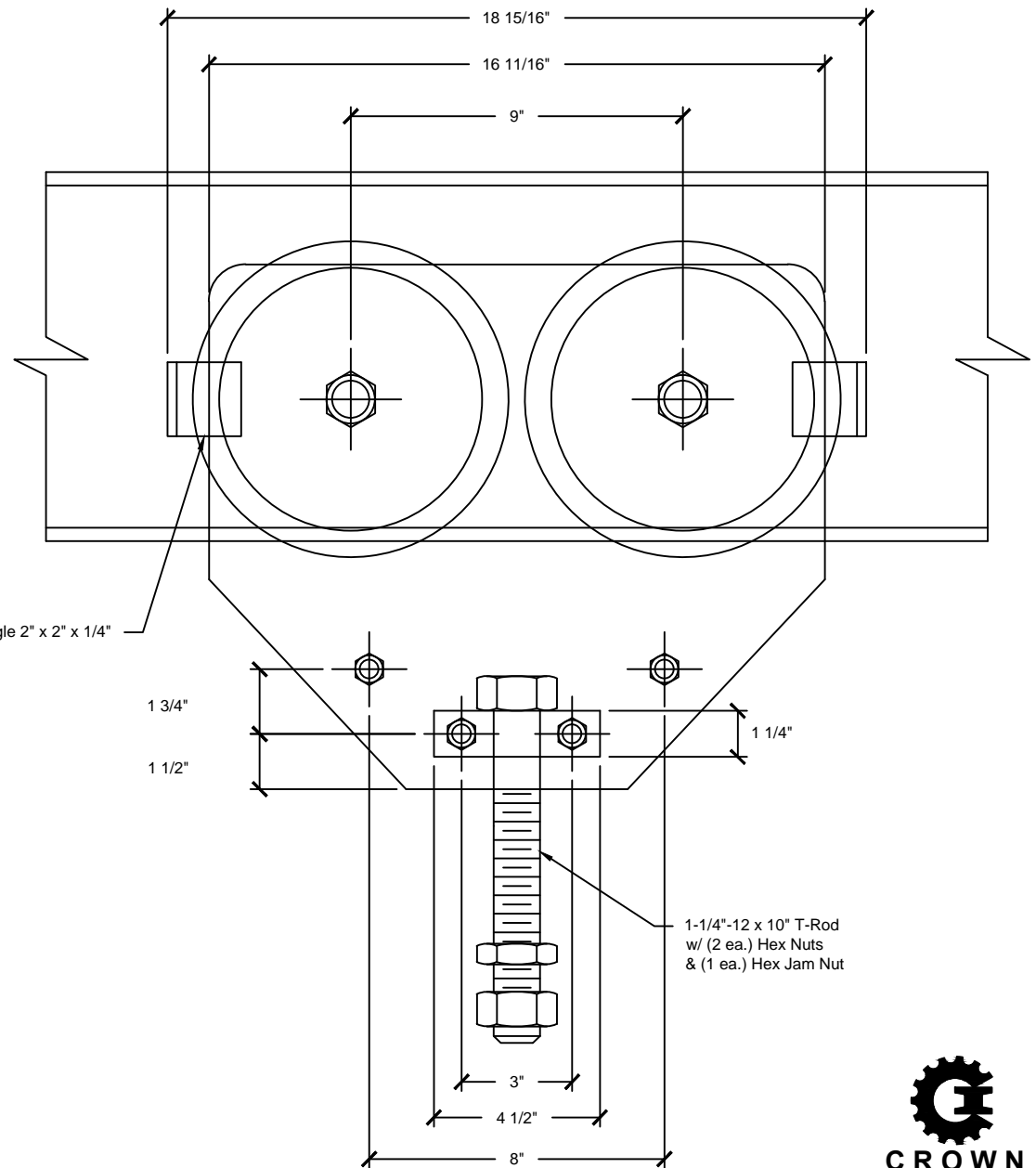
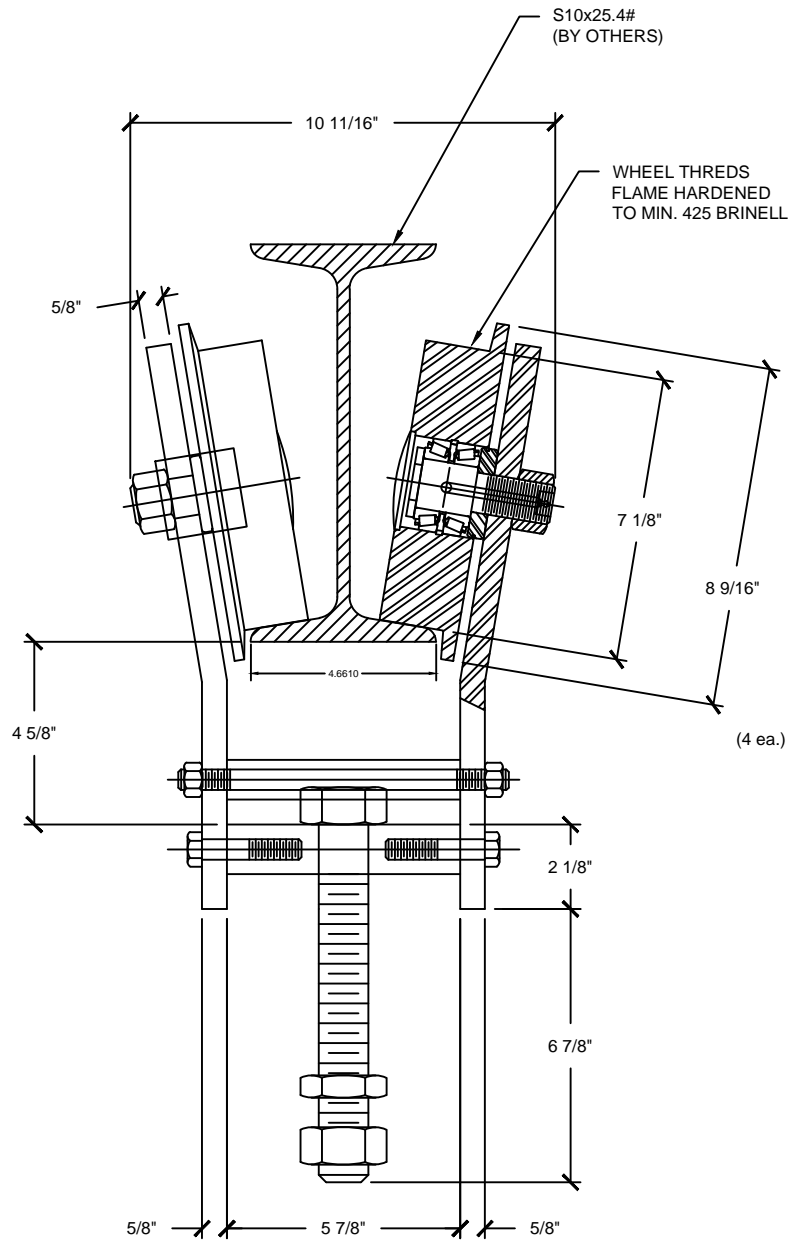


REVISIONS			
REV.	DESCRIPTION	DATE	APPROVED



DWG #0001966
 STOCK PART #CR-3T
 DESCRIP: 3 TON I-BEAM TROLLEY (6,000 LBS CAP) {SPECIFY BEAM}
 DRAWN:BCM 6-20-98 REV:-----
 SCALE: None
 SHEET # 1

FILE:c:\vault\workspace\designs\hardware\i beam bottom support\i-beam\0001966

THE INFORMATION CONTAINED IN THIS DRAWING IS THE SOLE PROPERTY OF CROWN INDUSTRIAL. ANY REPRODUCTION IN PART OR AS A WHOLE WITHOUT WRITTEN PERMISSION OF CROWN INDUSTRIAL IS PROHIBITED.



CROWN INDUSTRIAL
 So. San Francisco, Ca
 (650) 952-5150
 www.crown-industrial.com