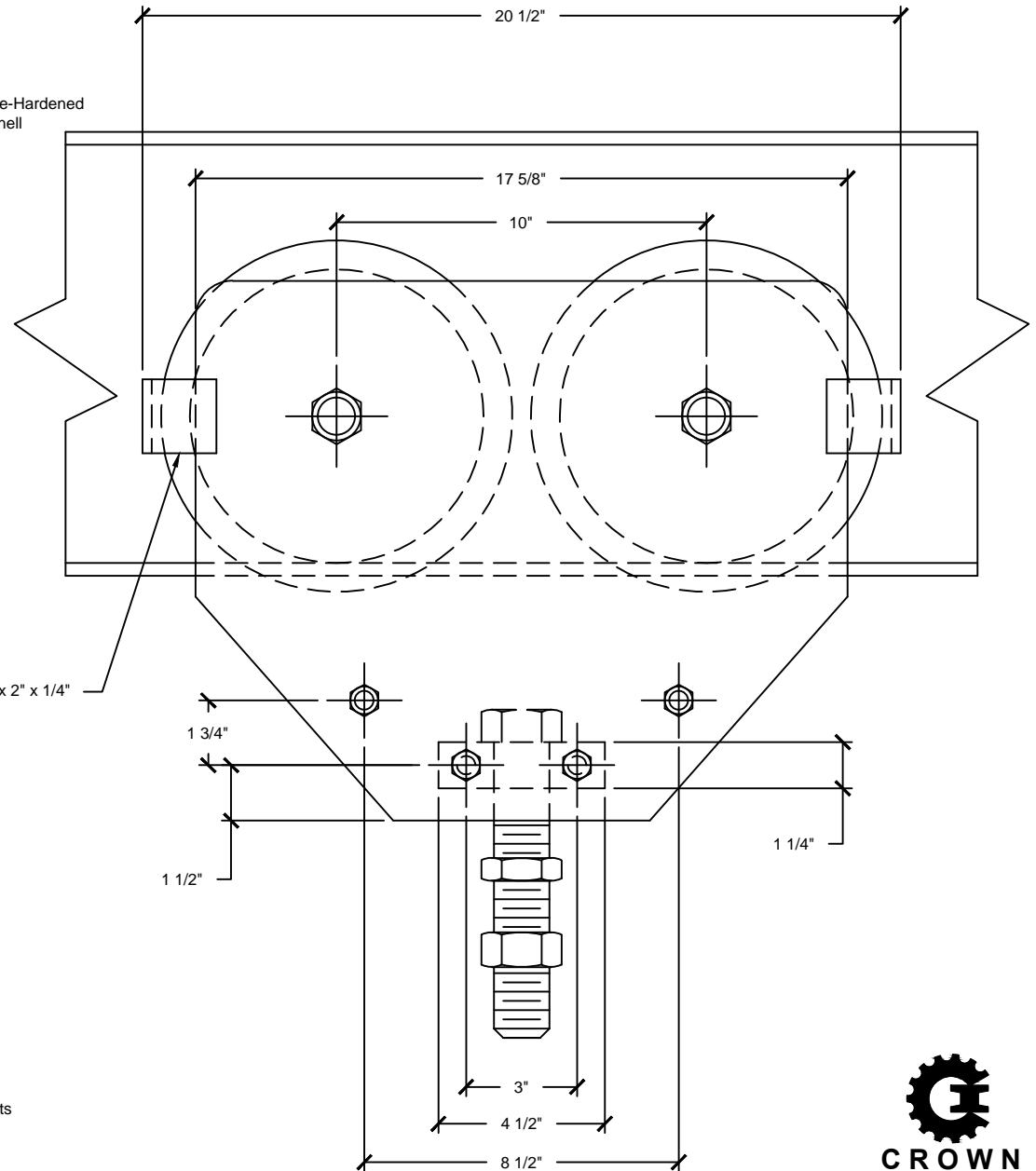
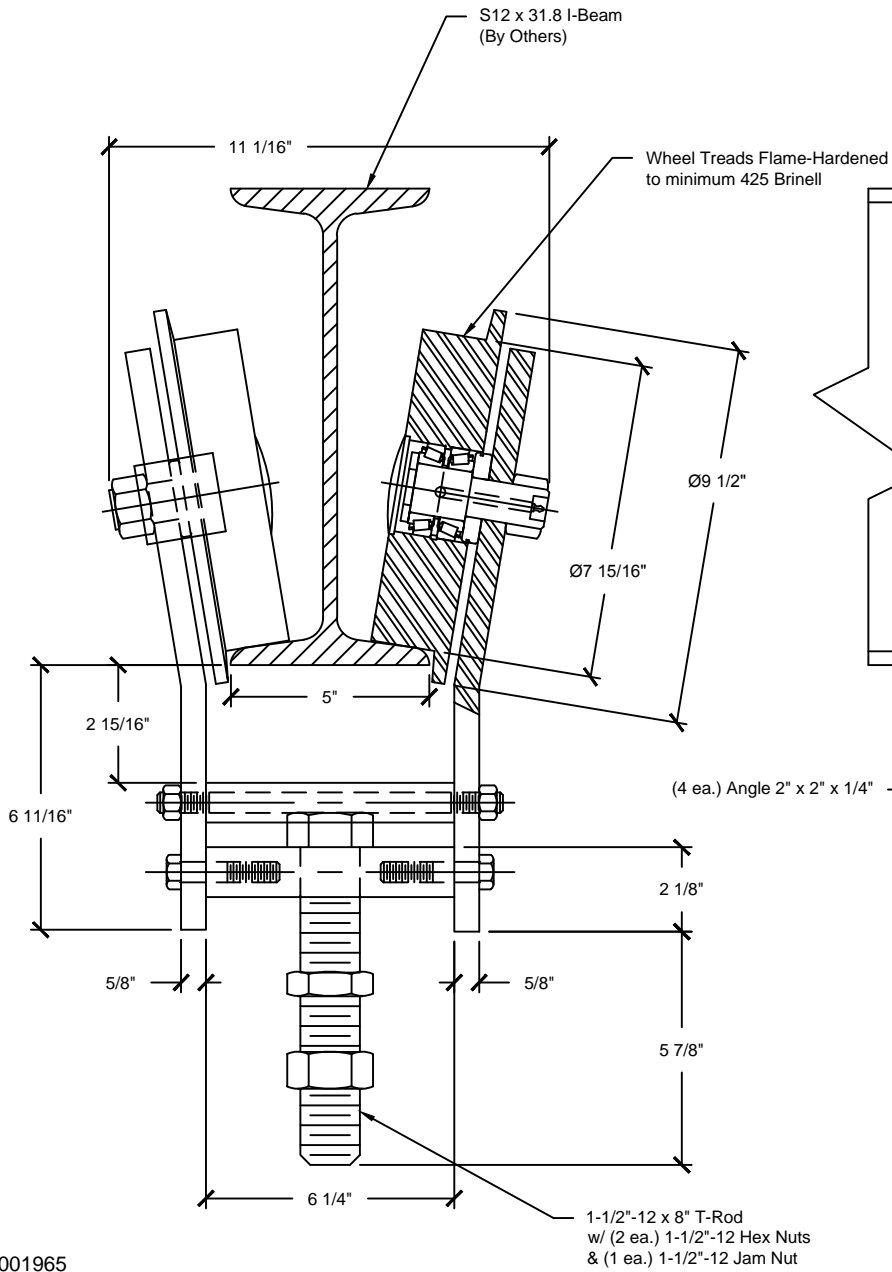


REVISIONS			
REV.	DESCRIPTION	DATE	APPROVED



DWG #0001965
 STOCK PART #CR-4T
 DESCRIP: 4 TON I-BEAM TROLLEY (8,000 LBS CAP) {SPECIFY BEAM}
 DRAWN:BCM 8-11-01 REV:-----
 SCALE: None
 SHEET # 1

FILE:c:\vault\workspace\designs\hardware\i-beam bottom support\i-beam\0001965

THE INFORMATION CONTAINED IN THIS DRAWING IS THE SOLE PROPERTY OF CROWN INDUSTRIAL. ANY REPRODUCTION IN PART OR AS A WHOLE WITHOUT WRITTEN PERMISSION OF CROWN INDUSTRIAL IS PROHIBITED.



CROWN INDUSTRIAL
 So. San Francisco, Ca
 (650) 952-5150
 www.crown-industrial.com