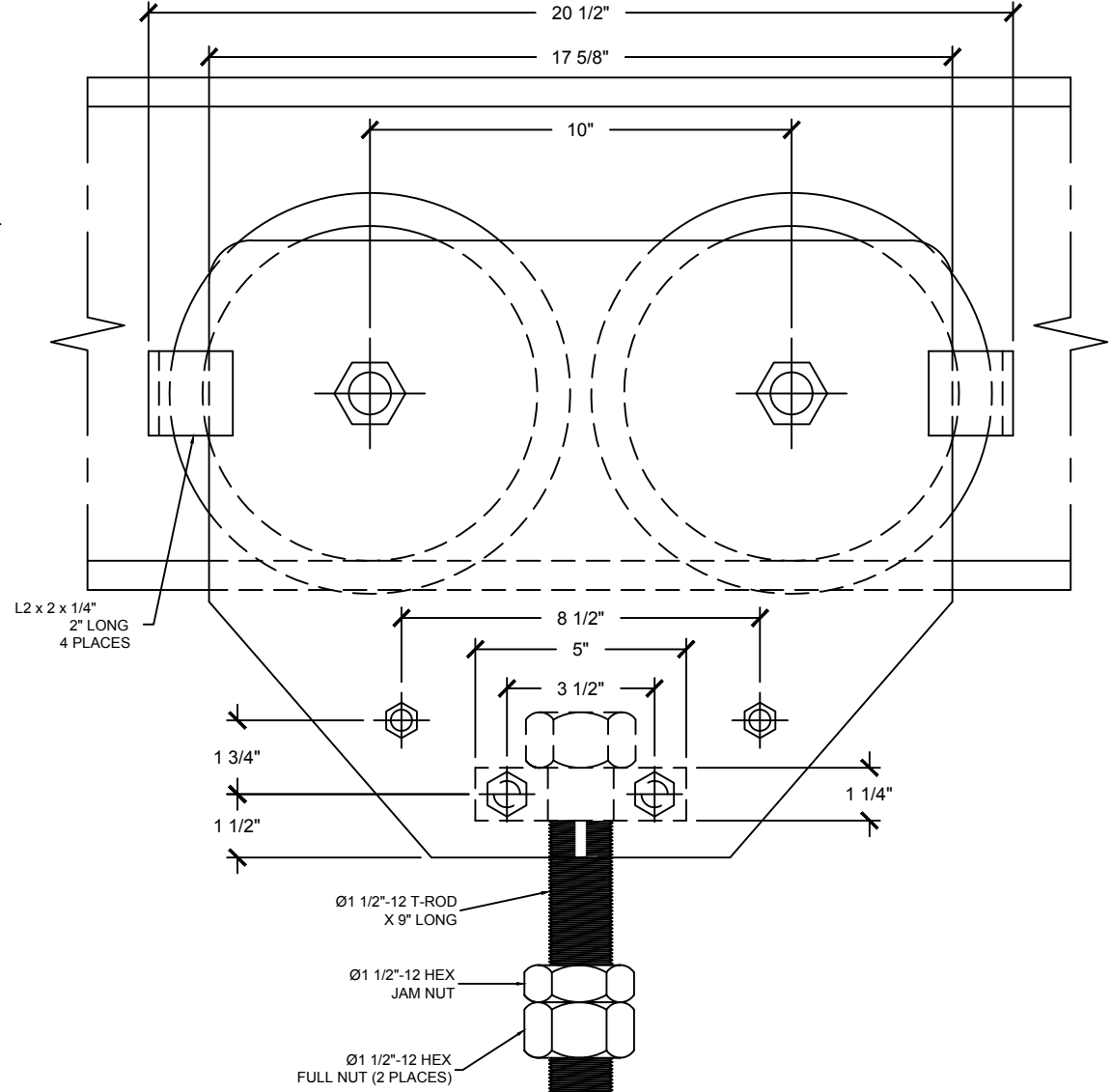
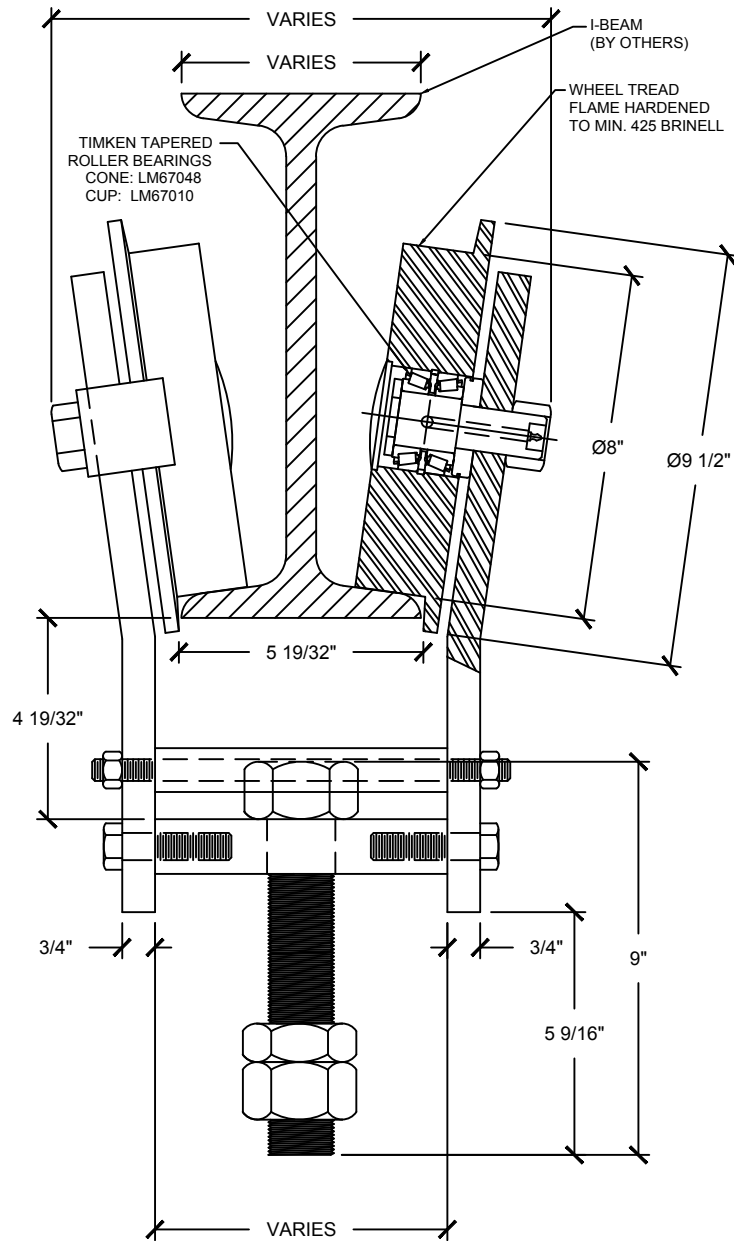


REVISIONS			
REV.	DESCRIPTION	DATE	APPROVED



DWG #CR-6T
 DESCRI: 6 TON TROLLEY
 DRAWN:BCM 7-13-18 REV:-----
 SHEET # 1
 FILE: \\crown-fs2\main\engineering\hardware\i-beam\6 ton

THE INFORMATION CONTAINED IN THIS DRAWING IS THE SOLE PROPERTY OF CROWN INDUSTRIAL. ANY REPRODUCTION IN PART OR AS A WHOLE WITHOUT WRITTEN PERMISSION OF CROWN INDUSTRIAL IS PROHIBITED.



CROWN INDUSTRIAL
 So. San Francisco, Ca
 (650) 952-5150
 www.crown-industrial.com