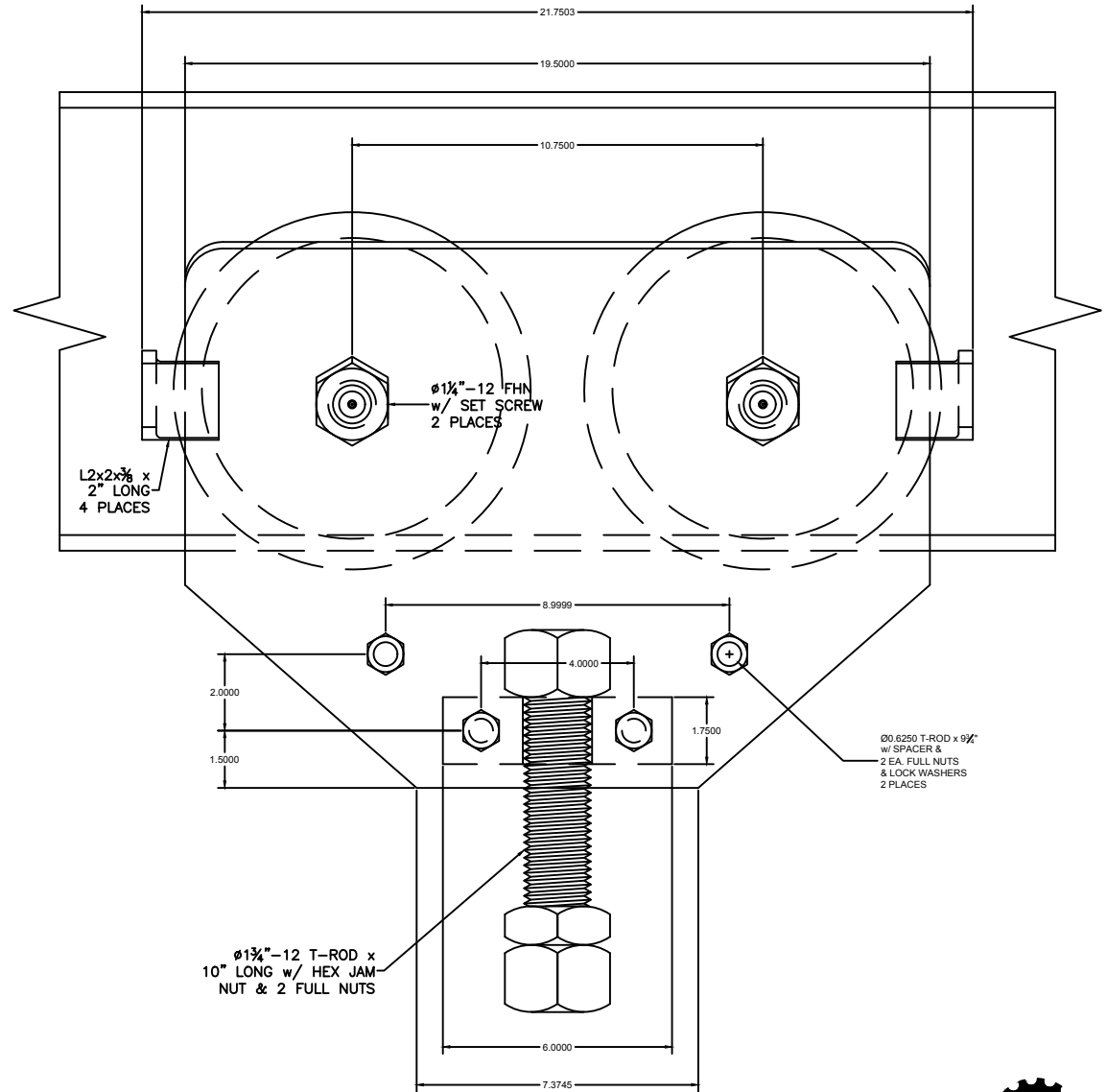
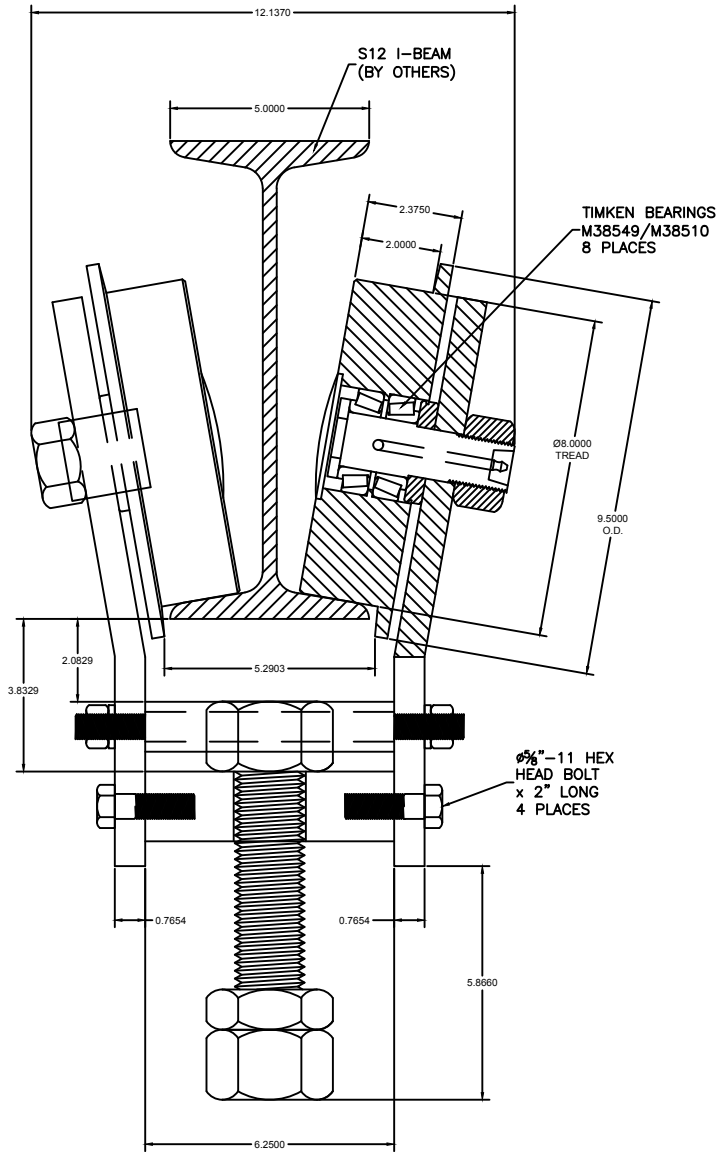


REVISIONS			
REV.	DESCRIPTION	DATE	APPROVED



DWG #CR-8T S12X31.8  
 DESCRIP: 8 TON I-BEAM TROLLEY FOR S12X31.8  
 DRAWN:WRM --- REV:----  
 SHEET #1  
 FILE:z:\engineering\hardware\i-beam\8 ton s12x31.8

8 TON I-BEAM TROLLEY

THE INFORMATION CONTAINED IN THIS DRAWING IS THE SOLE PROPERTY OF CROWN  
 INDUSTRIAL. ANY REPRODUCTION IN PART OR AS A WHOLE WITHOUT WRITTEN  
 PERMISSION OF CROWN INDUSTRIAL IS PROHIBITED.



**CROWN  
 INDUSTRIAL**  
 So. San Francisco, Ca  
 (650) 952-5150  
 www.crown-industrial.com