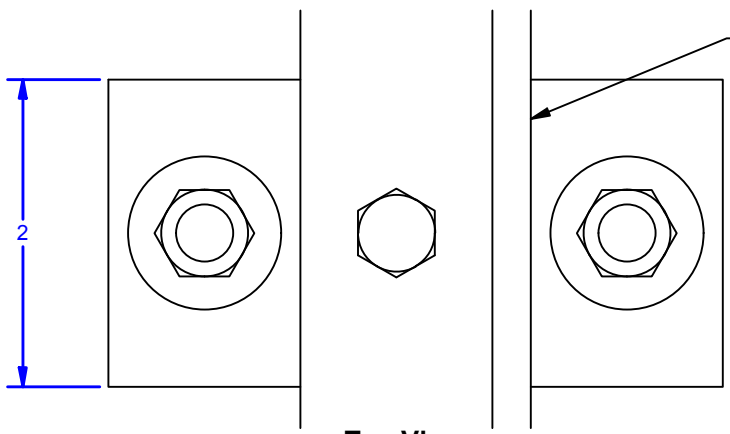
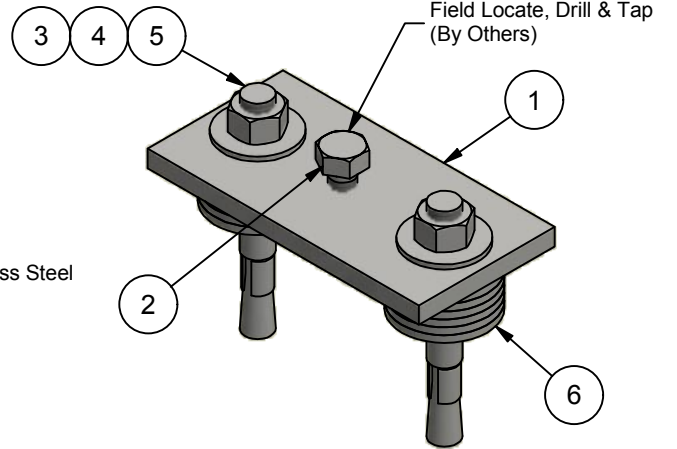
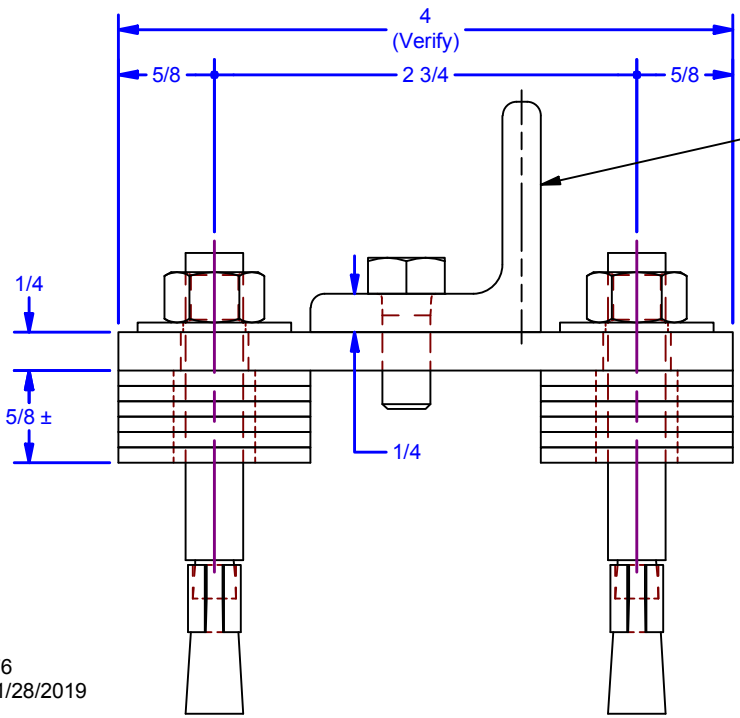


Parts List				
ITEM	QTY	PART #	DESCRIPTION	STOCK #
1	1	0001688	Leveling Plate	CR3-LP
2	1	HHMB 5/16-18 UNC - 0.75 -5 Zinc	Hex Head Machine Bolt -Grade 5, Zinc	
3	2	FW 3/8 - Regular - Type B	Flat Washer	
4	2	N 3/8 - 16	Hex Nut - Grade 5	
5	2	WA375-300	0.375 x 3 Wedge Concrete Anchor	
6	12	FW 1/2 - Regular - Type B	Flat Washer	



**Top View**



**ALL DIMENSIONS IN INCHES**

THE INFORMATION CONTAINED IN THIS DRAWING IS THE SOLE PROPERTY OF CROWN INDUSTRIAL. ANY REPRODUCTION IN PART OR AS A WHOLE WITHOUT THE WRITTEN PERMISSION OF CROWN INDUSTRIAL IS PROHIBITED.

ID #: 0002816  
MATERIAL:

STOCK PART #: CR3-LP

DESCRIPTION:  
Leveling Plate Assembly @ 24" Centers

FINISH:  
Prime Painted

# PCS: | REV:

DWG #: 0001676  
DRAWN:BCM 1/28/2019  
SHEET #4  
File: 0001676.idw

**CROWN INDUSTRIAL**  
So. San Francisco, Ca  
(650) 952-5150  
www.crown-industrial.com

4

3

2

1

D

D

C

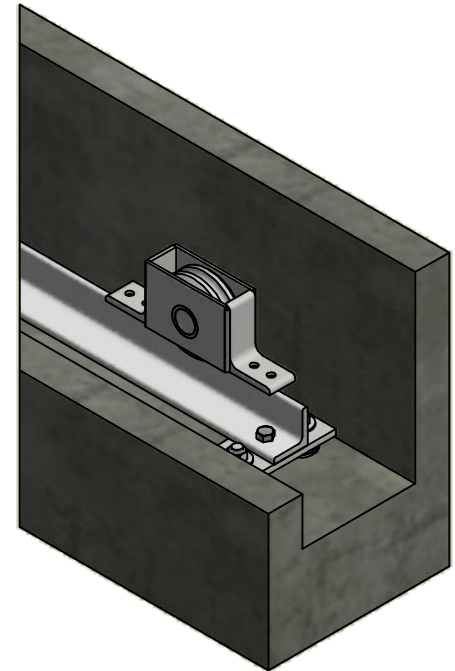
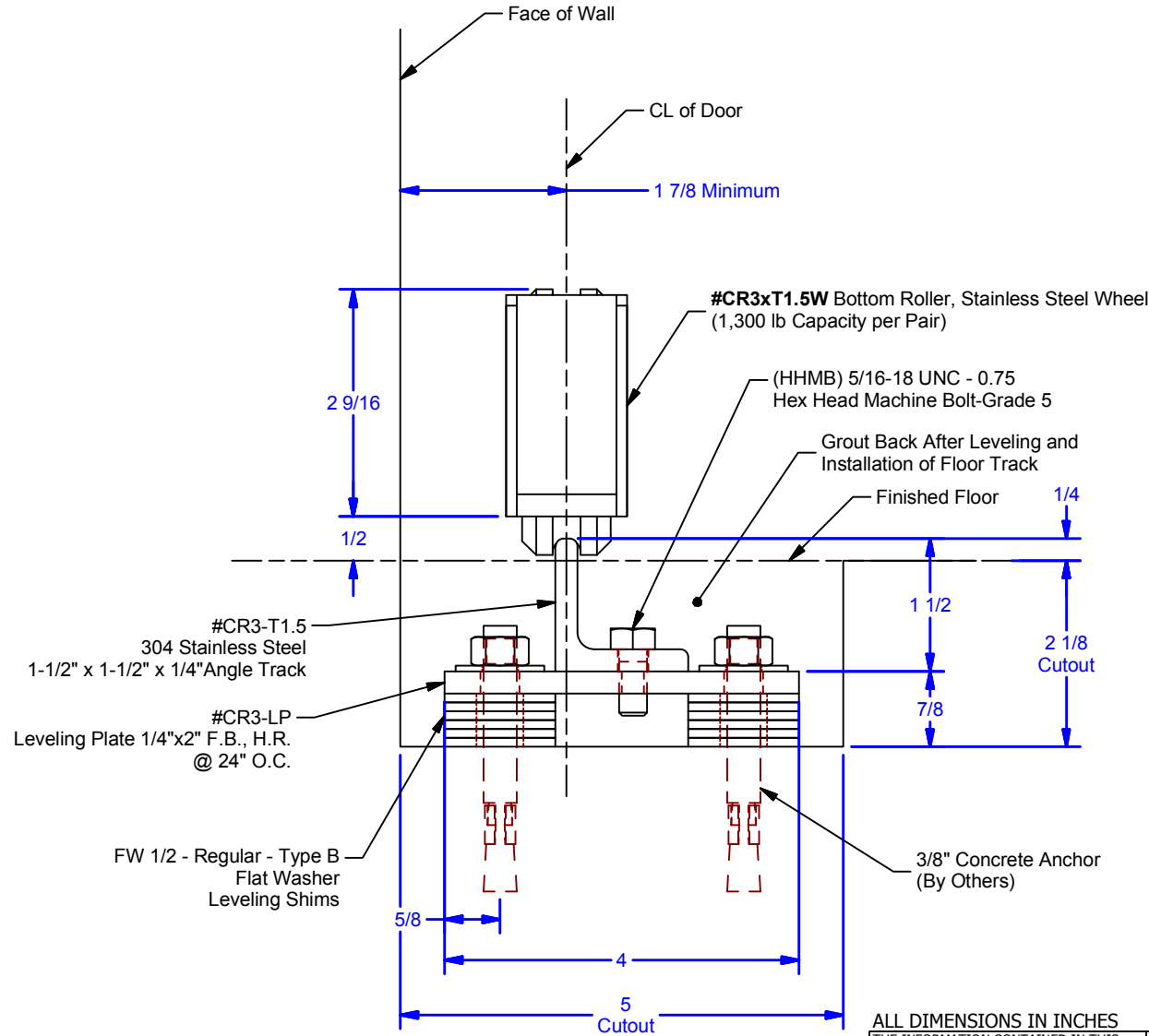
C

B

B

A

A



ALL DIMENSION  $\pm 1/32"$   
**DO NOT USE AS TEMPLATE, REFERENCE ONLY DRAWING**

**ALL DIMENSIONS IN INCHES**

THE INFORMATION CONTAINED IN THIS DRAWING IS THE SOLE PROPERTY OF CROWN INDUSTRIAL. ANY REPRODUCTION IN PART OR AS A WHOLE WITHOUT THE WRITTEN PERMISSION OF CROWN INDUSTRIAL IS PROHIBITED.

ID #:	0001686	STOCK PART #:	CR3xT1.5W
MATERIAL:			

DESCRIPTION:

Bottom Roller & Floor Track : Leveling Plate Option

FINISH:	# PCS:	REV:
---------	--------	------

DWG #: 0001676  
 DRAWN:BCM 6/26/2014  
 SHEET #3  
 File: 0001676.idw



**CROWN INDUSTRIAL**  
 So. San Francisco, Ca  
 (650) 952-5150  
 www.crown-industrial.com

4

3

2

1

A

4

3

2

1

D

D

C

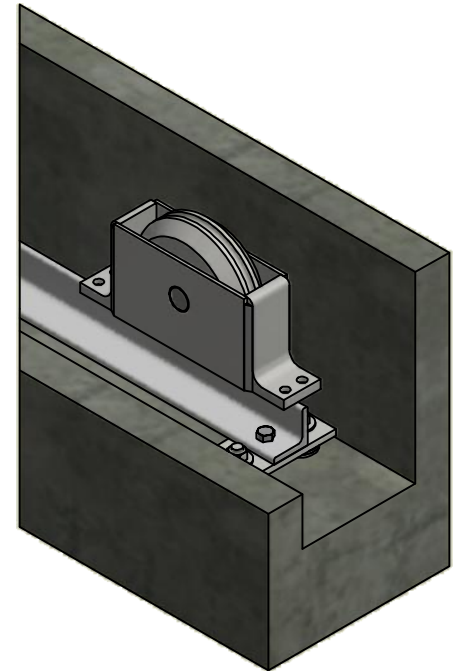
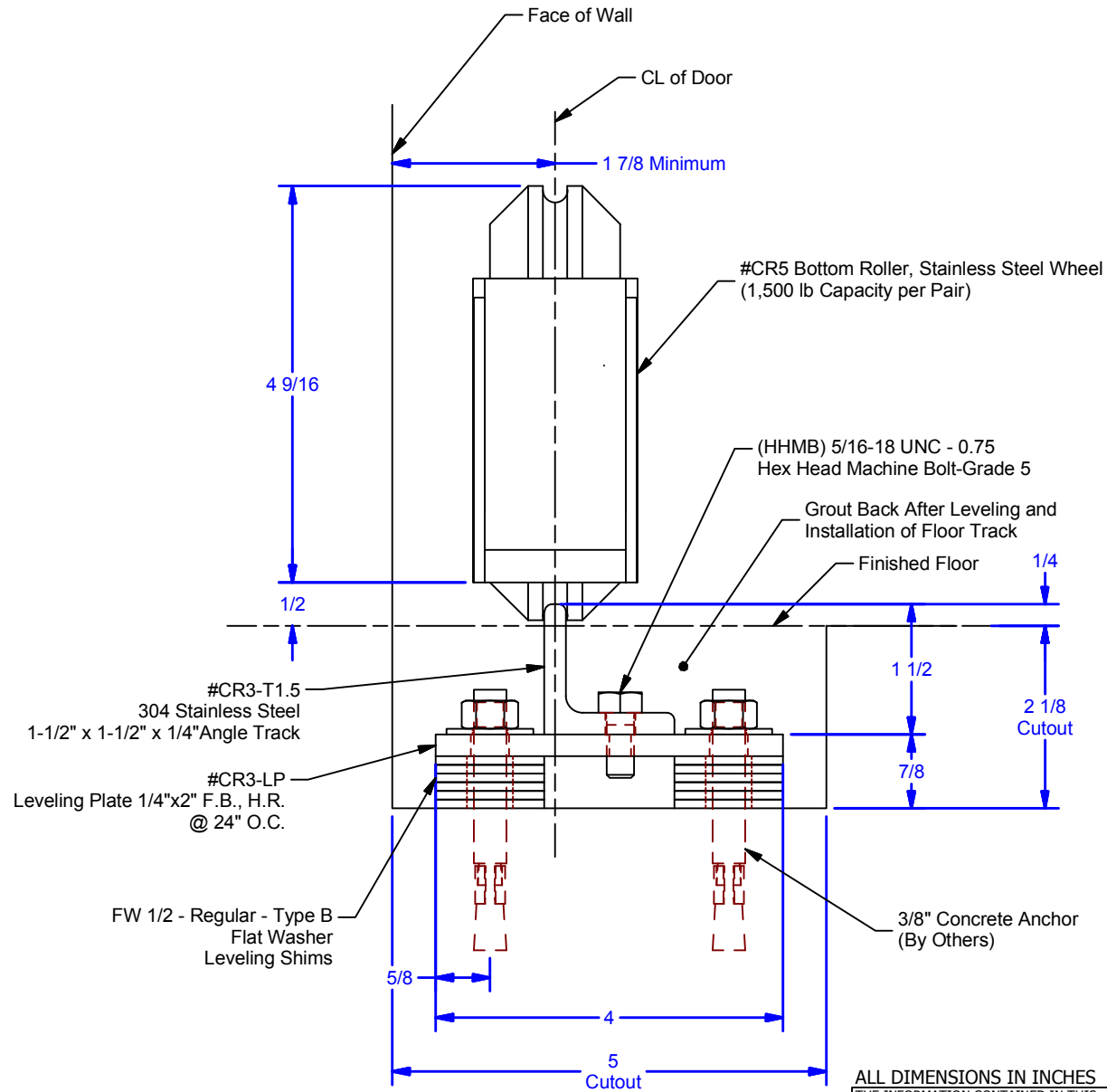
C

B

B

A

A



ALL DIMENSION  $\pm 1/32"$   
**\*DO NOT USE AS TEMPLATE, REFERENCE ONLY DRAWING**

**ALL DIMENSIONS IN INCHES**

THE INFORMATION CONTAINED IN THIS DRAWING IS THE SOLE PROPERTY OF CROWN INDUSTRIAL. ANY REPRODUCTION IN PART OR AS A WHOLE WITHOUT THE WRITTEN PERMISSION OF CROWN INDUSTRIAL IS PROHIBITED.	ID #: 0001686	STOCK PART #:
DESCRIPTION: Bottom Roller & Floor Track : Leveling Plate Option	MATERIAL:	
FINISH:	# PCS:	REV:



**CROWN INDUSTRIAL**  
 So. San Francisco, Ca  
 (650) 952-5150  
 www.crown-industrial.com

DWG #: 0002644  
 DRAWN:BCM 6/26/2014  
 SHEET #2  
 File: 0002644.idw

4

3

2

1

A