

4

3

2

1

D

D

C

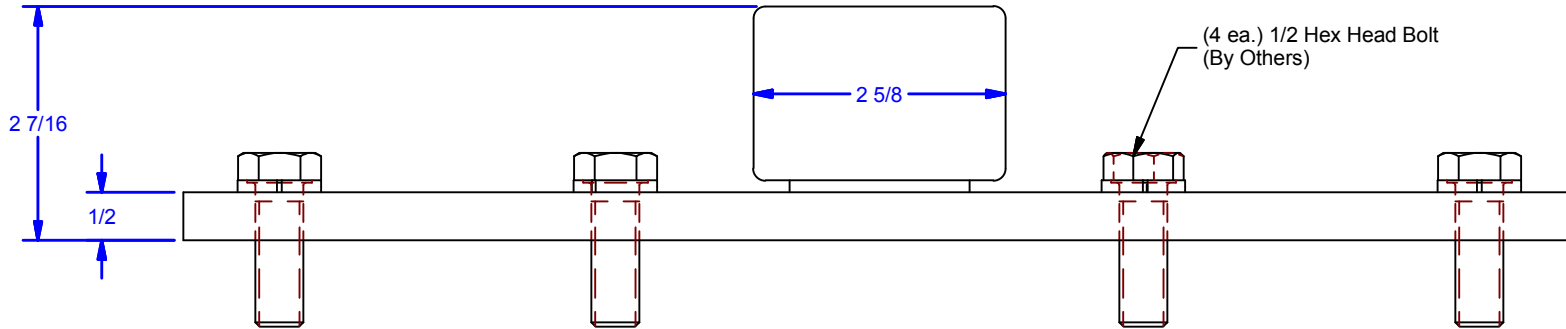
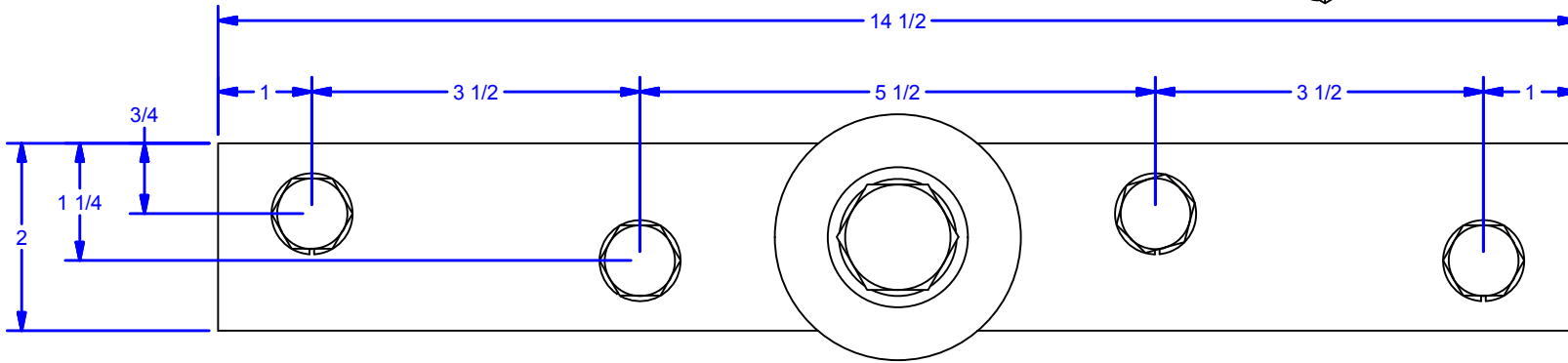
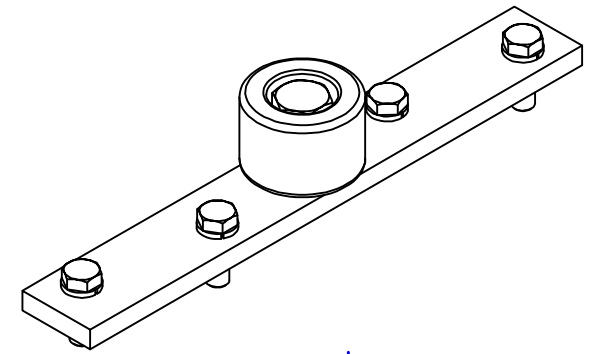
C

B

B

A

A



(4 ea.) 1/2 Hex Head Bolt
(By Others)

ALL DIMENSIONS IN INCHES

THE INFORMATION CONTAINED IN THIS DRAWING IS THE SOLE PROPERTY OF CROWN INDUSTRIAL. ANY REPRODUCTION IN PART OR AS A WHOLE WITHOUT THE WRITTEN PERMISSION OF CROWN INDUSTRIAL IS PROHIBITED.

DESCRIPTION:

Top Guide Roller Assembly

FINISH:

Painted Flat Black

ID #:

0002401

STOCK PART #:

CR313

MATERIAL:

PCS:

2

REV:

DWG #: CR314
DRAWN:BCM 12/28/2016
SHEET #2
File: 0000635.idw



CROWN INDUSTRIAL

So. San Francisco, Ca
(650) 952-5150

www.crown-industrial.com

4

3

2

1

A