

4

3

2

1

D

D

C

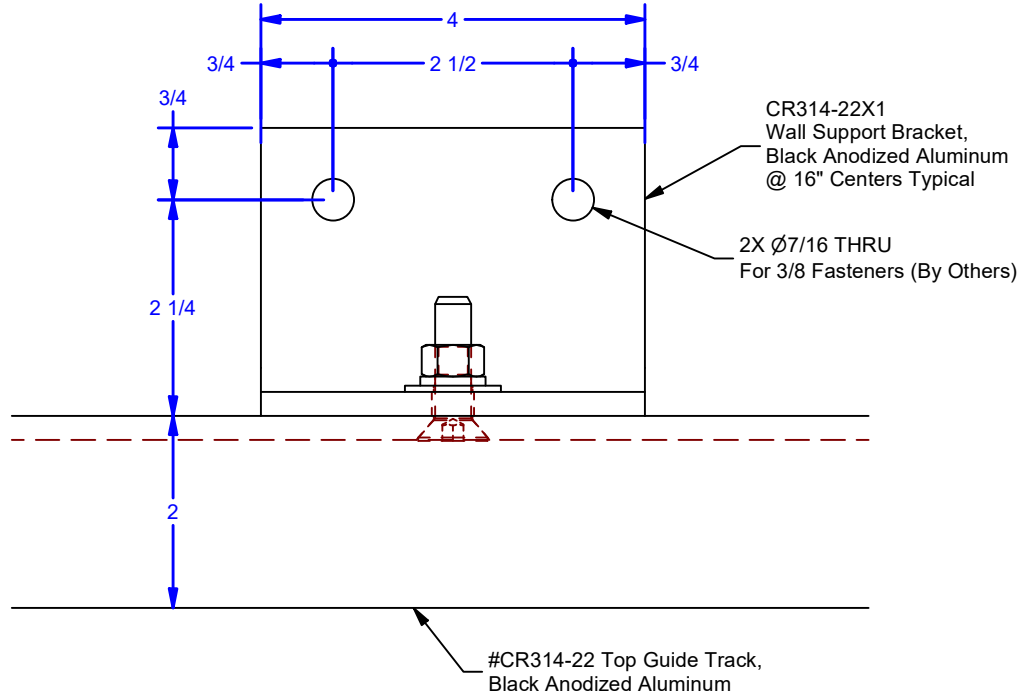
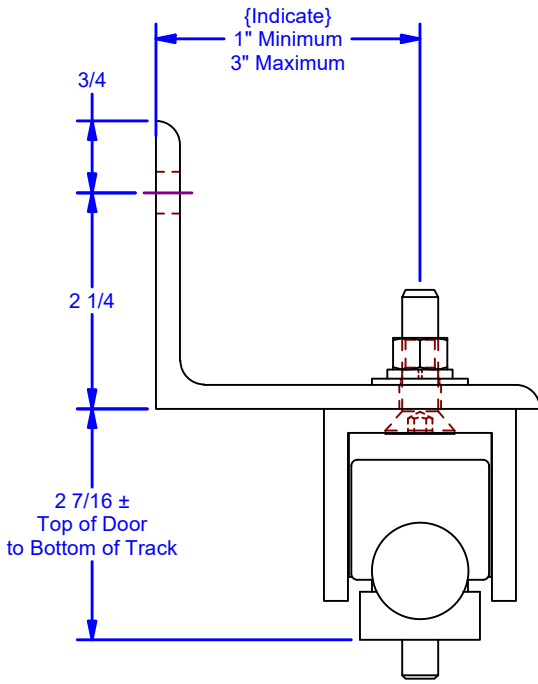
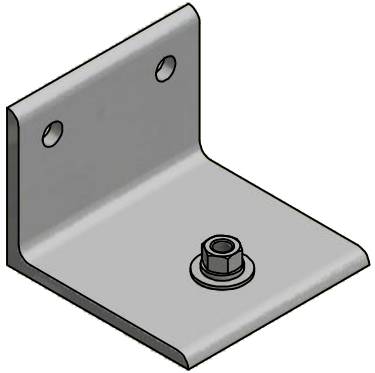
C

B

B

A

A



DWG #: 0001530  
 DRAWN:BCM 3/18/2019  
 SHEET #5  
 File: 0001530.idw

**ALL DIMENSIONS IN INCHES**

THE INFORMATION CONTAINED IN THIS DRAWING IS THE SOLE PROPERTY OF CROWN INDUSTRIAL. ANY REPRODUCTION IN PART OR AS A WHOLE WITHOUT THE WRITTEN PERMISSION OF CROWN INDUSTRIAL IS PROHIBITED.	ID #:	0002838	STOCK PART #:	CR314-22x1
	MATERIAL:			
DESCRIPTION:				
Wall Support Bracket for CR314-22 Track				
FINISH:			# PCS:	REV:
Black Anodized Alum.				



**CROWN INDUSTRIAL**  
 So. San Francisco, Ca  
 (650) 952-5150  
 www.crown-industrial.com

4

3

2

1