

4

3

2

1

D

D

C

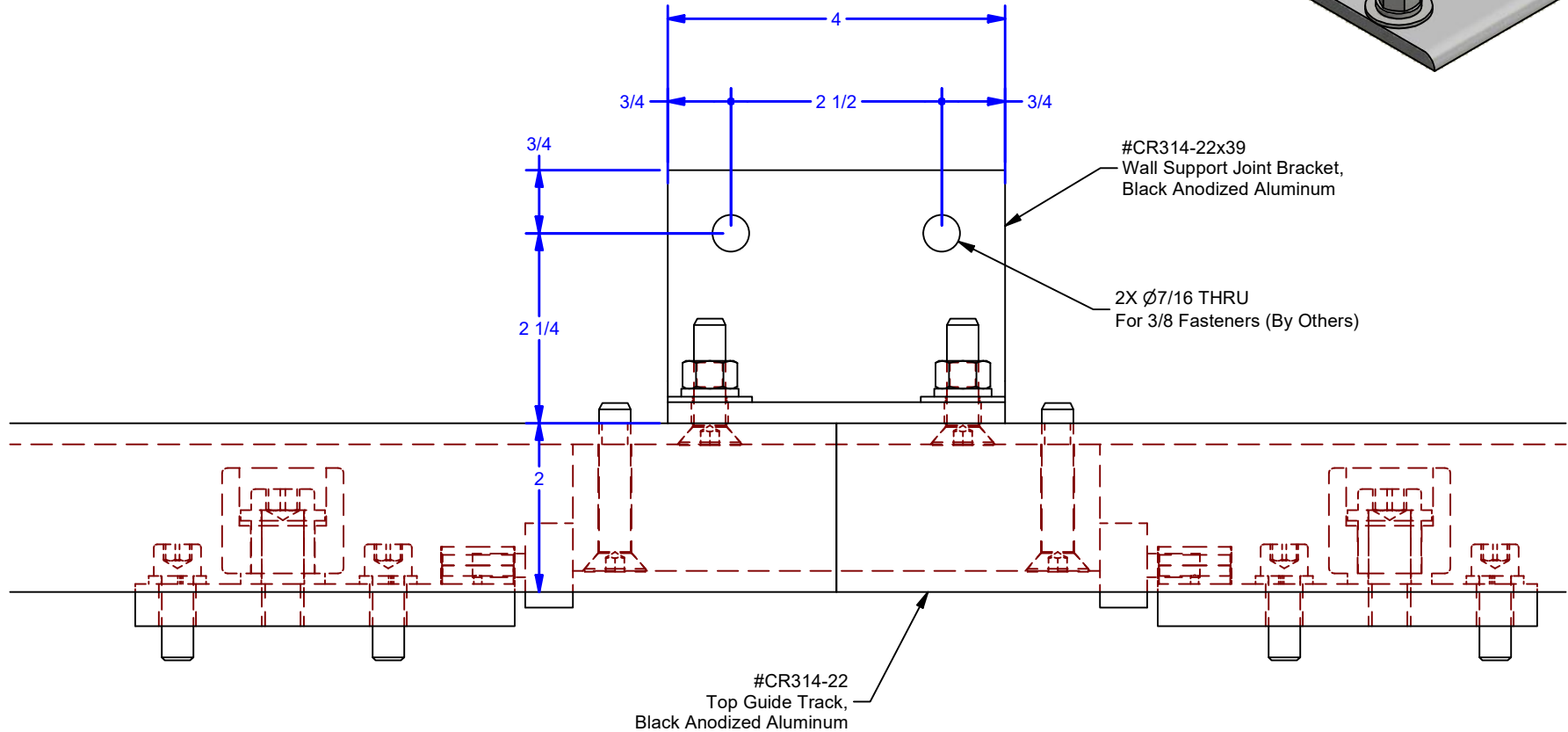
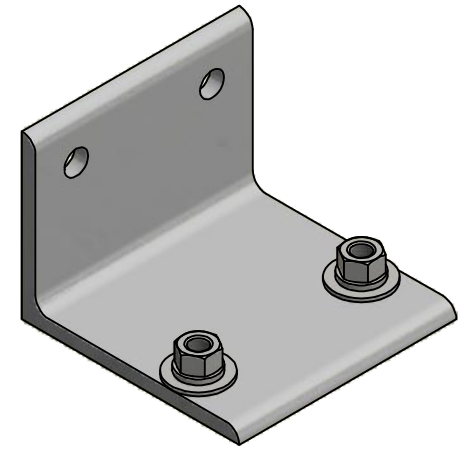
C

B

B

A

A



ALL DIMENSIONS IN INCHES

THE INFORMATION CONTAINED IN THIS DRAWING IS THE SOLE PROPERTY OF CROWN INDUSTRIAL. ANY REPRODUCTION IN PART OR AS A WHOLE WITHOUT THE WRITTEN PERMISSION OF CROWN INDUSTRIAL IS PROHIBITED.

DESCRIPTION:

Wall Support Joint Bracket for CR314-22 Track

FINISH:

Black

ID #:

0002839

MATERIAL:

STOCK PART #:

CR314-22x39

PCS. REV:

DWG #: 0001530
DRAWN:BCM 3/18/2019
SHEET #6

File: 0001530.idw



CROWN INDUSTRIAL

So. San Francisco, Ca
(650) 952-5150

www.crown-industrial.com

4

3

2

1

A