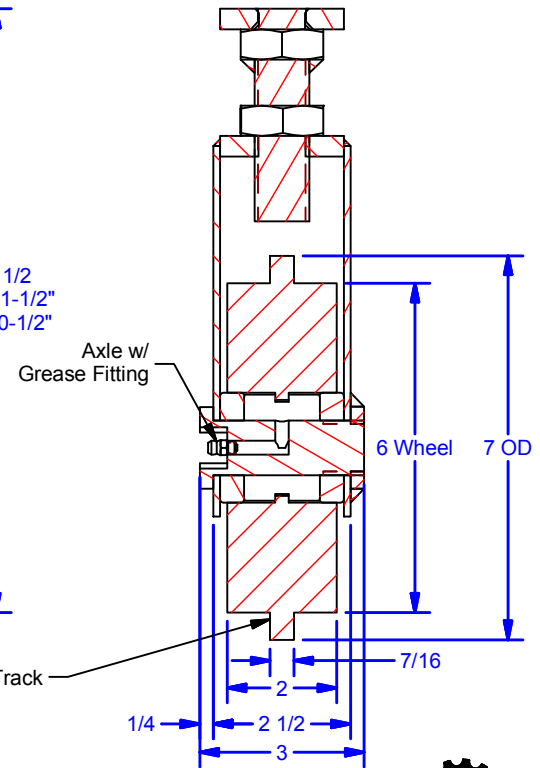


SECTION A-A



ALL DIMENSIONS IN INCHES

THE INFORMATION CONTAINED IN THIS DRAWING IS THE SOLE PROPERTY OF CROWN INDUSTRIAL. ANY REPRODUCTION IN PART OR AS A WHOLE WITHOUT THE WRITTEN PERMISSION OF CROWN INDUSTRIAL IS PROHIBITED.

ID #:	0002017-02	STOCK PART #:	CR6-M
MATERIAL:			

DESCRIPTION:
6" Bottom Roller, Male Flange for 3" Thk. Door

FINISH:	Ptd. Black	# PCS:	1	REV:	
---------	------------	--------	---	------	--

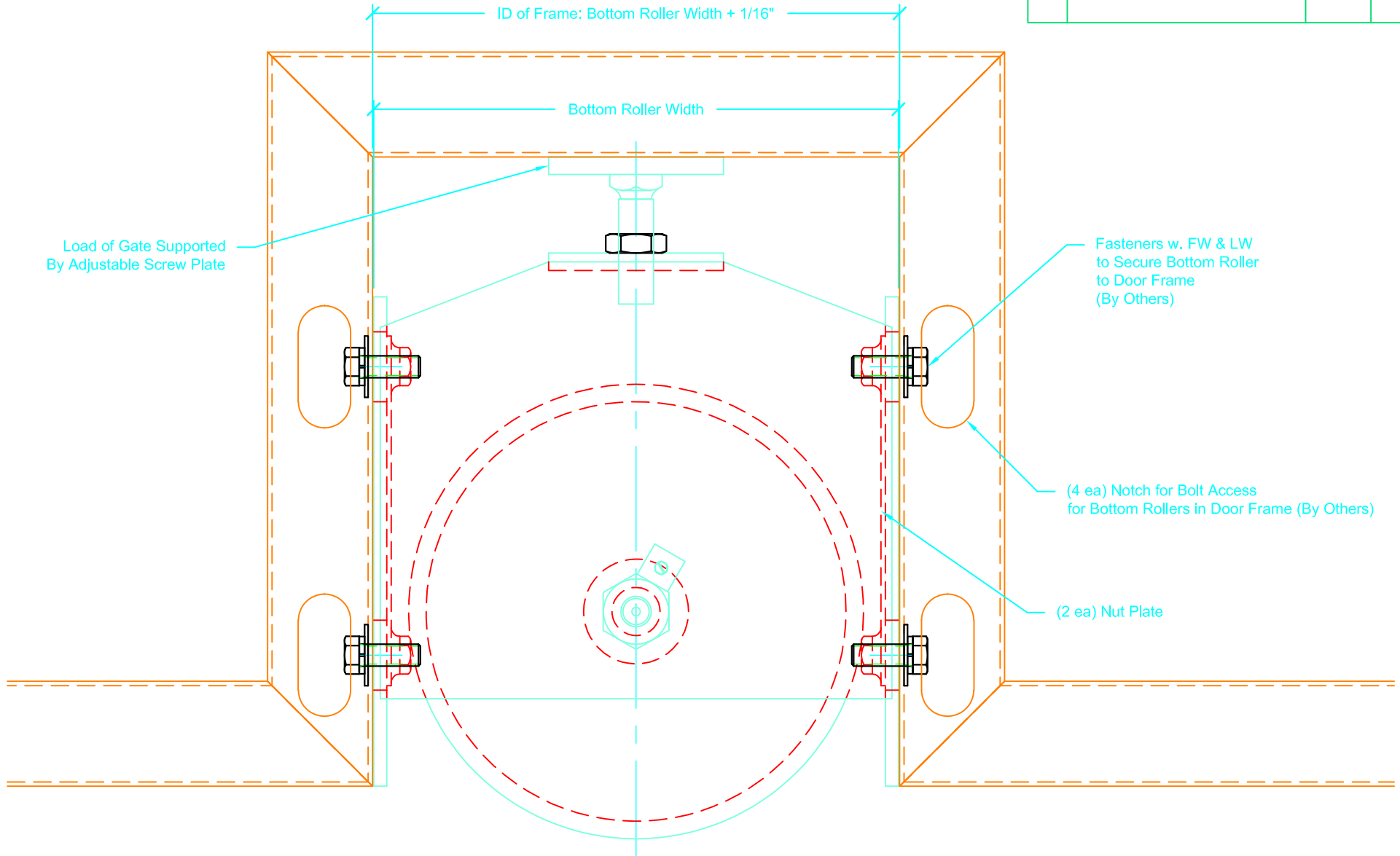


CROWN INDUSTRIAL
So. San Francisco, Ca
(650) 952-5150
www.crown-industrial.com

DWG #: 0000946
DRAWN:BCM 5/21/2015
SHEET #3
File: 0000946.idw

Ratings @ 10RPM
Radial: 7,500 lbs.
Thrust: 3,000 lbs.

REVISIONS			
REV.	DESCRIPTION	DATE	APPROVED



1

Bottom Roller Generic Support Detail

 DWG #0003277
 DESCRIP: BOTTOM ROLLERS
 DRAWN:BCM 1-21-25 REV:-----
 SCALE: 3" = 1'-0"
 SHEET # 1
 FILE:d:\vault\workspace\designs_hardware\bottom rollers\0003277

THE INFORMATION CONTAINED IN THIS DRAWING IS THE SOLE PROPERTY OF CROWN INDUSTRIAL. ANY REPRODUCTION IN PART OR AS A WHOLE WITHOUT WRITTEN PERMISSION OF CROWN INDUSTRIAL IS PROHIBITED.



CROWN INDUSTRIAL
 So. San Francisco, Ca
 (650) 952-5150
 www.crown-industrial.com