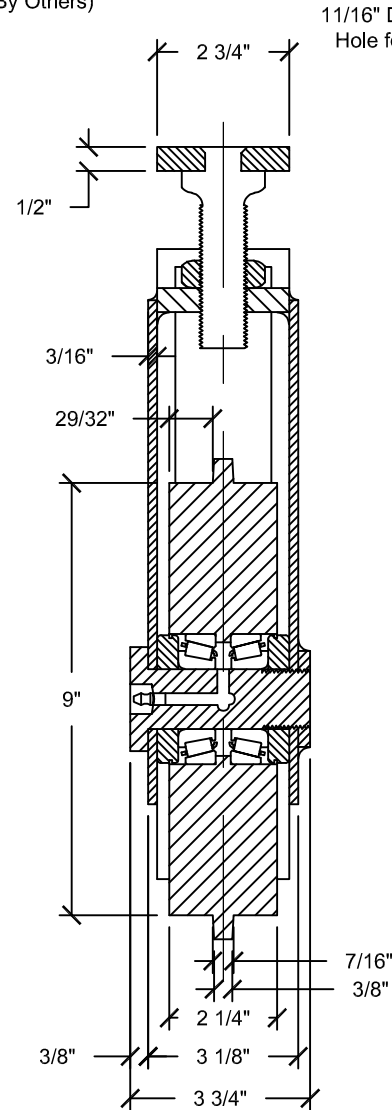
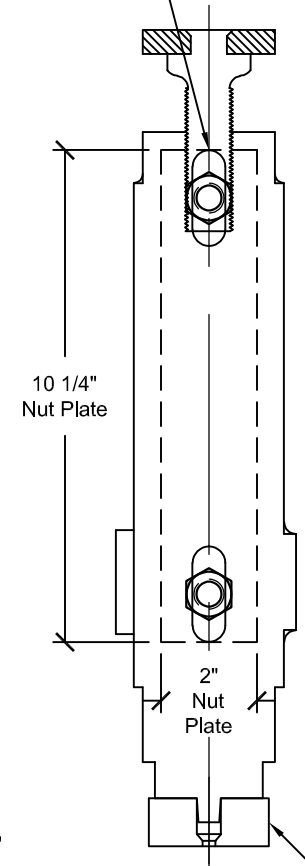


RATINGS AT 10 RPM PER WHEEL
 RADIAL: 9825 LBS.
 THRUST: 3685 LBS.

(4 ea) 5/8"-11 Fasteners
 (By Others)



11/16" Dia. Slotted
 Hole for 5/8" Bolt



740-SS
 Floor Track
 w. 1/2" Slot

DWG #0003277
 DRAWN:BCM 1-21-25 REV:-----
 SCALE: 3" = 1'-0"
 SHEET # CR9-Mx4

FILE:d:\vault\workspace\designs\hardware\bottom rollers\0003277

THE INFORMATION CONTAINED IN THIS DRAWING IS THE SOLE PROPERTY OF CROWN INDUSTRIAL. ANY REPRODUCTION IN PART OR AS A WHOLE WITHOUT WRITTEN PERMISSION OF CROWN INDUSTRIAL IS PROHIBITED.	STOCK #: CR9-Mx4
	DESCRIPTION: 9" Bottom Roller Male Flange: 4" Thick
FINISH: Ptd. Black	MATERIAL: Steel



CROWN INDUSTRIAL
 So. San Francisco, Ca
 (650) 952-5150
 www.crown-industrial.com