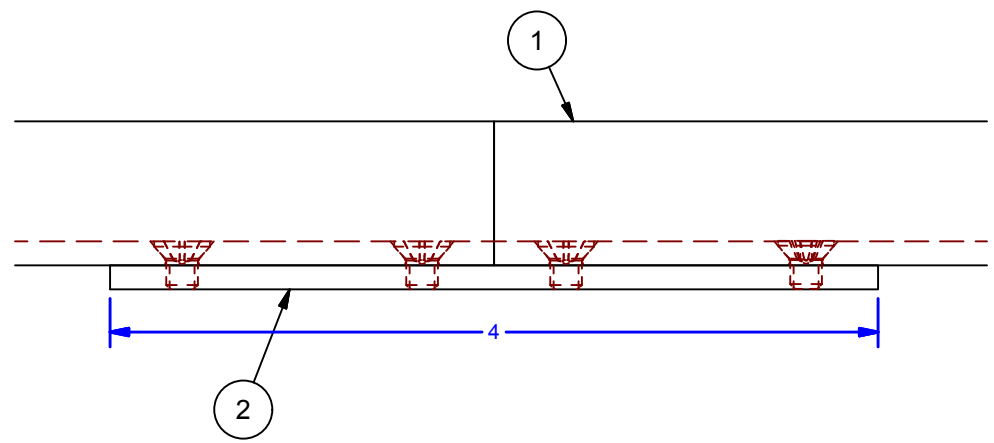
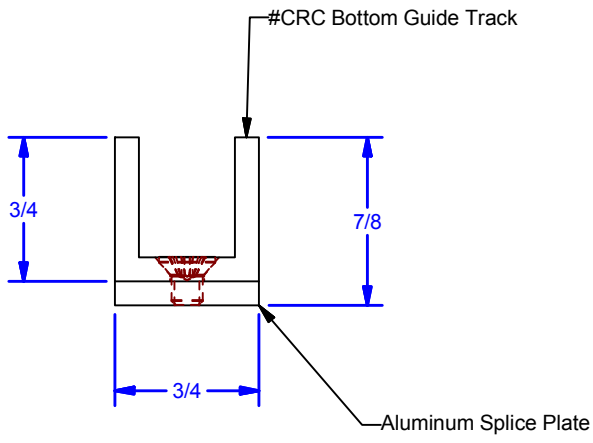
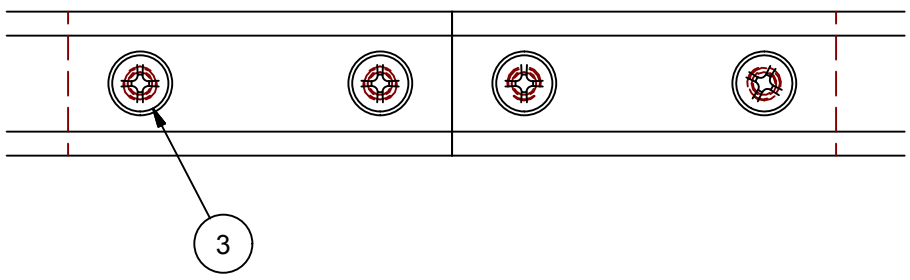


Parts List				
ITEM	QTY	PART #	DESCRIPTION	STOCK #
1	2	0000892	Bottom Guide Channel	CRC75
2	1	0000893	CRC-75 Splice Plate	CRC75SP
3	4	ANSI B18.6.3 - 8-32 x 1/4	#8-32 x 1/4" FHPHMS-Brass	



ALL DIMENSIONS IN INCHES

THE INFORMATION CONTAINED IN THIS DRAWING IS THE SOLE PROPERTY OF CROWN INDUSTRIAL. ANY REPRODUCTION IN PART OR AS A WHOLE WITHOUT THE WRITTEN PERMISSION OF CROWN INDUSTRIAL IS PROHIBITED.	ID #:	0000894	STOCK PART #:	CRC75SP
	MATERIAL:			
DESCRIPTION: CRC75 Splice Plate Assembly				
FINISH:			# PCS:	REV:



CROWN INDUSTRIAL
 So. San Francisco, Ca
 (650) 952-5150
www.crown-industrial.com

DWG #: CRC-75
 DRAWN: BCM 10/13/2010
 SHEET #2
 File: 0000891.idw