

4

3

2

1

D

D

C

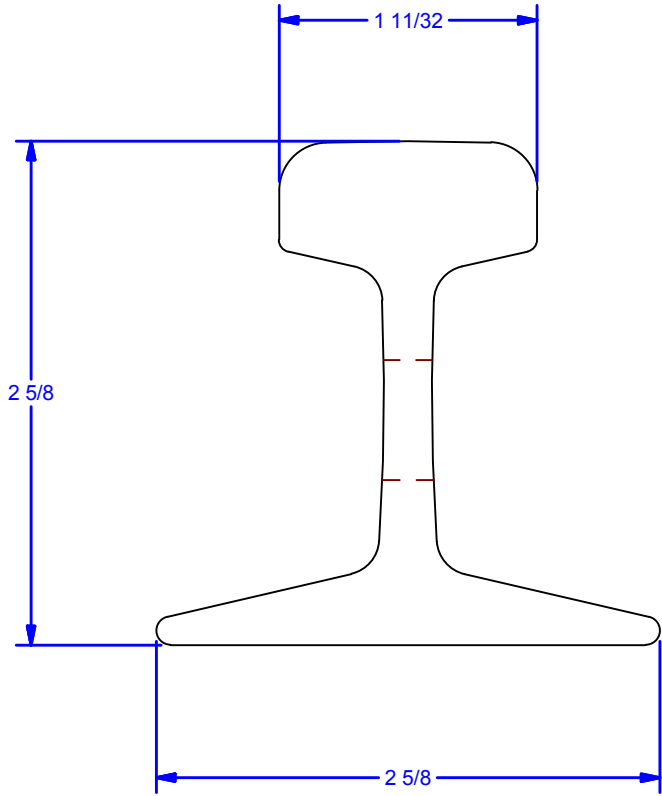
C

B

B

A

A



ALL DIMENSIONS IN INCHES #20-LB RAIL

THE INFORMATION CONTAINED IN THIS DRAWING IS THE SOLE PROPERTY OF CROWN INDUSTRIAL. ANY REPRODUCTION IN PART OR AS A WHOLE WITHOUT THE WRITTEN PERMISSION OF CROWN INDUSTRIAL IS PROHIBITED.	PART #:	STOCK #:
	0000665	CRR20
	MATERIAL:	
	Steel, Mild	
DESCRIPTION:		
#20-LB Rail for Bottom Roller		
FINISH:	# PCS:	REV:
Prime Ptd.		



**CROWN INDUSTRIAL**  
 So. San Francisco, Ca  
 (650) 952-5150  
[www.crown-industrial.com](http://www.crown-industrial.com)

DWG #: CRR20  
 DRAWN:BCM 8/27/2009  
 SHEET #1  
 File: 0000665.idw

4

3

2

1