

**CRS14x11**

1 Min. Door Lap

Edge of Opening

Door Shown Above

Trailing Edge of Door in Full Closed Position

Door Slides this Direction

Ø7/8

**PLAN VIEW**

3/8" Min. Clear Between Face of Door and Wall

1 3/4 Min. Door Thickness

(2 ea.) #10 Flat Head Fasteners (By Others)

1/2

3 1/4

1 3/4

1/4 Min. Clear

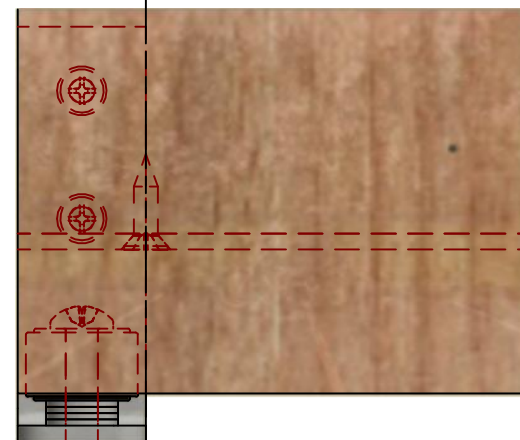
(INDICATE)

#10 Flat Head Fasteners @ 16" Centers, typical (By Others)

1 1/4 Mortise Door (By Others)

#CRSC14 Concealed Roller Channel (1-3/4" min. thick door)

1 1/4 Mortise Door (By Others)



**ELEVATION VIEW**

**END VIEW**

**Available Finishes**

CRS14X11-Z: Black Oxide Wheel  
CRS14X11-S: Stainless Steel Wheel

**ALL DIMENSIONS IN INCHES**

THE INFORMATION CONTAINED IN THIS DRAWING IS THE SOLE PROPERTY OF CROWN INDUSTRIAL. ANY REPRODUCTION IN PART OR AS A WHOLE WITHOUT THE WRITTEN PERMISSION OF CROWN INDUSTRIAL IS PROHIBITED.

ID #:

0001941

STOCK PART #:

CRS14x11

MATERIAL:

DESCRIPTION:

Wall Mounted Stay SINGLE Roller

FINISH:

# PCS:

REV:

A



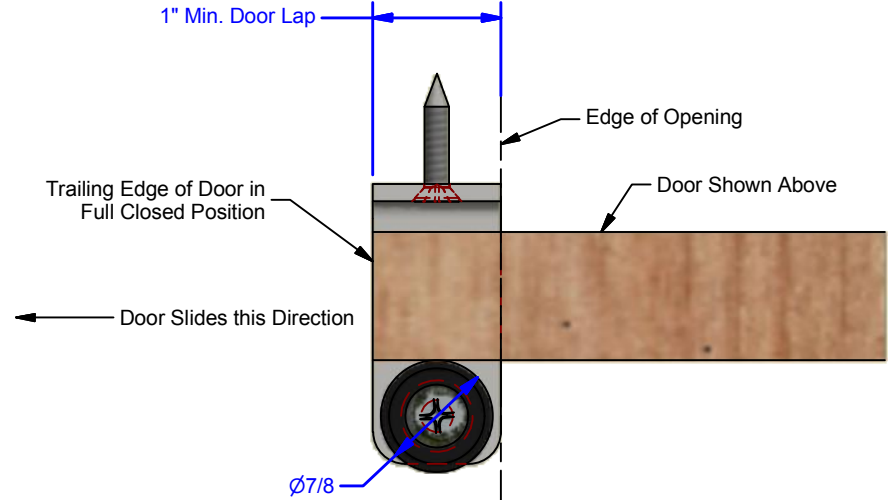
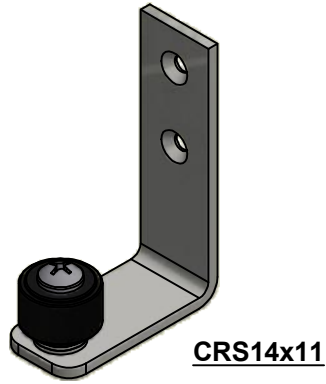
**CROWN INDUSTRIAL**

So. San Francisco, Ca  
(650) 952-5150

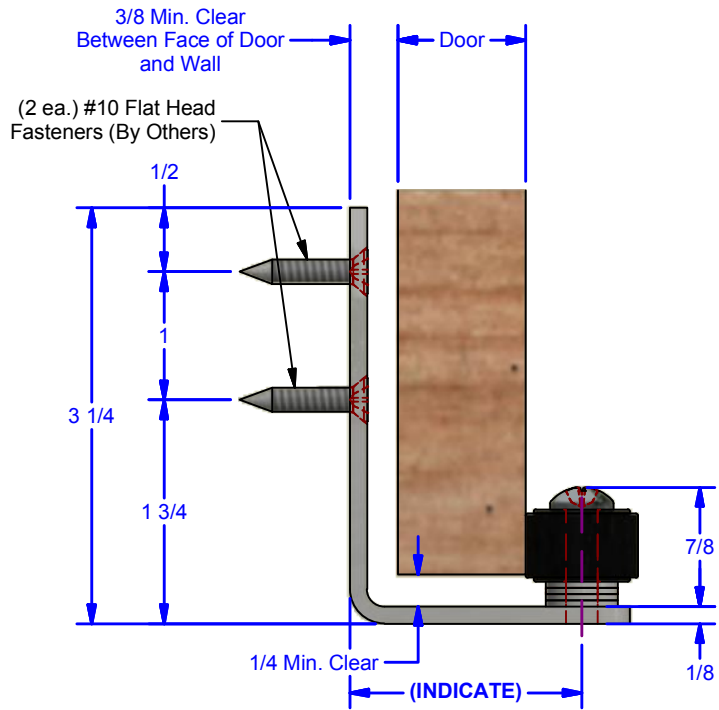
www.crown-industrial.com

DWG #: 0000504  
DRAWN: BCM 1/12/2017  
SHEET #5

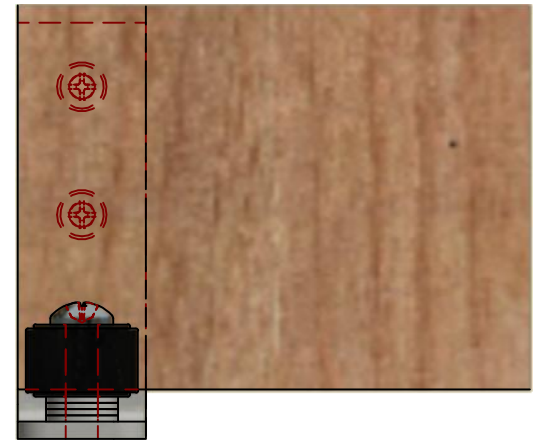
File: 0000504.idw



**PLAN VIEW**



**END VIEW**



**ELEVATION VIEW**

**ALL DIMENSIONS IN INCHES**

THE INFORMATION CONTAINED IN THIS DRAWING IS THE SOLE PROPERTY OF CROWN INDUSTRIAL. ANY REPRODUCTION IN PART OR AS A WHOLE WITHOUT THE WRITTEN PERMISSION OF CROWN INDUSTRIAL IS PROHIBITED.

ID #: 0001941

STOCK PART #: CRS14x11

MATERIAL:

DESCRIPTION:  
Wall Mounted Stay SINGLE Roller

FINISH:

# PCS. REV:  
A



**CROWN INDUSTRIAL**

So. San Francisco, Ca  
(650) 952-5150

www.crown-industrial.com

DWG #: 0000504  
DRAWN: BCM 1/12/2017  
SHEET #6

File: 0000504.idw