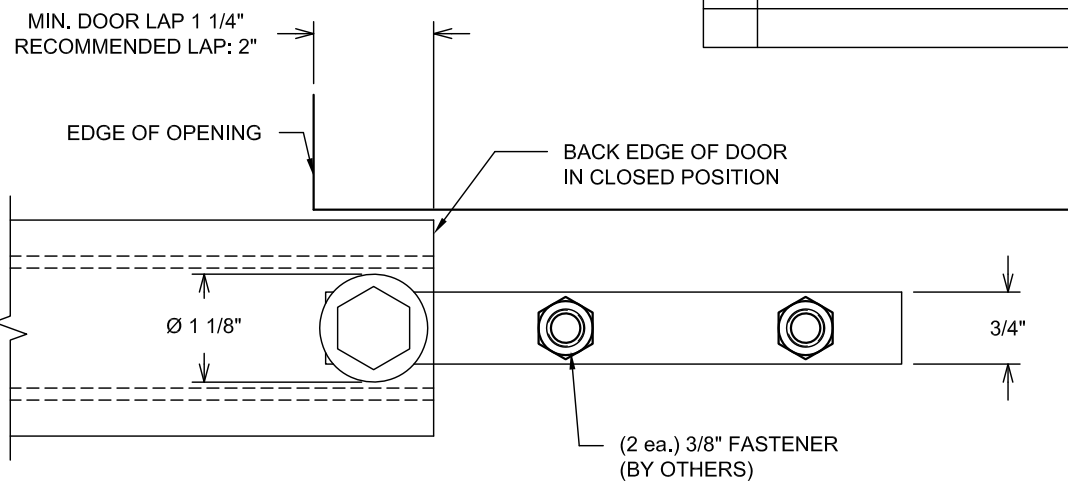
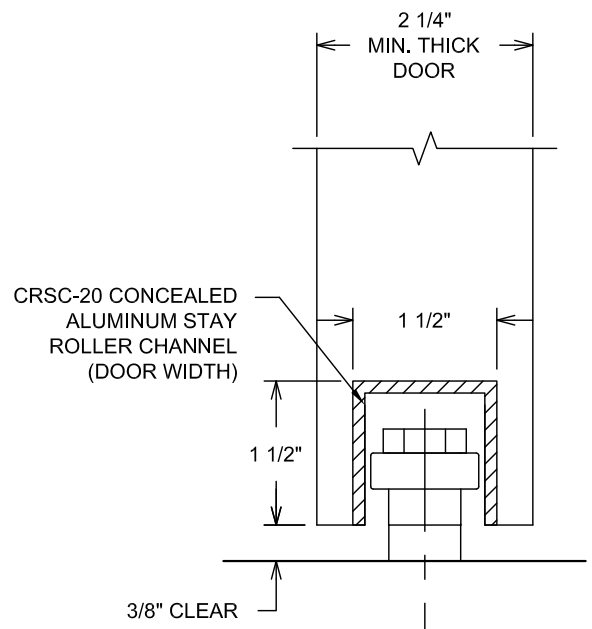


| REVISIONS | | | |
|-----------|-------------|------|----------|
| REV. | DESCRIPTION | DATE | APPROVED |
| | | | |

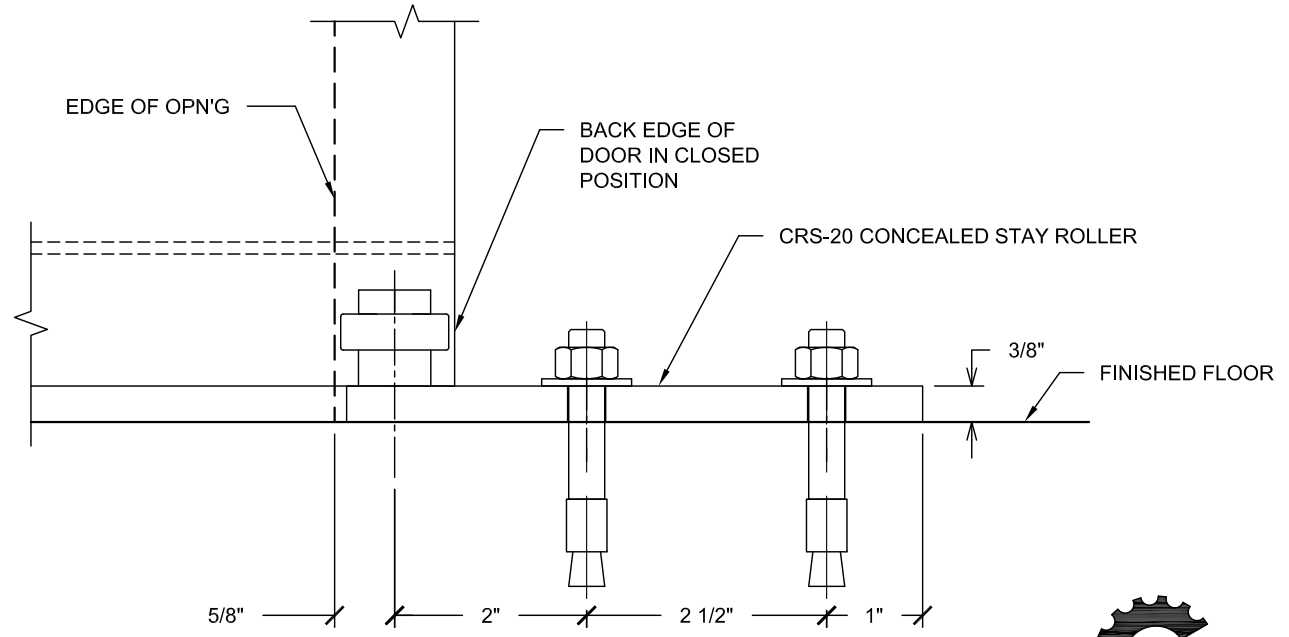


PLAN VIEW



END VIEW

*fasteners not shown for clarity



ELEVATION VIEW

DWG #CRS-20
 DESCRIP: CONCEALED STAY ROLLER ASSY, 2-1/4 THICK DOOR
 MIN. DOOR THICKNESS 2-1/4"
 DRAWN:BCM 10-08-09 REV:-----
 SCALE: 6" = 1'-0"
 SHEET # 1
 FILE:\\dc\userfolders\brian\my documents_inventor\designs\0000693

- CRS-20 AVAIL. FINISHES:
- US2C ZINC PLTD.
 - BLACK ZINC PLTD.
 - STAINLESS STEEL
 - PTD. BLACK
 - PTD. TAN

THE INFORMATION CONTAINED IN THIS DRAWING IS THE SOLE PROPERTY OF CROWN INDUSTRIAL. ANY REPRODUCTION IN PART OR AS A WHOLE WITHOUT WRITTEN PERMISSION OF CROWN INDUSTRIAL IS PROHIBITED.



**CROWN
 INDUSTRIAL
 SUPPLY**
 SO. SAN FRANCISCO, CA
 (650)952-5150