

4

3

2

1

D

D

C

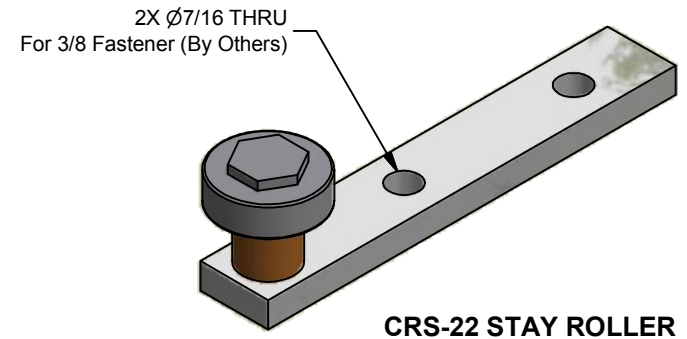
C

B

B

A

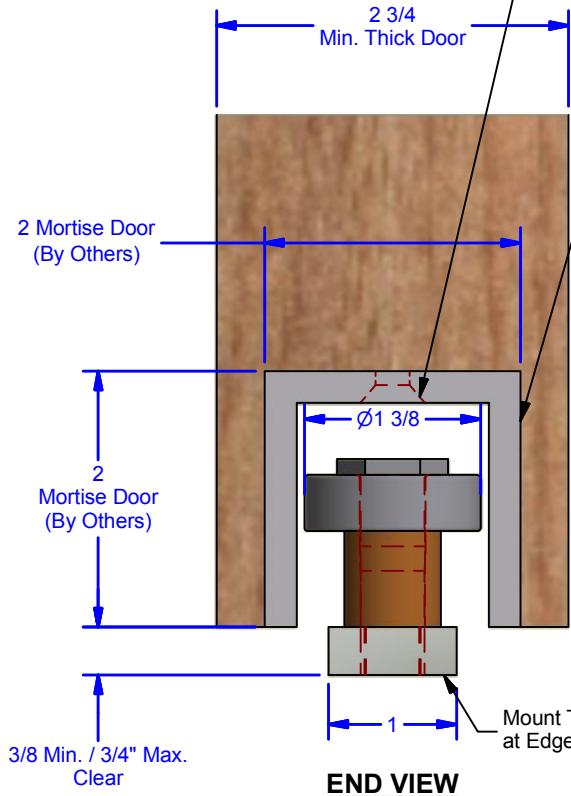
A



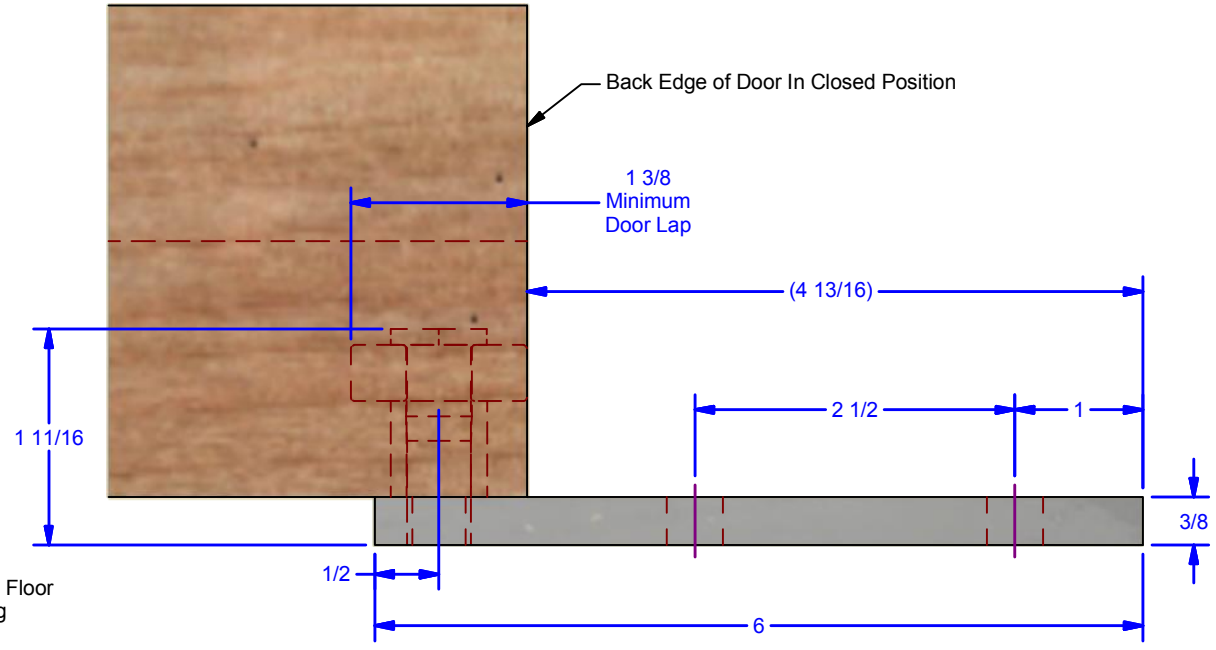
CRS-22 STAY ROLLER

DRILL & COUNTERSINK CHANNEL
FOR 1/4 Flat Head Machine Screw (82) @ 24" O.C.
(By Others)

CRSC-22
Continuous Concealed Stay Roller Channel
2"x2"x1/4" Alum. Channel-6063
(Mortise or attach to bottom of door)



END VIEW



ELEVATION VIEW

Note:
1) For Doors with a Minimum Thickness of 2-3/4".
2) Recommended minimum lap of door and jamb, 1-7/16".

ALL DIMENSIONS IN INCHES

THE INFORMATION CONTAINED IN THIS DRAWING IS THE SOLE PROPERTY OF CROWN INDUSTRIAL. ANY REPRODUCTION IN PART OR AS A WHOLE WITHOUT THE WRITTEN PERMISSION OF CROWN INDUSTRIAL IS PROHIBITED.	ID #:	0000065	STOCK PART #:	CRS22-Z
	MATERIAL:			
DESCRIPTION: Concealed Stay Roller for 1-1/2" Channel, 2" Thick Door				
FINISH: Clear Zinc	# PCS:	1	REV:	



CROWN INDUSTRIAL
So. San Francisco, Ca
(650) 952-5150
www.crown-industrial.com

DWG #: 0000065
DRAWN: BCM 8/6/2002
SHEET #1
File: 0000065.idw

4

3

2

1

