

CRS34

← Door Slides this Direction

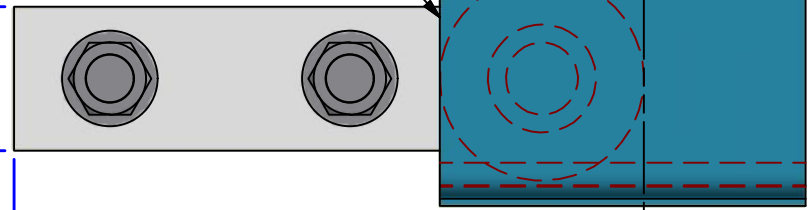
1 1/2

Trailing Edge of Door in Full Closed Position

2 1/8 Min. Door Lap

Edge of Opening

Door Shown Above



PLAN VIEW

6 9/16

2 1/2 Min. Thick Tubular Steel Door (By Others)

#10 Flat Head Fasteners @ 16" Centers, Typical (By Others)

Door Reinforcing, (By Others)

CRS34 2-1/2"x1-1/2" Steel Channel

2 1/8 Delrin

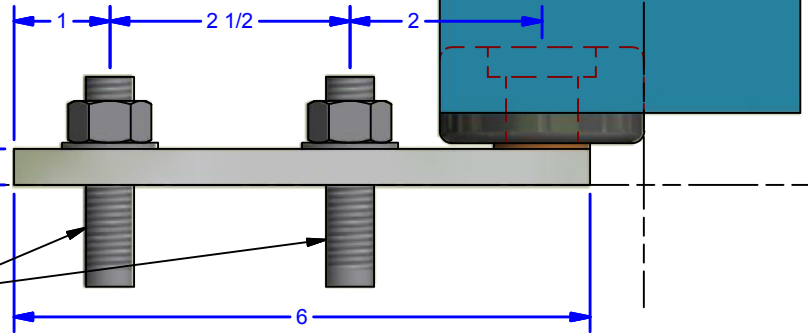
Min. 3/8" Max. 3/4" Clear

1 1/2

3/8

FINISHED FLOOR

(2 ea.) 1/2" Fasteners (By Others)



ELEVATION VIEW

END VIEW

ALL DIMENSIONS IN INCHES

THE INFORMATION CONTAINED IN THIS DRAWING IS THE SOLE PROPERTY OF CROWN INDUSTRIAL. ANY REPRODUCTION IN PART OR AS A WHOLE WITHOUT THE WRITTEN PERMISSION OF CROWN INDUSTRIAL IS PROHIBITED.

ID #:

0000592

STOCK PART #:

CRS34

MATERIAL:

DESCRIPTION:

Concealed Stay Roller

FINISH:

Clear Zinc

PCS:

1

REV:

A



CROWN INDUSTRIAL

So. San Francisco, Ca
(650) 952-5150

www.crown-industrial.com

DWG #: CRS34
DRAWN:BCM 6/12/2009
SHEET #1

File: 0000588.idw