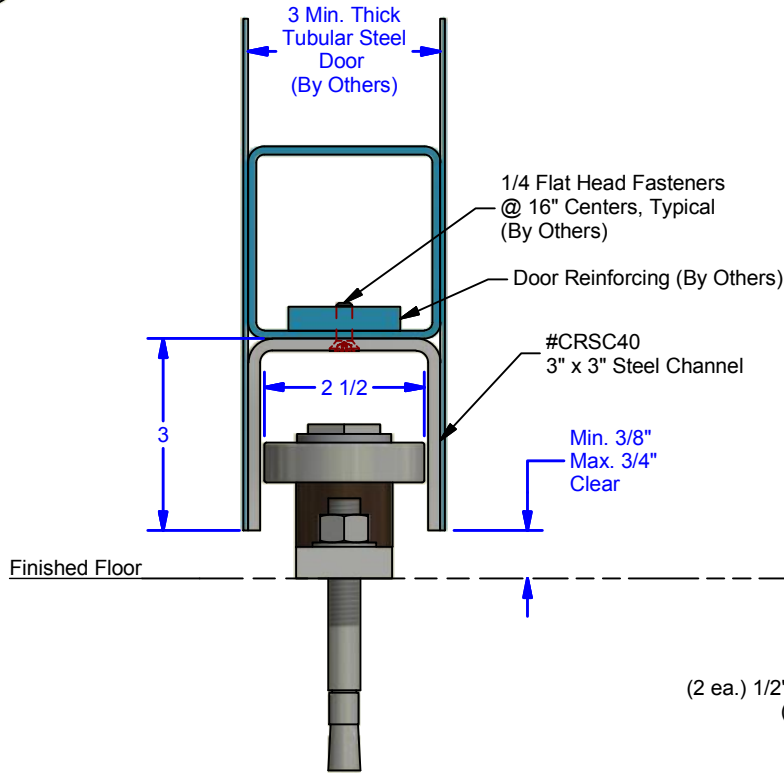
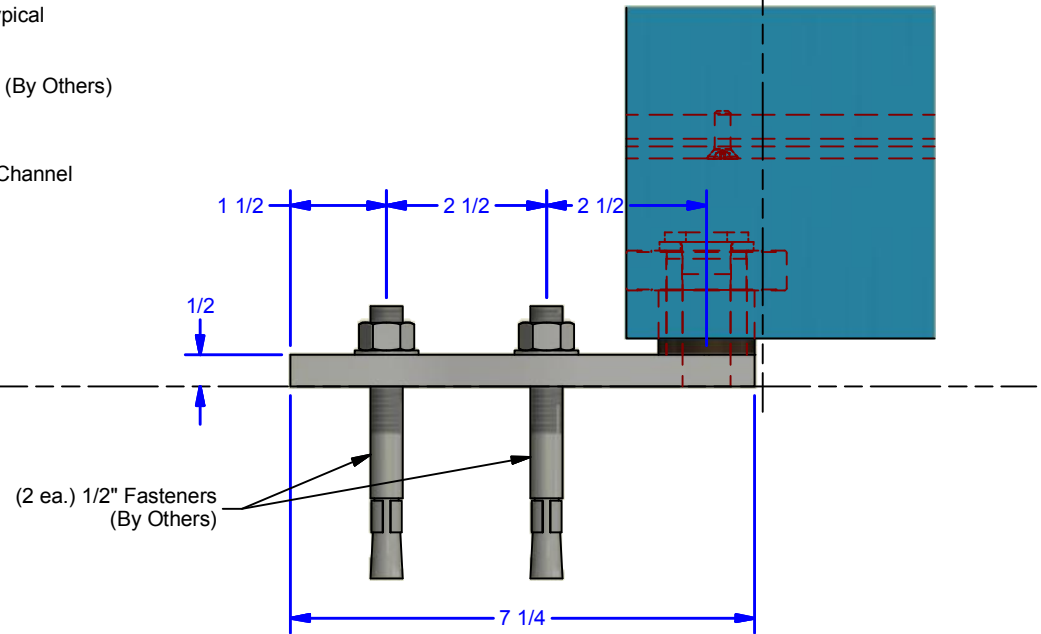


Plan View



End View



Elevation View

ALL DIMENSIONS IN INCHES

THE INFORMATION CONTAINED IN THIS DRAWING IS THE SOLE PROPERTY OF CROWN INDUSTRIAL. ANY REPRODUCTION IN PART OR AS A WHOLE WITHOUT THE WRITTEN PERMISSION OF CROWN INDUSTRIAL IS PROHIBITED.

DESCRIPTION:

Concealed Stay Roller

FINISH:
Clear Zinc

ID #:
0002631

MATERIAL:

STOCK PART #:
CRS40

PCS: | REV:



CROWN INDUSTRIAL

So. San Francisco, Ca
(650) 952-5150

www.crown-industrial.com

DWG #: 0000198
DRAWN:BCM 6/12/2009
SHEET #11

File: 0000198.idw