

4

3

2

1

D

D

C

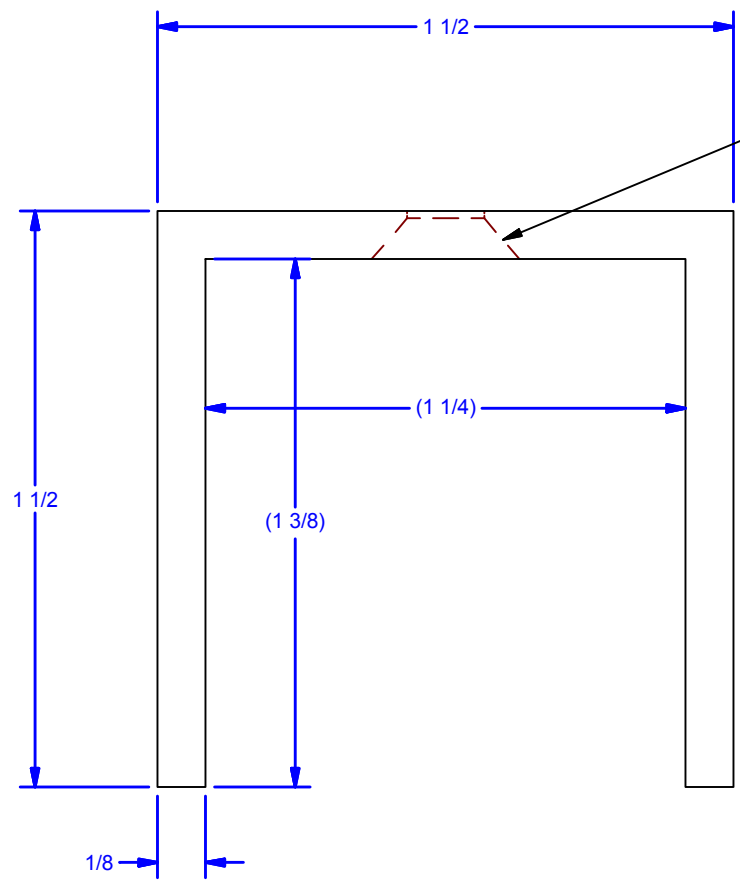
C

B

B

A

A



Drill & Countersink (BY OTHERS) @ 16" Centers
For #10 Flat Head Machine Screw (82)

ALL DIMENSIONS IN INCHES

THE INFORMATION CONTAINED IN THIS DRAWING IS THE SOLE PROPERTY OF CROWN INDUSTRIAL. ANY REPRODUCTION IN PART OR AS A WHOLE WITHOUT THE WRITTEN PERMISSION OF CROWN INDUSTRIAL IS PROHIBITED.

PART #: 0000692
MATERIAL: Aluminum-6061

STOCK #: CRSC20

DESCRIPTION:
Concealed Roller Channel for 2-1/4" Minimum Door Thickness

FINISH: Mill Finish (non-anodized)

# PCS:	REV:



CROWN INDUSTRIAL
So. San Francisco, Ca
(650) 952-5150
www.crown-industrial.com

DWG #: CRS-20
DRAWN:BCM 7/25/2018
SHEET #3
File: 0000694.idw

4

3

2

1

