

4

3

2

1

D

D

C

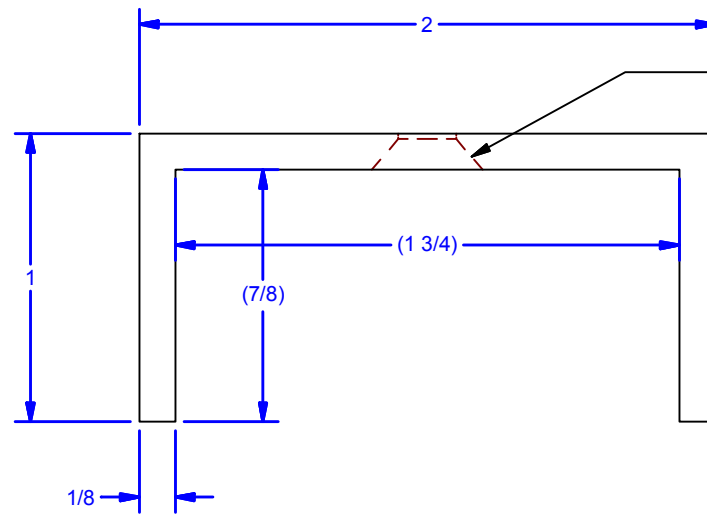
C

B

B

A

A



Drill & Countersink (BY OTHERS) @ 10" Centers
For #10 Flat Head Machine Screw (82)

ALL DIMENSIONS IN INCHES

THE INFORMATION CONTAINED IN THIS DRAWING IS THE SOLE PROPERTY OF CROWN INDUSTRIAL. ANY REPRODUCTION IN PART OR AS A WHOLE WITHOUT THE WRITTEN PERMISSION OF CROWN INDUSTRIAL IS PROHIBITED.	ID #:	0000202	STOCK PART #:	CRSC26
	MATERIAL:	Aluminum-6063		
DESCRIPTION: Concealed Roller Channel for 2" Thick Door				
FINISH:	Mill Finish (non-anodized)		# PCS:	REV:



CROWN INDUSTRIAL

So. San Francisco, Ca
(650) 952-5150

www.crown-industrial.com

DWG #: 0000198
DRAWN:BCM 7/31/2018
SHEET #2

File: 0000198.idw

4

3

2

1

