

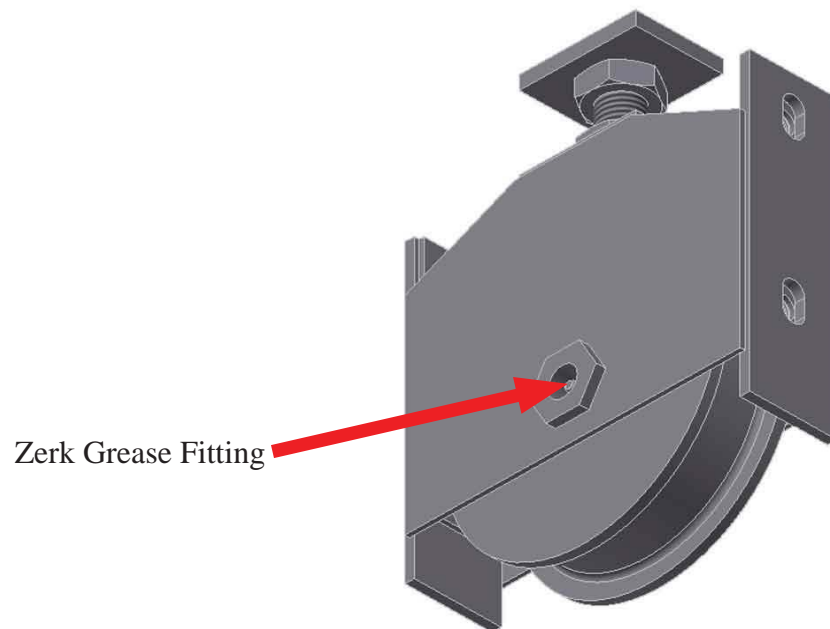


**CROWN INDUSTRIAL SUPPLY**

Door Hardware, Doors, Operators and Complete Systems

## **MAINTENANCE OF BOTTOM ROLLERS**

**Model #s: CR6, CR9, CR12**



Access should be provided to the zerk grease fitting located on the face of the bottom roller as depicted above. Every (1) Year grease should be reapplied depending upon use.



Crown Industrial • 213 Michelle Ct. • So. San Francisco, Ca 94080-6202  
Phone: (650) 952-5150 • Fax: (650) 873-1495  
www.crown-industrial.com Email: autodor@crown-industrial.com