

4

3

2

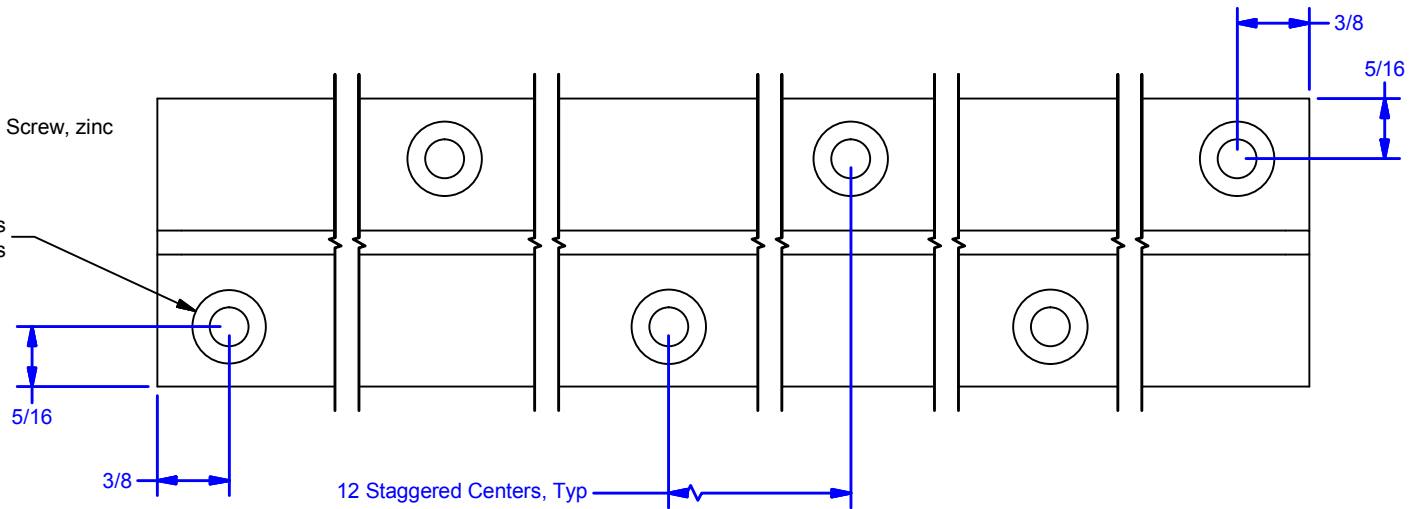
1

D

D

\*Includes #10-16 x 3/4" Flat Phillips Head Sheet Metal Screw, zinc  
\*Different Screw Lengths available upon request

Countersunk Holes  
For #10 Flat Head Fasteners

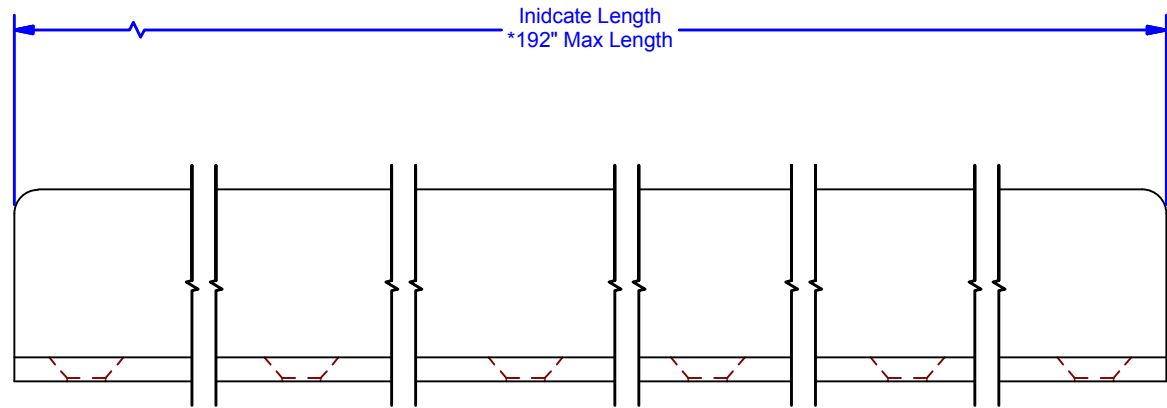
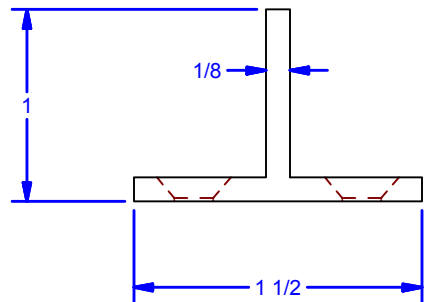


C

C

B

B



A

A

DWG #: 0000340  
DRAWN:BCM 12/13/2006  
SHEET #3  
File: 0000340.idw

ALL DIMENSIONS IN INCHES

THE INFORMATION CONTAINED IN THIS DRAWING IS THE SOLE PROPERTY OF CROWN INDUSTRIAL. ANY REPRODUCTION IN PART OR AS A WHOLE WITHOUT THE WRITTEN PERMISSION OF CROWN INDUSTRIAL IS PROHIBITED.	ID #:	0001931	STOCK PART #:	CTG160FT
	MATERIAL:	Aluminum-6063		
DESCRIPTION: Concealed T Guide x (indicate ") Long				
FINISH:	Clear Ano. Alum. MILL FINISH		# PCS:	1
			REV:	



**CROWN INDUSTRIAL**  
So. San Francisco, Ca  
(650) 952-5150  
www.crown-industrial.com

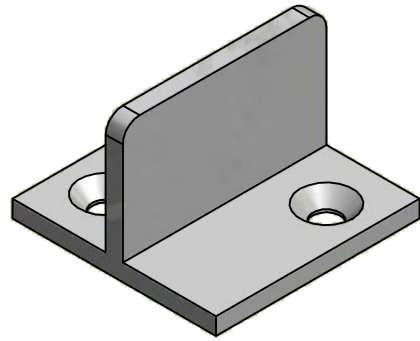
4

3

2

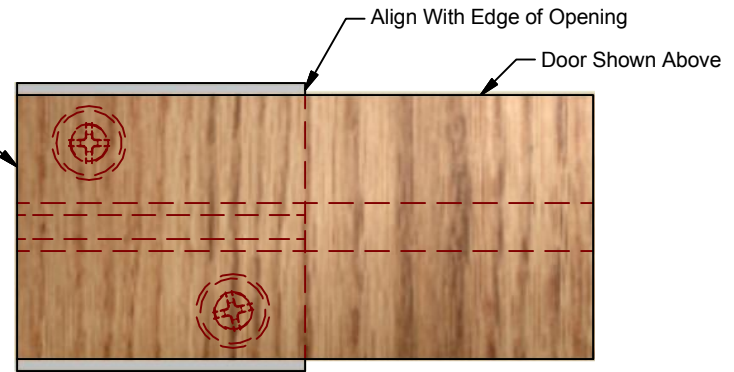
1

A

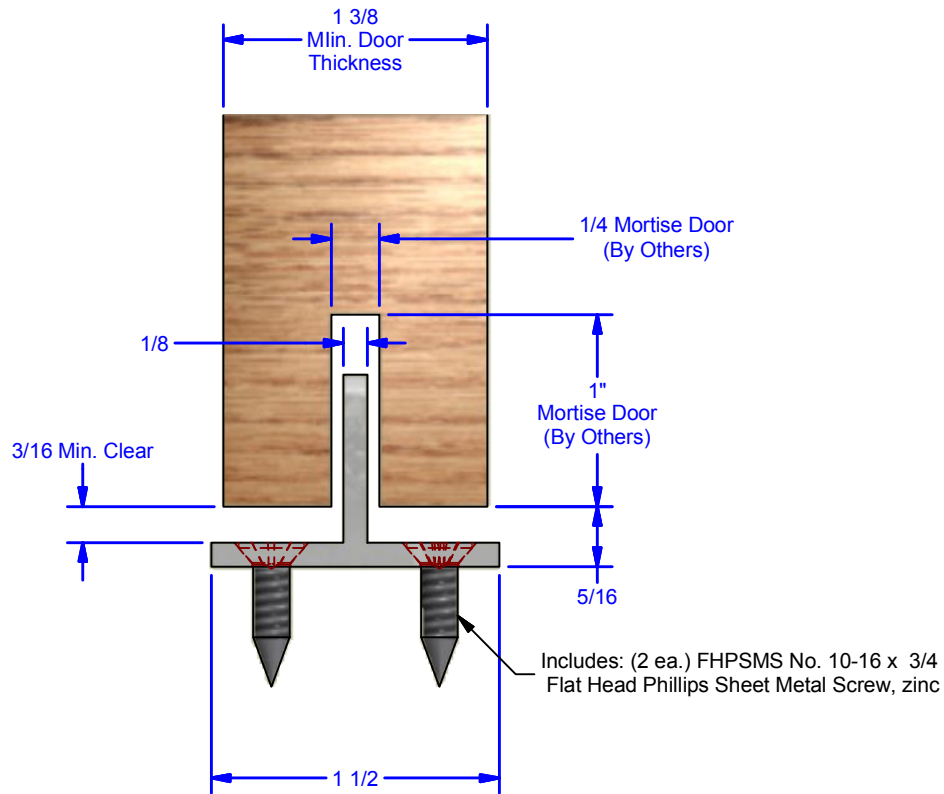


**CTG-160**

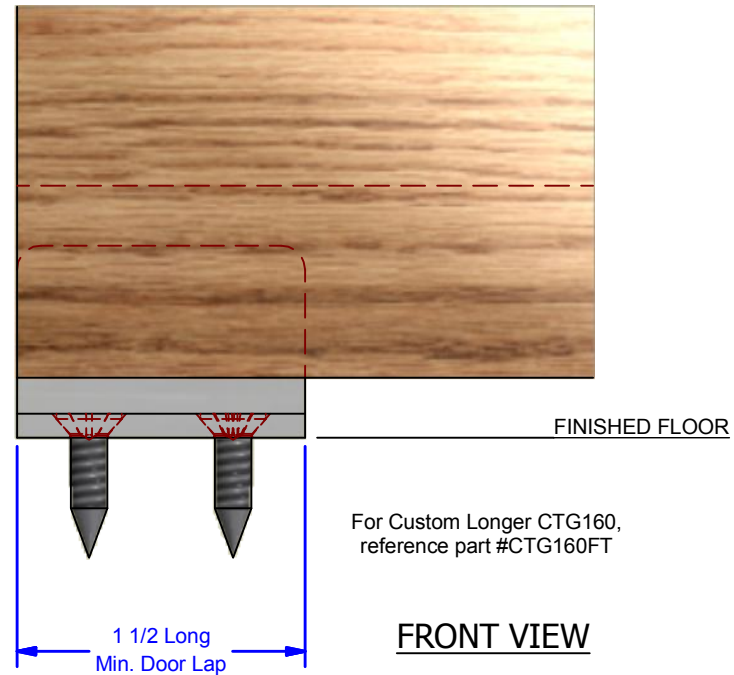
Trailing Edge of Door In Full Closed Position



**PLAN VIEW**



**END VIEW**



**FRONT VIEW**

**ALL DIMENSIONS IN INCHES**

THE INFORMATION CONTAINED IN THIS DRAWING IS THE SOLE PROPERTY OF CROWN INDUSTRIAL. ANY REPRODUCTION IN PART OR AS A WHOLE WITHOUT THE WRITTEN PERMISSION OF CROWN INDUSTRIAL IS PROHIBITED.

DESCRIPTION:

Concealed T-Guide

FINISH:

Clear Ano. Alum. MILL FINISH

PART #: 0000338

MATERIAL:

STOCK #: CTG160

# PCS:	1
REV:	



**CROWN INDUSTRIAL**

So. San Francisco, Ca  
(650) 952-5150

www.crown-industrial.com