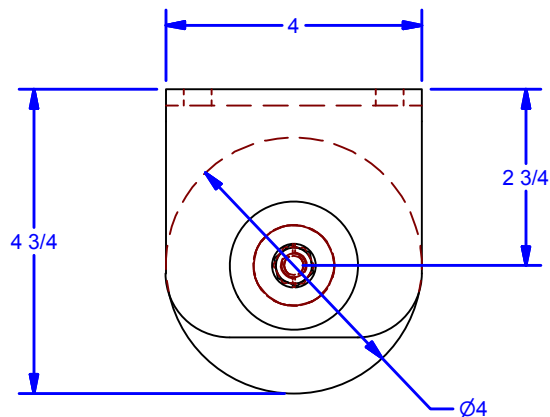


4

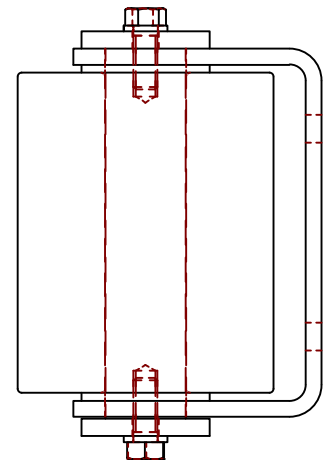
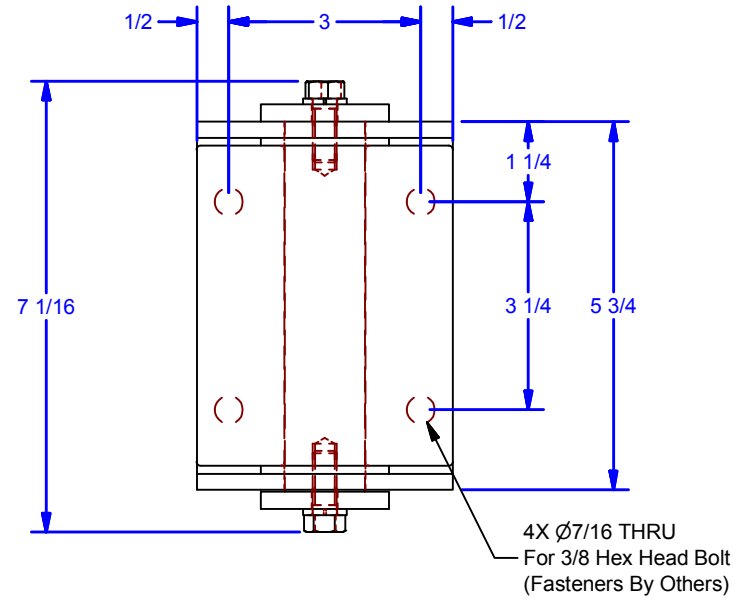
3

2

1



Top View



Side View

ALL DIMENSIONS IN INCHES

THE INFORMATION CONTAINED IN THIS DRAWING IS THE SOLE PROPERTY OF CROWN INDUSTRIAL. ANY REPRODUCTION IN PART OR AS A WHOLE WITHOUT THE WRITTEN PERMISSION OF CROWN INDUSTRIAL IS PROHIBITED.

PART #:	0002498
MATERIAL:	

STOCK #:	DGR-4-2S
----------	----------

DESCRIPTION:
Top Guide Roller Assembly, Straight

FINISH:	Clear Zinc
---------	------------

# PCS:	1
REV:	

DWG #: DGR-4-2
 DRAWN:BCM 6/16/2017
 SHEET #3
 File: 0001504.idw

CROWN INDUSTRIAL
 So. San Francisco, Ca
 (650) 952-5150
 www.crown-industrial.com

4

3

2

1

D

D

C

C

B

B

A

A

4

3

2

1

D

D

C

C

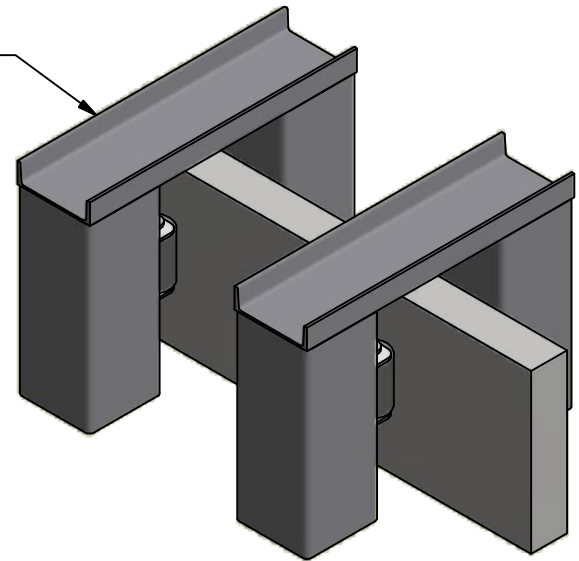
B

B

A

A

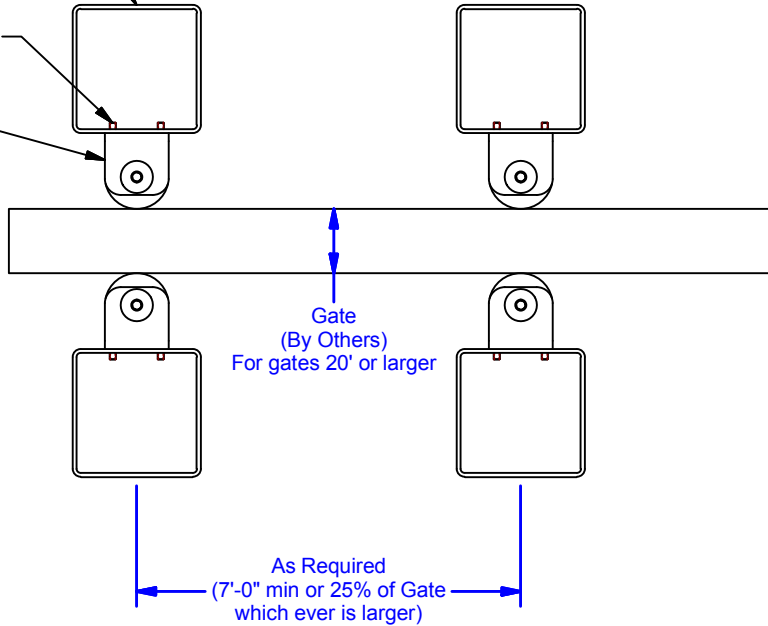
Top Bracing, By Others



Support Column (By Others)

(4 ea.) 3/8" Fasteners (By Others)

#DGR-4-2S
Straight Guide Roller, Zinc



Gate
(By Others)
For gates 20' or larger

As Required
(7'-0" min or 25% of Gate
which ever is larger)

ALL DIMENSIONS IN INCHES

THE INFORMATION CONTAINED IN THIS DRAWING IS THE SOLE PROPERTY OF CROWN INDUSTRIAL. ANY REPRODUCTION IN PART OR AS A WHOLE WITHOUT THE WRITTEN PERMISSION OF CROWN INDUSTRIAL IS PROHIBITED.

PART #: 0002500	STOCK #:
MATERIAL:	

DESCRIPTION:
DGR-4-2S Straight Top Guide Roller Application

FINISH:	# PCS: 1	REV:
---------	-------------	------



CROWN INDUSTRIAL
So. San Francisco, Ca
(650) 952-5150
www.crown-industrial.com

DWG #: DGR-4-2
DRAWN:BCM 6/15/2017
SHEET #4
File: 0001504.idw

4

3

2

1

A

A