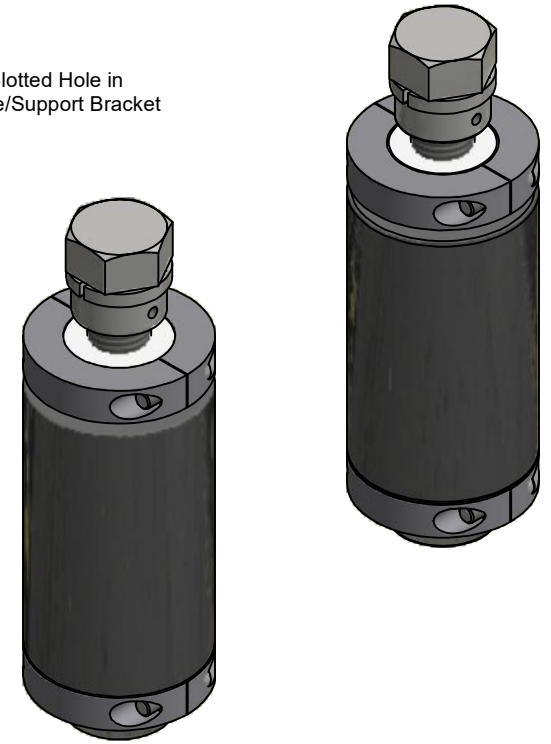
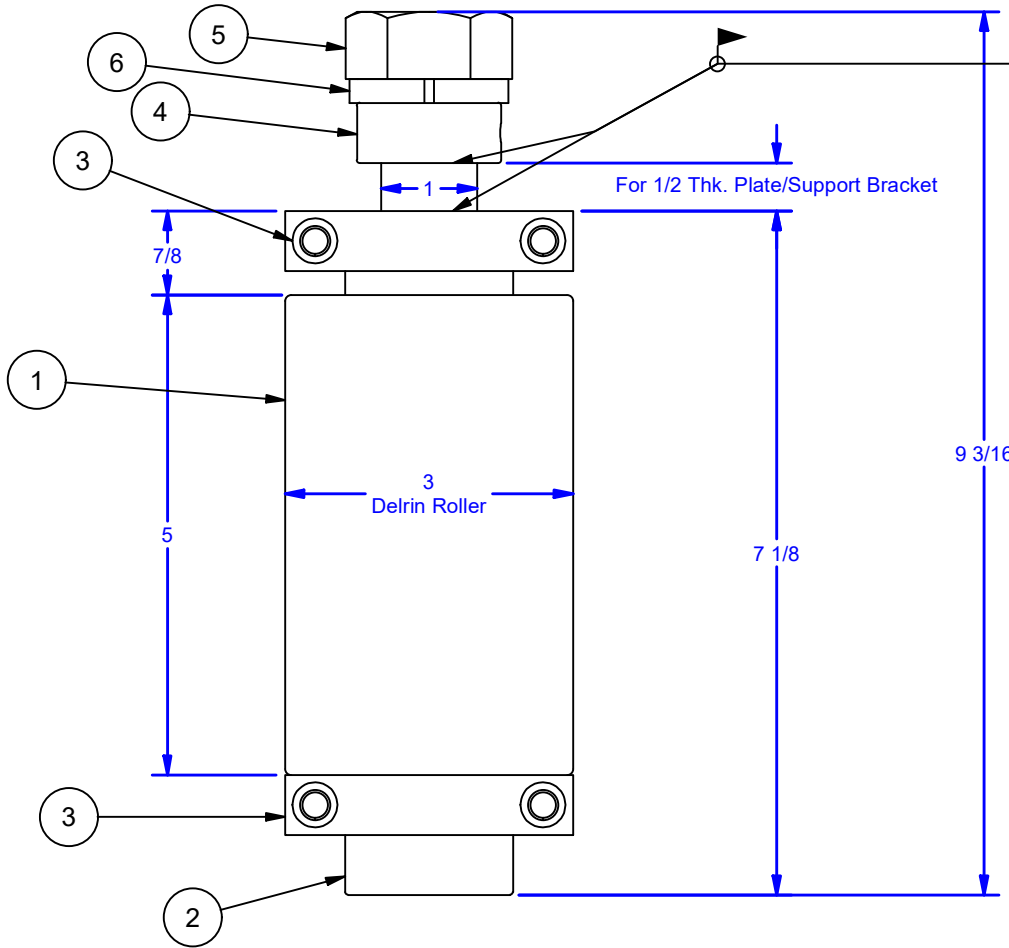


Parts List			
ITEM	QTY	PART #	DESCRIPTION
1	1	0000722	Delrin Guide Roller
2	1	0000721	Roller Guide Axle
3	2	0001023	(2PC) Clamping Collar, 1-3/4" I.D., zinc w/ s.s. fasteners
4	1	0001024	Set Screw Collar 1", zinc w/ black oxide set screw
5	1	HHMB 1-8 UNC - 2.5 -5 Zinc	Hex Head Machine Bolt -Grade 5, Zinc
6	1	1 LW Zinc	Lock Washer, Zinc



(2 ea.) Roller Assemblies as shown
 One roller assembly on either side to guide top of gate or door.
 Contact Crown Industrial Sales for Pricing on Custom Plate/Support Bracket for your application
autodor@crow-industrial.com

DWG #: 0000718
 DRAWN:BCM 12/4/2009
 SHEET #1
 File: 0000718.idw

ALL DIMENSIONS IN INCHES			
THE INFORMATION CONTAINED IN THIS DRAWING IS THE SOLE PROPERTY OF CROWN INDUSTRIAL. ANY REPRODUCTION IN PART OR AS A WHOLE WITHOUT THE WRITTEN PERMISSION OF CROWN INDUSTRIAL IS PROHIBITED.		PART #: 0000720	STOCK #: DGR-4
DESCRIPTION: Top Guide Assembly (2 rollers, no Bracket)			
FINISH:		# PCS: 2	REV: A

CROWN INDUSTRIAL
 So. San Francisco, Ca
 (650) 952-5150
www.crown-industrial.com

4

3

2

1

D

D

C

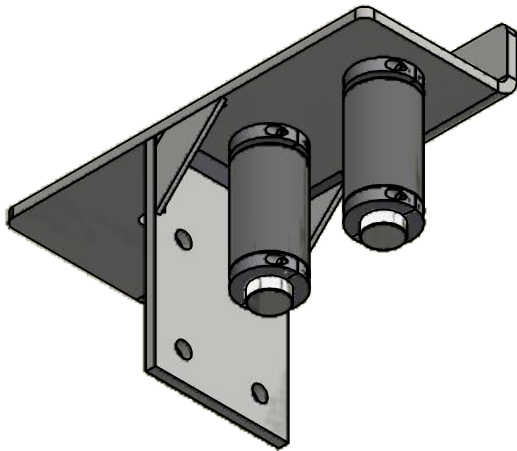
C

B

B

A

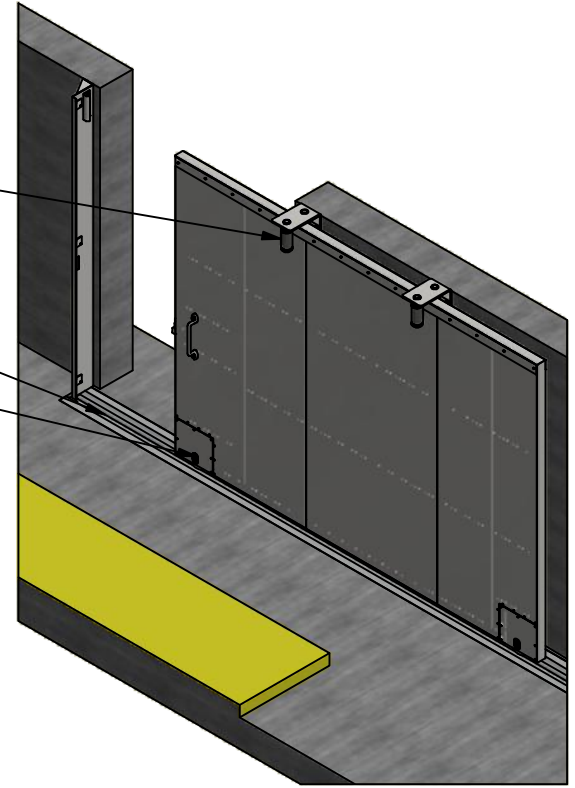
A



#DGR-4
Top Guide Roller Assembly

#CRR20
Bottom Roller Rail, Prime Ptd.

#CR6-BR
6" Bottom Roller (7,000lb Cap), for 20# Rail



Application Example

Support Bracket
(Design Based on Application)

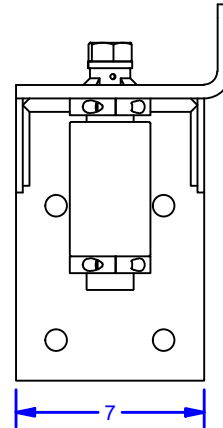
#DGR-4
Top Guide Roller Assembly

Top of Wall

5 7/8

Mounting Face of Wall

Gate/Door Thickness



7

Space on 48" Centers

ALL DIMENSIONS IN INCHES

THE INFORMATION CONTAINED IN THIS DRAWING IS THE SOLE PROPERTY OF CROWN INDUSTRIAL. ANY REPRODUCTION IN PART OR AS A WHOLE WITHOUT THE WRITTEN PERMISSION OF CROWN INDUSTRIAL IS PROHIBITED.

PART #: 0002490
STOCK #:
MATERIAL: Welded Steel Mild

DESCRIPTION:
DGR-4 w/ Support Assembly for CMU Wall (Reference Only)

FINISH:	# PCS: 1	REV:
---------	----------	------



CROWN INDUSTRIAL

So. San Francisco, Ca
(650) 952-5150

www.crown-industrial.com

DWG #: 0000718
DRAWN:BCM 11/19/2012
SHEET #2

File: 0000718.idw

4

3

2

1

