



DPS-1

Door Position Switch-Interlock Switch-Ball Detent

Ball switch compatible with swinging or sliding doors.
Can act as an interlock switch for pass-thru doors.

SPECIFICATIONS

Contact: SPDT Dry, 4 Amps @ 30VDC

Faceplate Dimensions: 2.75" H x 1.25" W x 0.125" D

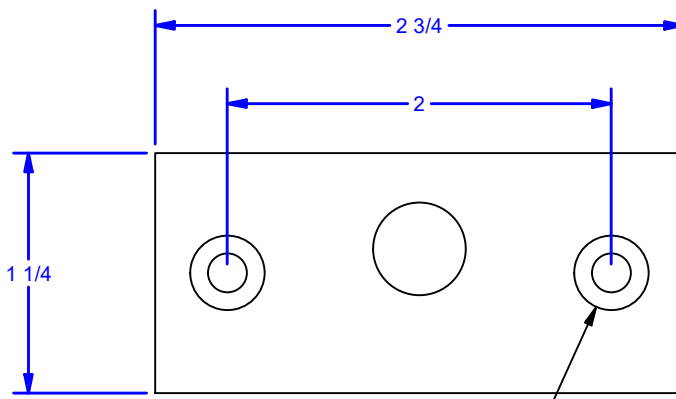
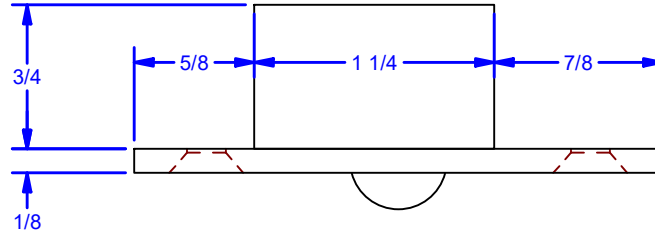
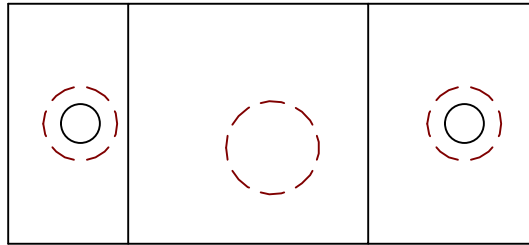
Faceplate Finish: 628 Satin Aluminum

Weight: 1.0 lbs

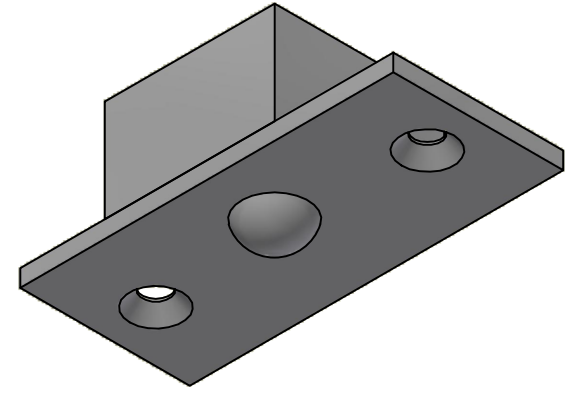
Features: Electromechanical Ball with Adjustable Switch

Includes 916 Mhz Transmitter.





For #10 Flat Head Screw (By Others)



ALL DIMENSIONS IN INCHES

THE INFORMATION CONTAINED IN THIS DRAWING IS THE SOLE PROPERTY OF CROWN INDUSTRIAL. ANY REPRODUCTION IN PART OR AS A WHOLE WITHOUT THE WRITTEN PERMISSION OF CROWN INDUSTRIAL IS PROHIBITED.	ID #:	90000185	STOCK PART #:	DPS-1
	MATERIAL:	Steel, Mild		
DESCRIPTION: Pass Thru Door Position Switch: Ball Detent				
FINISH:	628 Satin Aluminum		# PCS:	REV:



CROWN INDUSTRIAL
So. San Francisco, Ca
(650) 952-5150
www.crown-industrial.com

DWG #: 0003117
DRAWN: BCM 4/28/2021
SHEET #1
File: 0003117.idw