

4

3

2

1

D

D

C

C

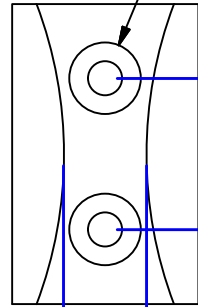
B

B

A

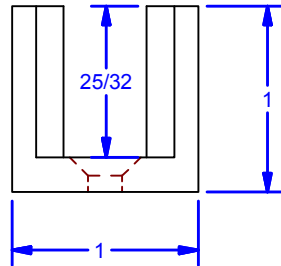
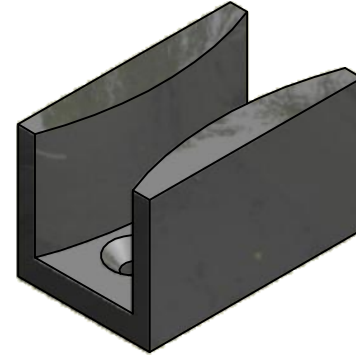
A

2X Countersunk Hole for
M4 Flat Head Fastener
or #8 Flat Head Fastener



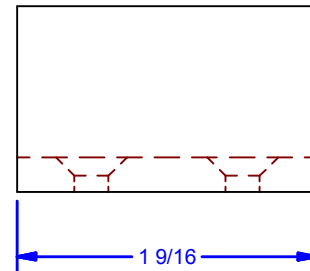
.433 [11.000 mm]
For 3/8" Thick
or 10 mm Glass

.787 [20.000 mm]



25/32

1



1 9/16

ALL DIMENSIONS IN INCHES

| | | | | |
|--|-----------|-------------|---------------|-------|
| THE INFORMATION CONTAINED IN THIS DRAWING IS THE SOLE PROPERTY OF CROWN INDUSTRIAL. ANY REPRODUCTION IN PART OR AS A WHOLE WITHOUT THE WRITTEN PERMISSION OF CROWN INDUSTRIAL IS PROHIBITED. | ID #: | 0000788 | STOCK PART #: | GG3/8 |
| | MATERIAL: | UHMW, Black | | |
| DESCRIPTION: U Guide 3/8" Thick Glass Guide | | | | |
| FINISH: | # PCS: | 1 | REV: | |



CROWN INDUSTRIAL

So. San Francisco, Ca
(650) 952-5150

www.crown-industrial.com

DWG #: 0000787
DRAWN:BCM 4/23/2007
SHEET #1

File: 0000787.idw

4

3

2

1



4

3

2

1

D

D

C

C

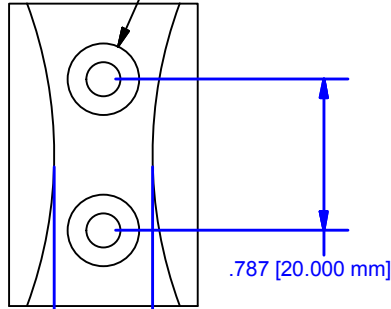
B

B

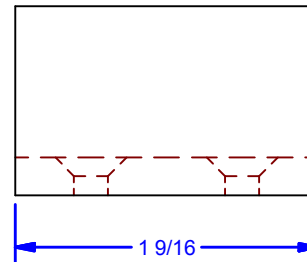
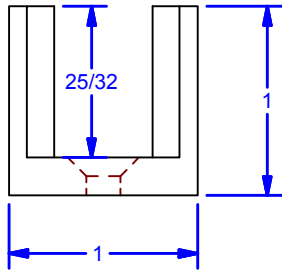
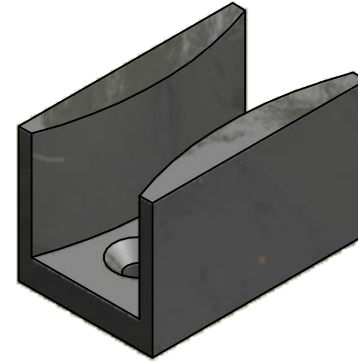
A

A

2X Countersunk Hole for
M4 Flat Head Fastener
or #8 Flat Head Fastener



.512 [13.000 mm]
For 1/2" Thick
or 12 mm Glass



ALL DIMENSIONS IN INCHES

| | | |
|--|--------------------------|------------------------|
| THE INFORMATION CONTAINED IN THIS DRAWING IS THE SOLE PROPERTY OF CROWN INDUSTRIAL. ANY REPRODUCTION IN PART OR AS A WHOLE WITHOUT THE WRITTEN PERMISSION OF CROWN INDUSTRIAL IS PROHIBITED. | ID #: 0000789 | STOCK PART #: GG1/2 |
| | MATERIAL: UHMW, Black | |
| DESCRIPTION: U Guide 1/2" Thick Glass Guide | | |
| FINISH: | # PCS: 1 | REV: |



CROWN INDUSTRIAL

So. San Francisco, Ca
(650) 952-5150

www.crown-industrial.com

DWG #: 0000787
DRAWN:BCM 4/23/2007
SHEET #2

File: 0000787.idw

4

3

2

1



4

3

2

1

D

D

C

C

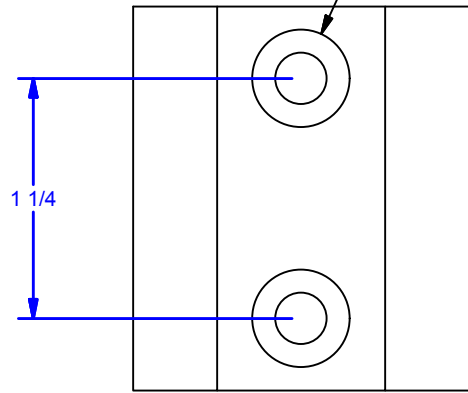
B

B

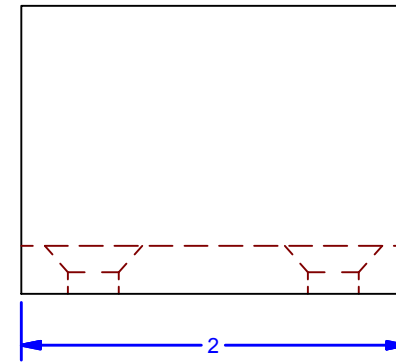
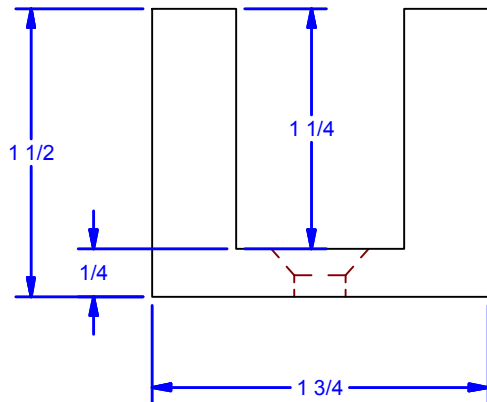
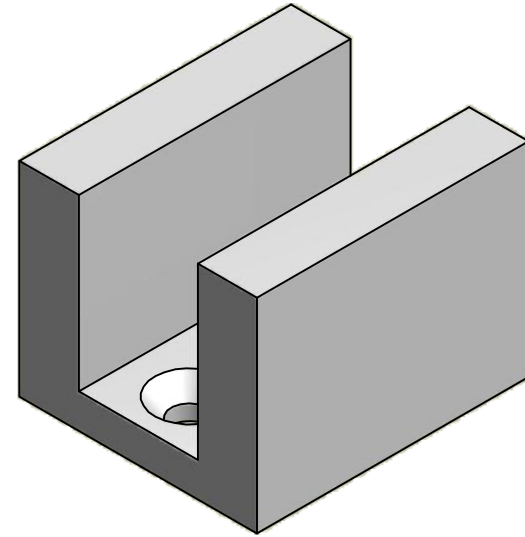
A

A

2X Countersunk Holes
For 1/4 Flat Head Fasteners (by others)



For 3/4" Thick Glass



3/8" MIN. CLEARANCE FROM FINISHED FLOOR
(BOTTOM OF GUIDE)
TO BOTTOM OF DOOR

ALL DIMENSIONS IN INCHES

| | | |
|--|----------------------------------|------------------------|
| THE INFORMATION CONTAINED IN THIS DRAWING IS THE SOLE PROPERTY OF CROWN INDUSTRIAL. ANY REPRODUCTION IN PART OR AS A WHOLE WITHOUT THE WRITTEN PERMISSION OF CROWN INDUSTRIAL IS PROHIBITED. | ID #: 0001937 | STOCK PART #: GG3/4 |
| | MATERIAL: Acetal Resin, White | |
| DESCRIPTION: U Guide 3/4" Thick Glass Guide | | |
| FINISH: | # PCS: 1 | REV: |



CROWN INDUSTRIAL

So. San Francisco, Ca
(650) 952-5150

www.crown-industrial.com

DWG #: 0000787
DRAWN:BCM 2/23/2011
SHEET #3

File: 0000787.idw

4

3

2

1



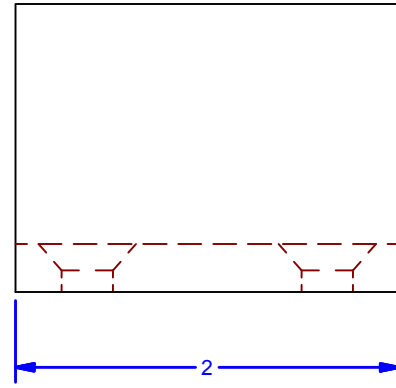
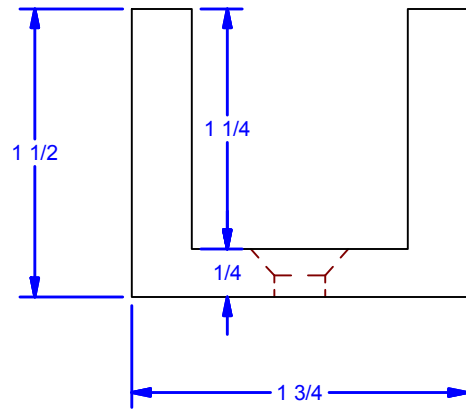
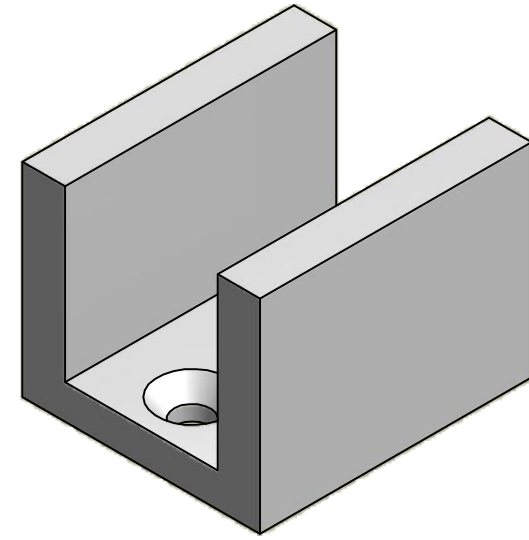
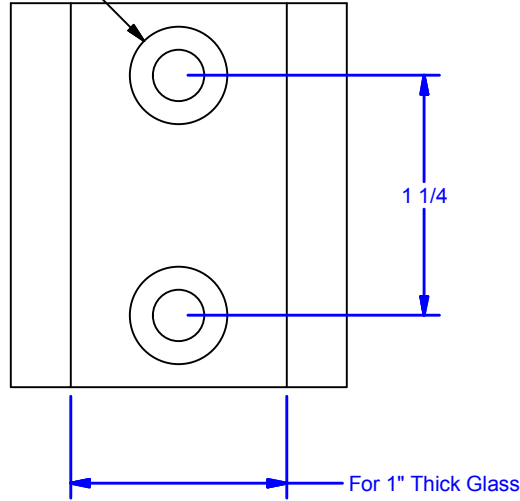
4

3

2

1

2X Countersunk Hole for 1/4 Flat Head Fastener (By Others)



3/8" MIN. CLEARANCE FROM FINISHED FLOOR (BOTTOM OF GUIDE) TO BOTTOM OF DOOR

ALL DIMENSIONS IN INCHES

| | | | | |
|--|---------------------|------------------------------|---------------|-----|
| THE INFORMATION CONTAINED IN THIS DRAWING IS THE SOLE PROPERTY OF CROWN INDUSTRIAL. ANY REPRODUCTION IN PART OR AS A WHOLE WITHOUT THE WRITTEN PERMISSION OF CROWN INDUSTRIAL IS PROHIBITED. | ID #: | 0001000 | STOCK PART #: | GG1 |
| | DESCRIPTION: | U Guide 1" Thick Glass Guide | | |
| MATERIAL: | Acetal Resin, White | | | |
| FINISH: | # PCS: | 1 | REV: | |



CROWN INDUSTRIAL
 So. San Francisco, Ca
 (650) 952-5150
www.crown-industrial.com

DWG #: 0000787
 DRAWN:BCM 2/23/2011
 SHEET #4
 File: 0000787.idw

4

3

2

1

D

D

C

C

B

B

A

A