

**Available Finishes:**

- 1018 CRS, Prime Ptd. [Standard]
- 1018 CRS, Clear Zinc Plated
- 304 Stainless Steel

**ALL DIMENSIONS IN INCHES**

THE INFORMATION CONTAINED IN THIS DRAWING IS THE SOLE PROPERTY OF CROWN INDUSTRIAL. ANY REPRODUCTION IN PART OR AS A WHOLE WITHOUT THE WRITTEN PERMISSION OF CROWN INDUSTRIAL IS PROHIBITED.	ID #:	0003113-01	STOCK PART #:	HDCP1
	MATERIAL:			
DESCRIPTION: Heavy Duty Center Pivot: Horizontal Cap -400, Vertical Cap - 1,000				
FINISH:	# PCS:	REV:		



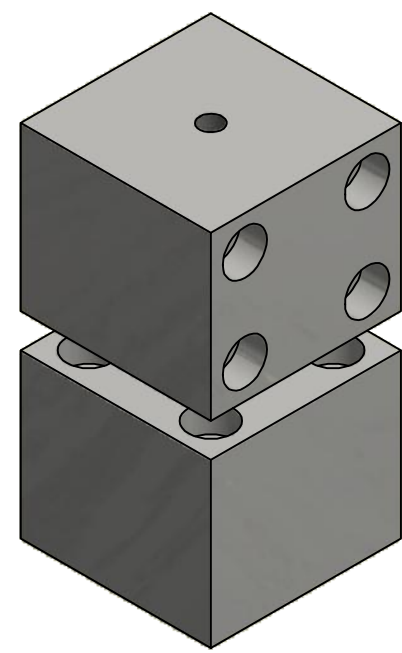
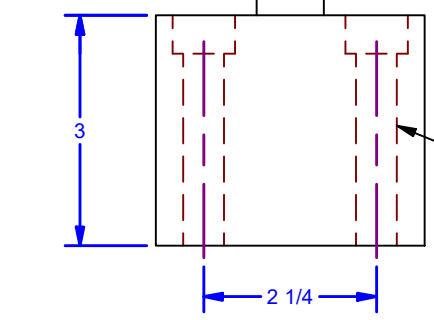
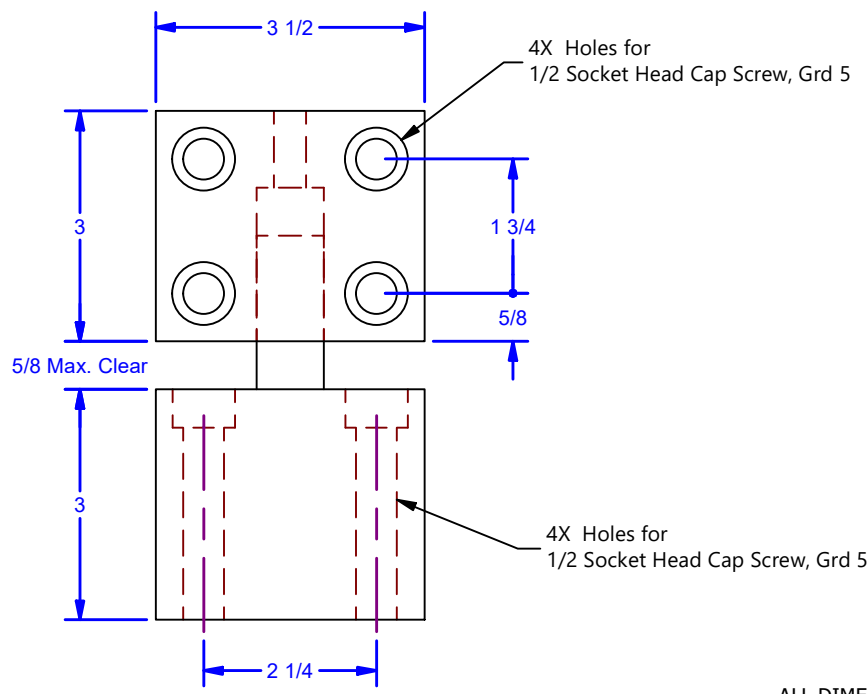
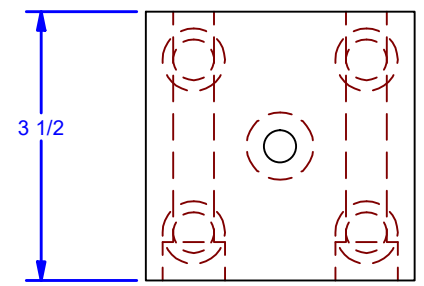
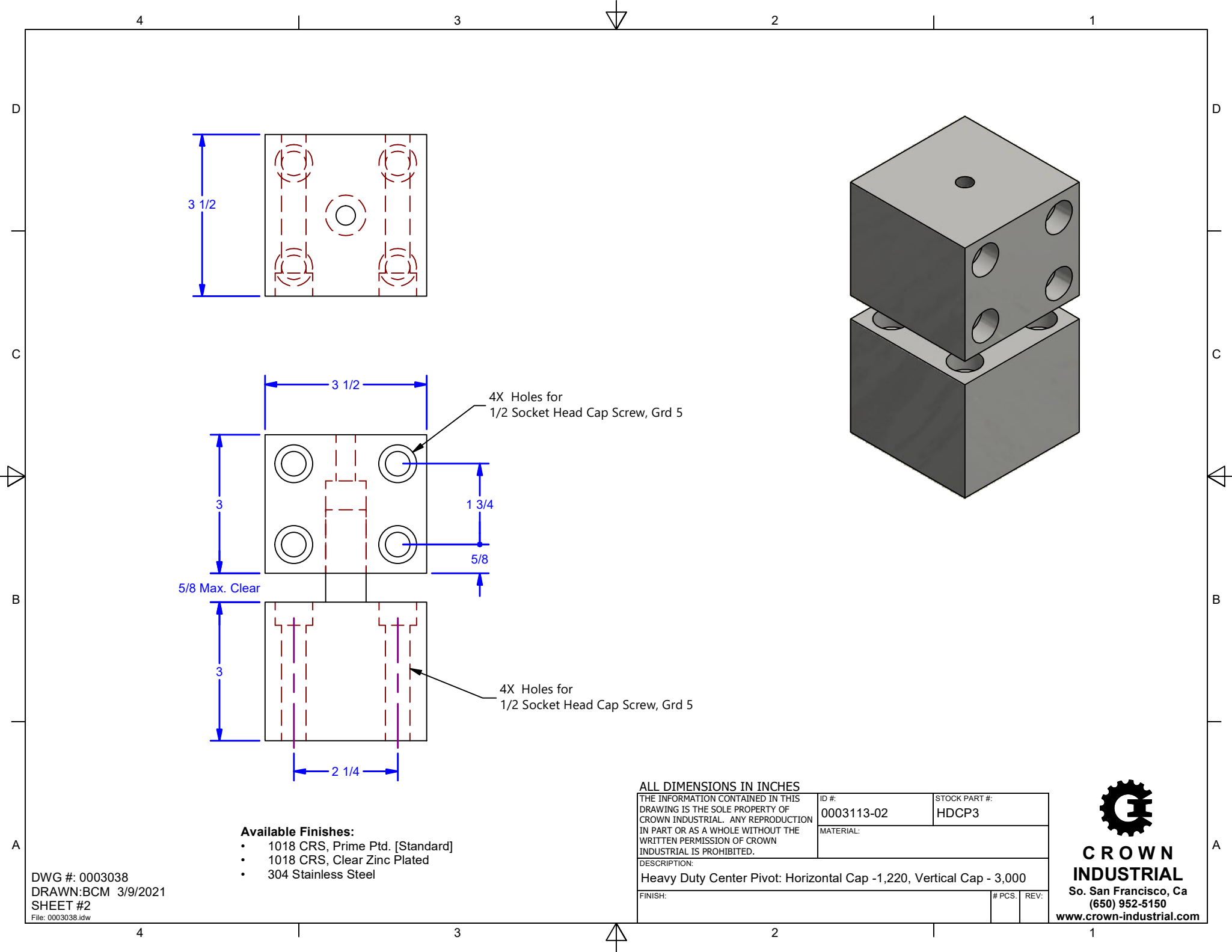
**CROWN INDUSTRIAL**

So. San Francisco, Ca  
(650) 952-5150

[www.crown-industrial.com](http://www.crown-industrial.com)

DWG #: 0003038  
DRAWN:BCM 3/9/2021  
SHEET #1

File: 0003038.idw



- Available Finishes:**
- 1018 CRS, Prime Ptd. [Standard]
  - 1018 CRS, Clear Zinc Plated
  - 304 Stainless Steel

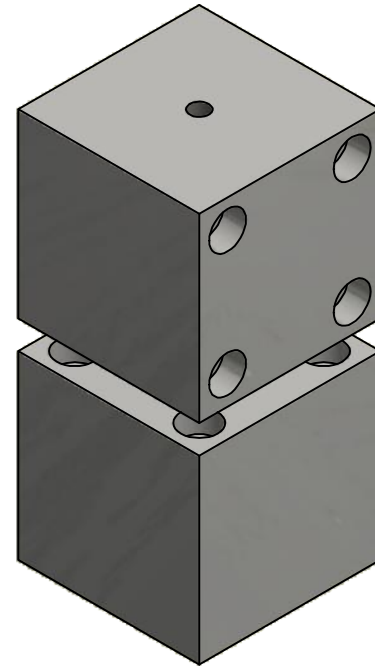
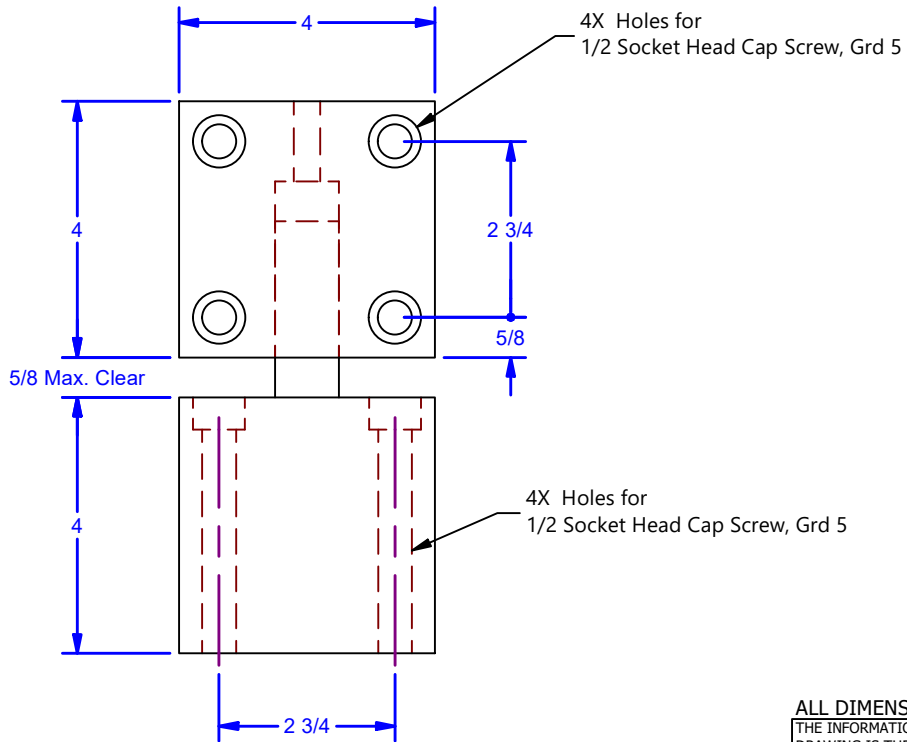
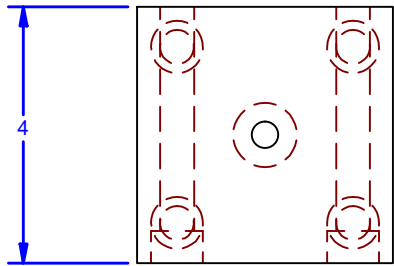
DWG #: 0003038  
 DRAWN:BCM 3/9/2021  
 SHEET #2  
 File: 0003038.idw

**ALL DIMENSIONS IN INCHES**

THE INFORMATION CONTAINED IN THIS DRAWING IS THE SOLE PROPERTY OF CROWN INDUSTRIAL. ANY REPRODUCTION IN PART OR AS A WHOLE WITHOUT THE WRITTEN PERMISSION OF CROWN INDUSTRIAL IS PROHIBITED.	ID #:	0003113-02	STOCK PART #:	HDCP3
	MATERIAL:			
DESCRIPTION: Heavy Duty Center Pivot: Horizontal Cap -1,220, Vertical Cap - 3,000				
FINISH:		# PCS:	REV:	



**CROWN INDUSTRIAL**  
 So. San Francisco, Ca  
 (650) 952-5150  
 www.crown-industrial.com



- Available Finishes:**
- 1018 CRS, Prime Ptd. [Standard]
  - 1018 CRS, Clear Zinc Plated
  - 304 Stainless Steel

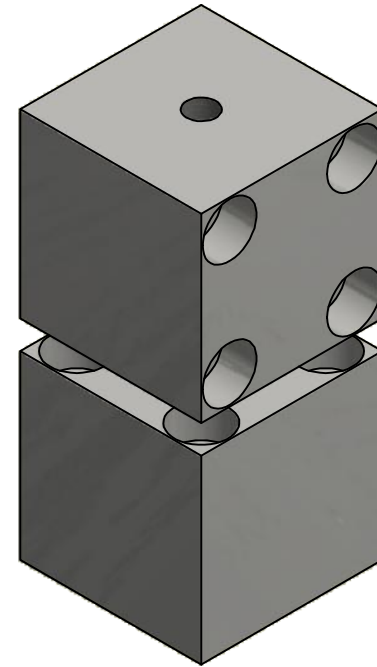
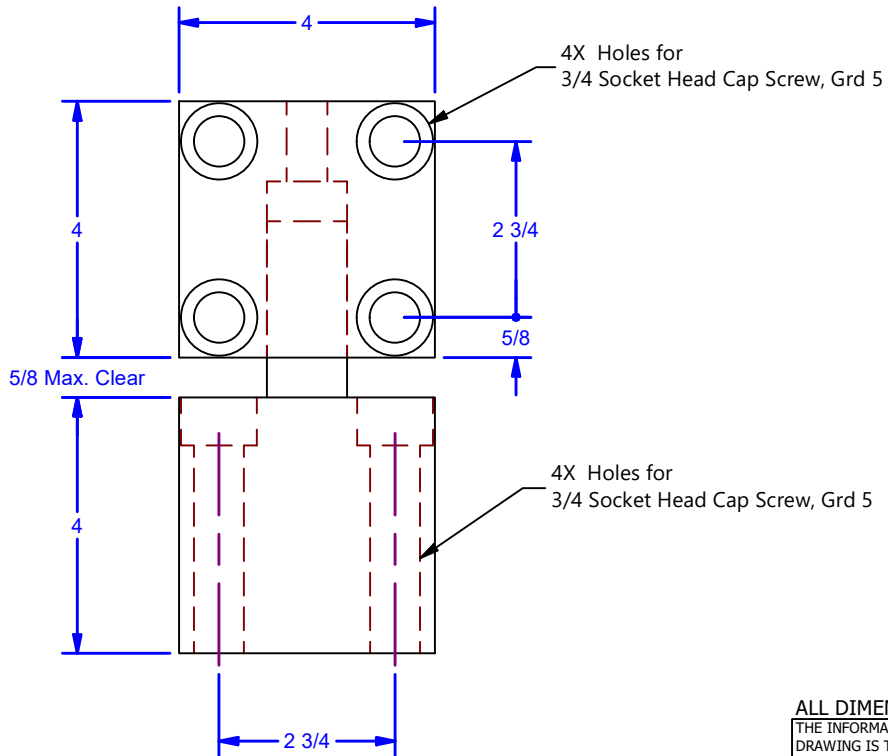
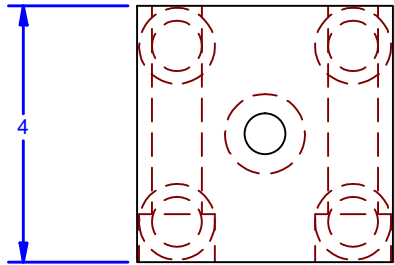
DWG #: 0003038  
 DRAWN:BCM 3/9/2021  
 SHEET #3  
 File: 0003038.idw

**ALL DIMENSIONS IN INCHES**

THE INFORMATION CONTAINED IN THIS DRAWING IS THE SOLE PROPERTY OF CROWN INDUSTRIAL. ANY REPRODUCTION IN PART OR AS A WHOLE WITHOUT THE WRITTEN PERMISSION OF CROWN INDUSTRIAL IS PROHIBITED.	ID #:	0003113-03	STOCK PART #:	HD4CP4
	MATERIAL:			
DESCRIPTION: Heavy Duty Center Pivot: Horizontal Cap -1,630, Vertical Cap - 4,000				
FINISH:			# PCS:	REV:



**CROWN INDUSTRIAL**  
 So. San Francisco, Ca  
 (650) 952-5150  
 www.crown-industrial.com



- Available Finishes:**
- 1018 CRS, Prime Ptd. [Standard]
  - 1018 CRS, Clear Zinc Plated
  - 304 Stainless Steel

**ALL DIMENSIONS IN INCHES**

THE INFORMATION CONTAINED IN THIS DRAWING IS THE SOLE PROPERTY OF CROWN INDUSTRIAL. ANY REPRODUCTION IN PART OR AS A WHOLE WITHOUT THE WRITTEN PERMISSION OF CROWN INDUSTRIAL IS PROHIBITED.	ID #:	0003113-04	STOCK PART #:	HDPC8
	MATERIAL:			
DESCRIPTION: Heavy Duty Center Pivot: Horizontal Cap -3,300, Vertical Cap - 8,000				
FINISH:		# PCS:	REV:	



**CROWN INDUSTRIAL**  
 So. San Francisco, Ca  
 (650) 952-5150  
[www.crown-industrial.com](http://www.crown-industrial.com)

4

3

2

1

D

D

C

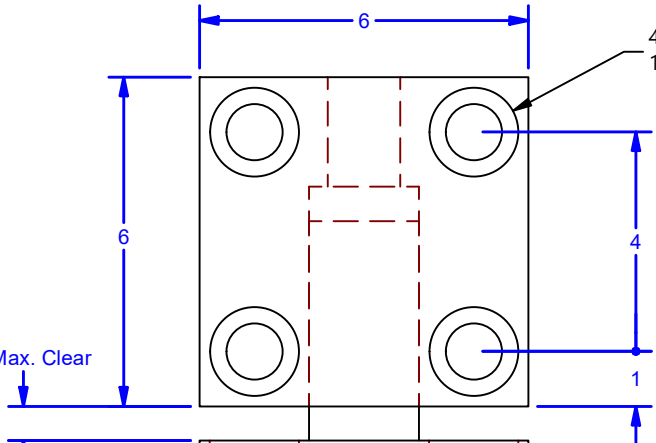
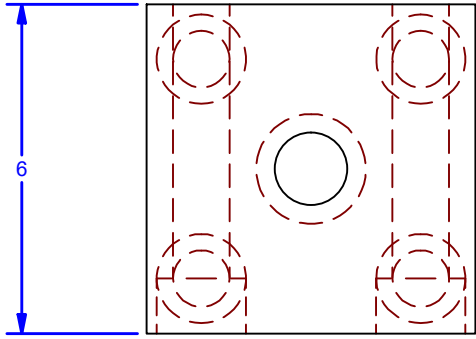
C

B

B

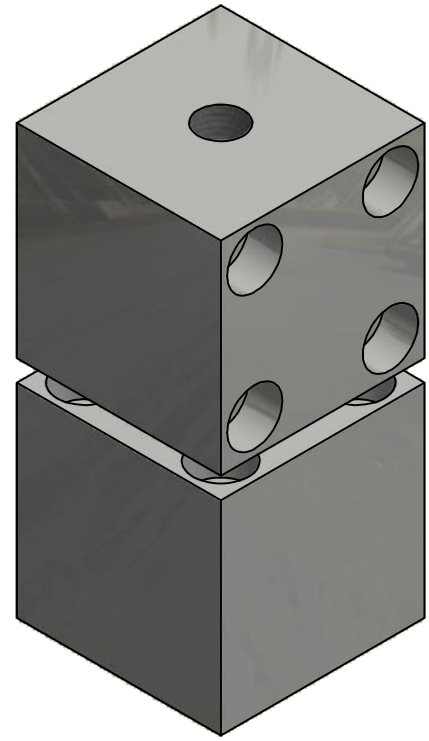
A

A



4X Holes for  
1 Socket Head Cap Screw, Grd 5

4X Holes for  
1 Socket Head Cap Screw, Grd 5



DWG #: 0003038  
DRAWN:BCM 3/9/2021  
SHEET #5  
File: 0003038.idw

- Available Finishes:**
- 1018 CRS, Prime Ptd. [Standard]
  - 1018 CRS, Clear Zinc Plated
  - 304 Stainless Steel

**ALL DIMENSIONS IN INCHES**

THE INFORMATION CONTAINED IN THIS DRAWING IS THE SOLE PROPERTY OF CROWN INDUSTRIAL. ANY REPRODUCTION IN PART OR AS A WHOLE WITHOUT THE WRITTEN PERMISSION OF CROWN INDUSTRIAL IS PROHIBITED.	ID #:	0003113-05	STOCK PART #:	HDCP20
	MATERIAL:			
DESCRIPTION: Heavy Duty Center Pivot: Horizontal Cap -8,800, Vertical Cap - 20,000				
FINISH:		# PCS:	REV:	



**CROWN INDUSTRIAL**  
So. San Francisco, Ca  
(650) 952-5150  
www.crown-industrial.com

4

3

2

1

