

4

3

2

1

D

D

C

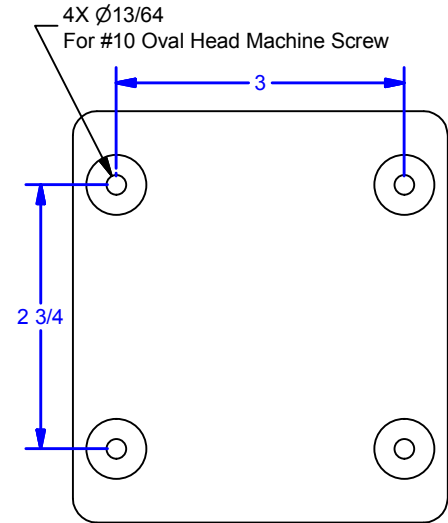
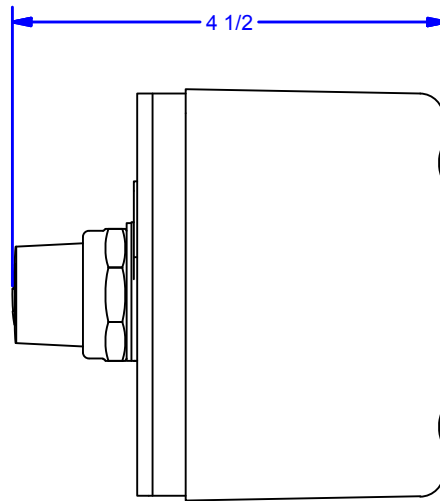
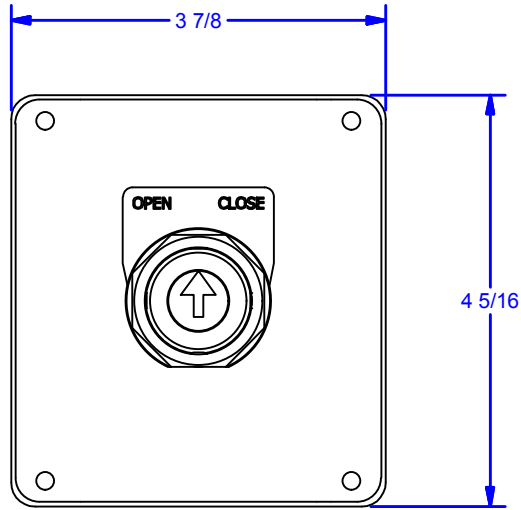
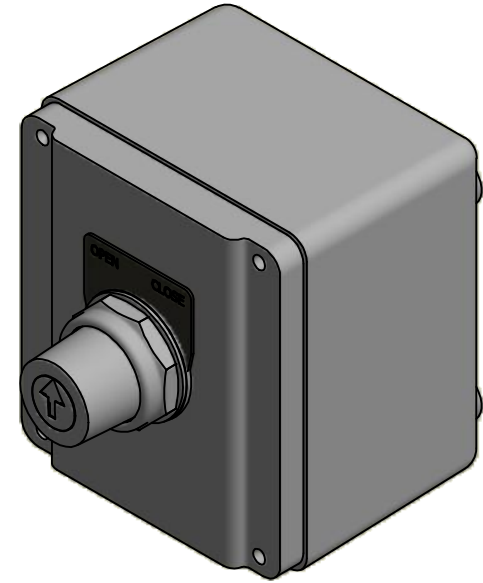
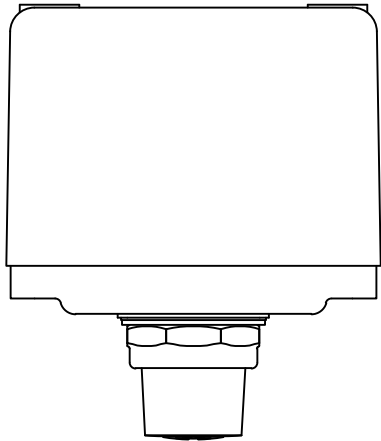
C

B

B

A

A



ALL DIMENSIONS IN INCHES

THE INFORMATION CONTAINED IN THIS DRAWING IS THE SOLE PROPERTY OF CROWN INDUSTRIAL. ANY REPRODUCTION IN PART OR AS A WHOLE WITHOUT THE WRITTEN PERMISSION OF CROWN INDUSTRIAL IS PROHIBITED.	ID #:	90000080	STOCK PART #:	KS-CP
	MATERIAL:			
DESCRIPTION: Constant Pressure Key Switch Assembly				
FINISH:			# PCS:	REV:
			1	



CROWN INDUSTRIAL
 So. San Francisco, Ca
 (650) 952-5150
 www.crown-industrial.com

DWG #: 0002275
 DRAWN:BCM 4/26/2016
 SHEET #1
 File: 0002275.idw

4

3

2

1

