

4

3

2

1

D

D

(4 ea.) For #10 Screws

4 3/16

3 1/8

4 1/2

C

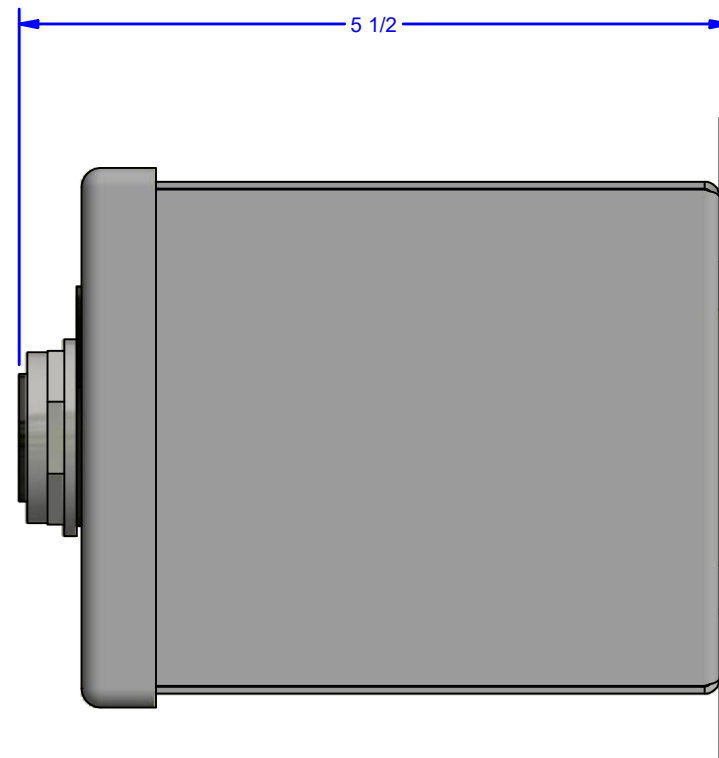
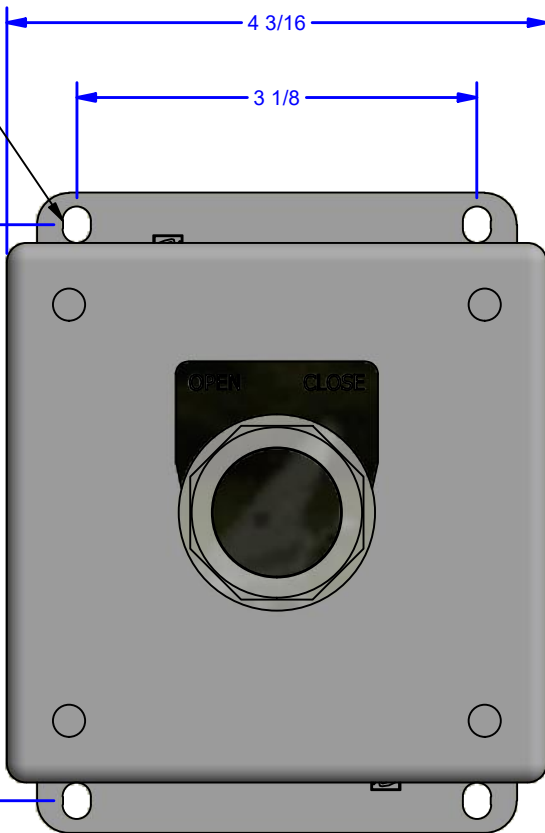
C

B

B

A

A



ALL DIMENSIONS IN INCHES

THE INFORMATION CONTAINED IN THIS DRAWING IS THE SOLE PROPERTY OF CROWN INDUSTRIAL. ANY REPRODUCTION IN PART OR AS A WHOLE WITHOUT THE WRITTEN PERMISSION OF CROWN INDUSTRIAL IS PROHIBITED.	ID #:	STOCK PART #:
	0002320	MP-1PBS
DESCRIPTION:	MATERIAL:	
Momentary Press Open/Close Single Button Station Nema 12	# PCS:	REV:
FINISH:		



**CROWN INDUSTRIAL**

So. San Francisco, Ca  
(650) 952-5150

[www.crown-industrial.com](http://www.crown-industrial.com)

DWG #: 0002283  
DRAWN:BCM 8/17/2016  
SHEET #13

File: 0002283.idw

4

3

2

1

