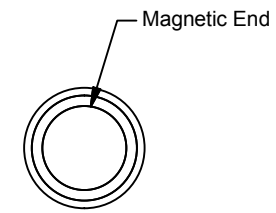


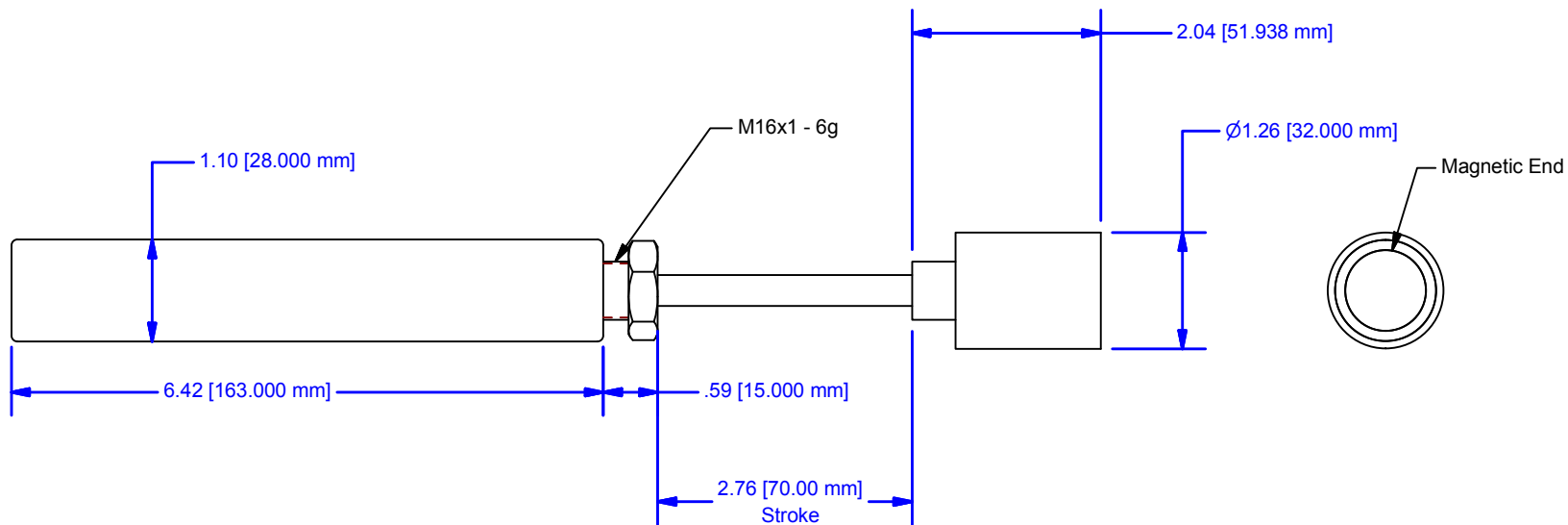
ALL DIMENSIONS IN INCHES

THE INFORMATION CONTAINED IN THIS DRAWING IS THE SOLE PROPERTY OF CROWN INDUSTRIAL. ANY REPRODUCTION IN PART OR AS A WHOLE WITHOUT THE WRITTEN PERMISSION OF CROWN INDUSTRIAL IS PROHIBITED.	ID #:	0002150-01	STOCK PART #:	PD2.00
	MATERIAL:			
DESCRIPTION: Piston Damper x 1.97" [50mm]				
FINISH:	Clear Zinc	# PCS:	1	REV:



DWG #: 0002149
 DRAWN: BCM 12/1/2015
 SHEET #1
 File: 0002149.idw

CROWN INDUSTRIAL
 So. San Francisco, Ca
 (650) 952-5150
 www.crown-industrial.com



ALL DIMENSIONS IN INCHES

THE INFORMATION CONTAINED IN THIS DRAWING IS THE SOLE PROPERTY OF CROWN INDUSTRIAL. ANY REPRODUCTION IN PART OR AS A WHOLE WITHOUT THE WRITTEN PERMISSION OF CROWN INDUSTRIAL IS PROHIBITED.	ID #:	0002150-02	STOCK PART #:	PD2.75
	MATERIAL:			
DESCRIPTION:				
Piston Damper x 2.76" [70mm]				
FINISH:			# PCS:	REV:
Clear Zinc			1	



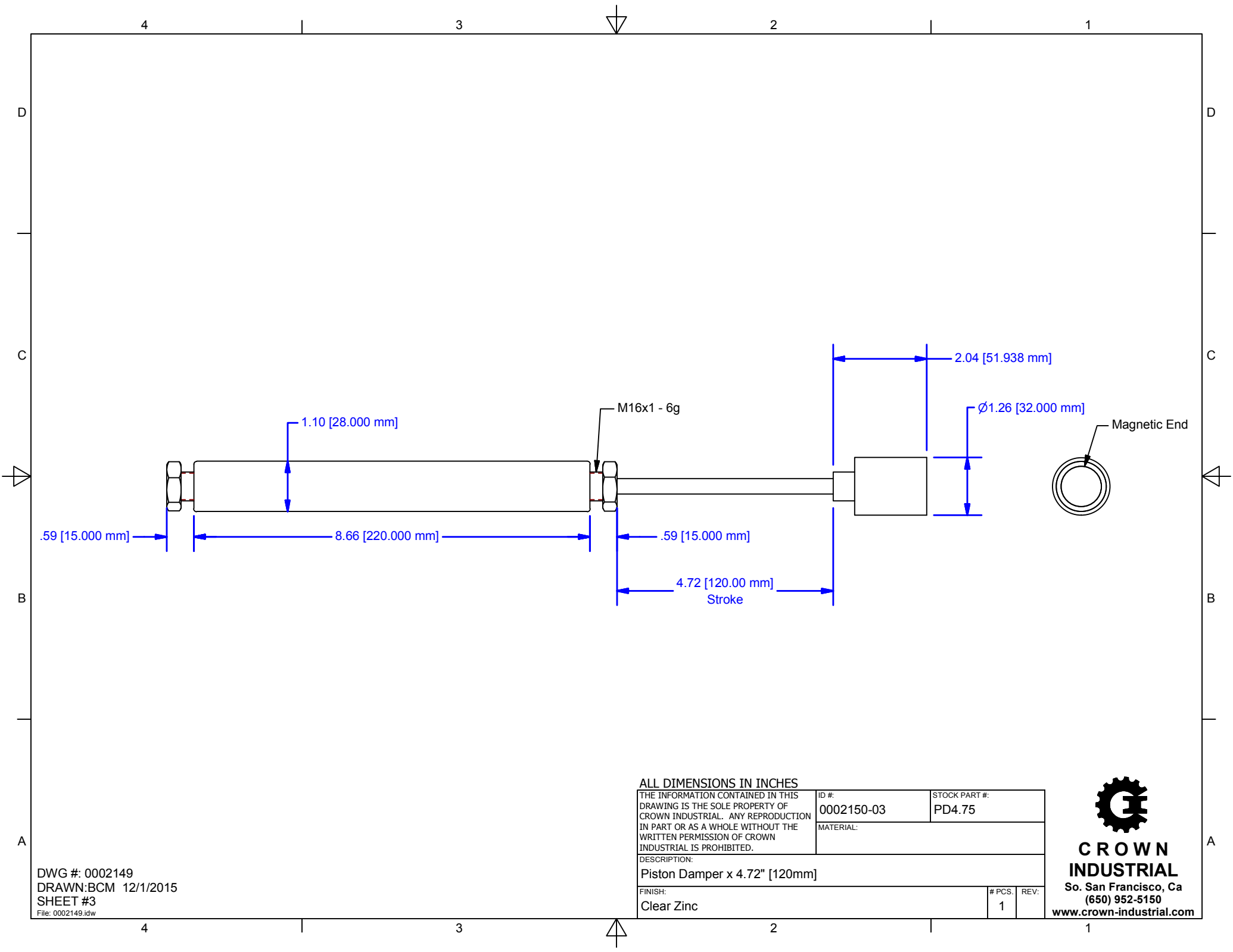
CROWN INDUSTRIAL

So. San Francisco, Ca
(650) 952-5150

www.crown-industrial.com

DWG #: 0002149
DRAWN:BCM 12/1/2015
SHEET #2

File: 0002149.idw



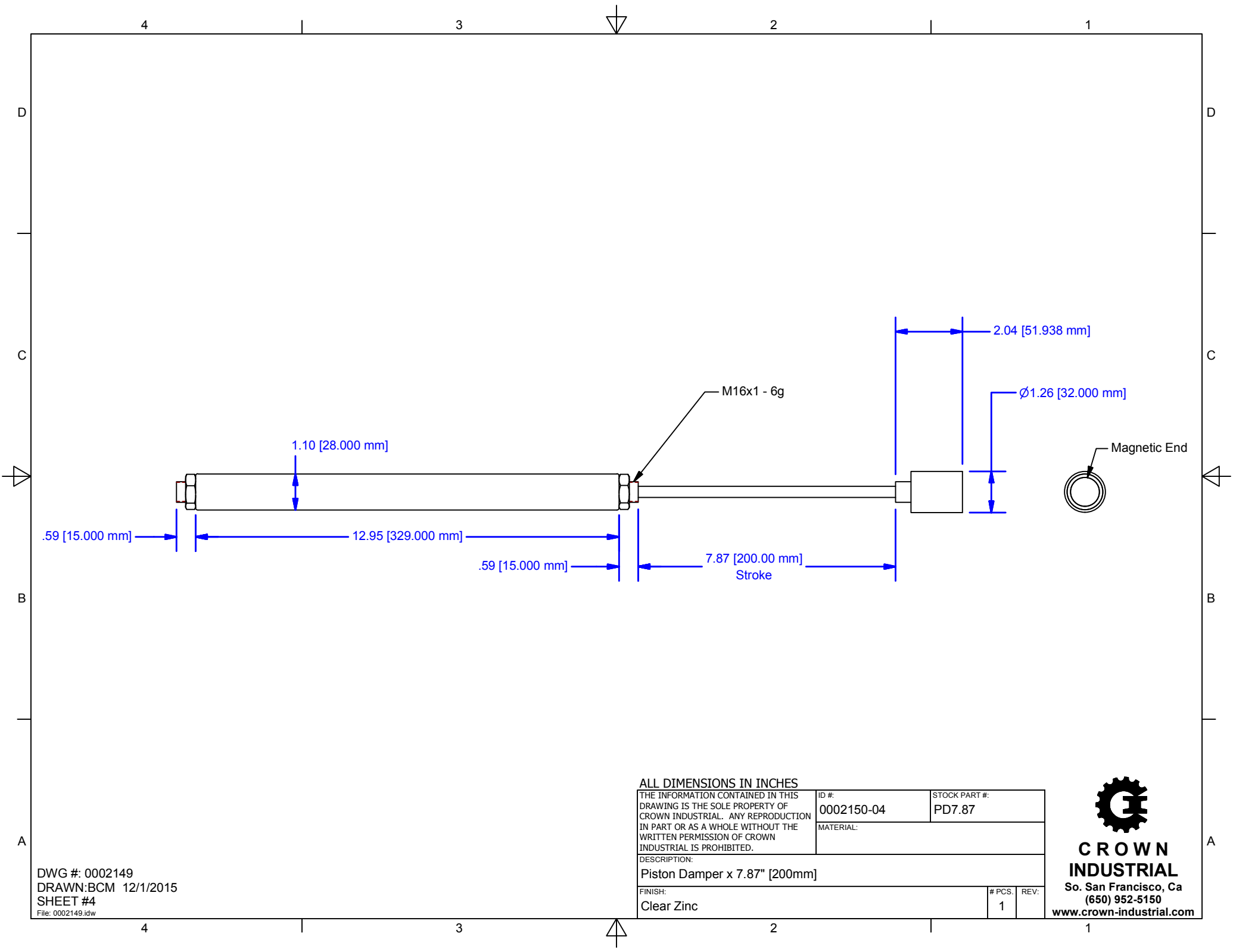
DWG #: 0002149
 DRAWN: BCM 12/1/2015
 SHEET #3
 File: 0002149.idw

ALL DIMENSIONS IN INCHES

THE INFORMATION CONTAINED IN THIS DRAWING IS THE SOLE PROPERTY OF CROWN INDUSTRIAL. ANY REPRODUCTION IN PART OR AS A WHOLE WITHOUT THE WRITTEN PERMISSION OF CROWN INDUSTRIAL IS PROHIBITED.	ID #:	0002150-03	STOCK PART #:	PD4.75
	MATERIAL:			
DESCRIPTION: Piston Damper x 4.72" [120mm]				
FINISH: Clear Zinc			# PCS:	1
			REV:	



CROWN INDUSTRIAL
 So. San Francisco, Ca
 (650) 952-5150
 www.crown-industrial.com



DWG #: 0002149
 DRAWN:BCM 12/1/2015
 SHEET #4
 File: 0002149.idw

ALL DIMENSIONS IN INCHES

THE INFORMATION CONTAINED IN THIS DRAWING IS THE SOLE PROPERTY OF CROWN INDUSTRIAL. ANY REPRODUCTION IN PART OR AS A WHOLE WITHOUT THE WRITTEN PERMISSION OF CROWN INDUSTRIAL IS PROHIBITED.	ID #:	0002150-04	STOCK PART #:	PD7.87
	MATERIAL:			
DESCRIPTION: Piston Damper x 7.87" [200mm]				
FINISH:	Clear Zinc	# PCS:	1	REV:



CROWN INDUSTRIAL
 So. San Francisco, Ca
 (650) 952-5150
www.crown-industrial.com